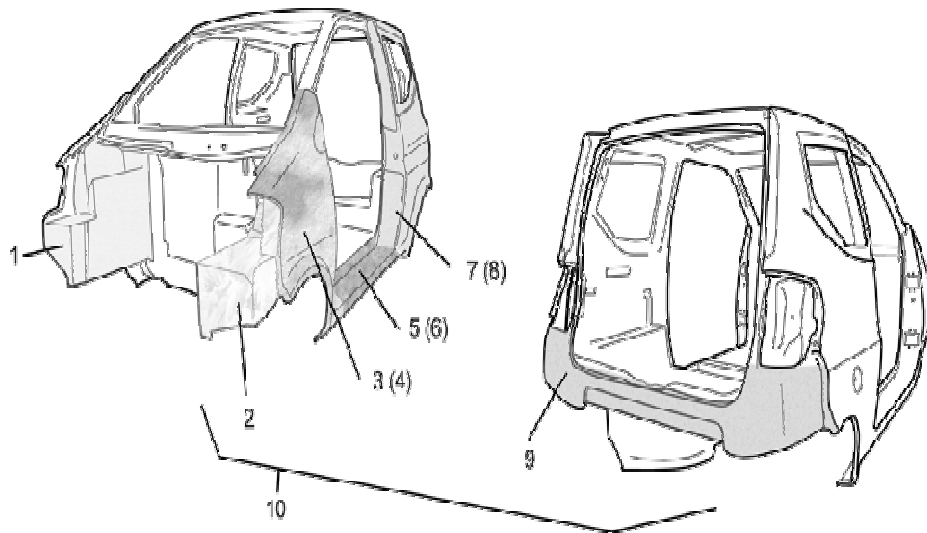


CASALINI M10 SPRÄNGSKISSER MED RESERVDELAR**Bild 1**

POSITION	ARTIKELNUMMER	BESKRIVNING (engelska)1
Casalini kaross		

1	P0060050850	Front Int/RH Mudguard 72
2	P0060050860	FRONT INT/LF MUDGUARD 72
3	P0060050871	Left front cover
4	P0060050881	Right front Cover
5	P0060037690	Outline 10V door LF VTR
6	P0060037700	OUTLINE 10 V/DOOR RH VTR
7	P0060050891	
8	P0060050901	
9	P0060050911	
10	A0039083161	

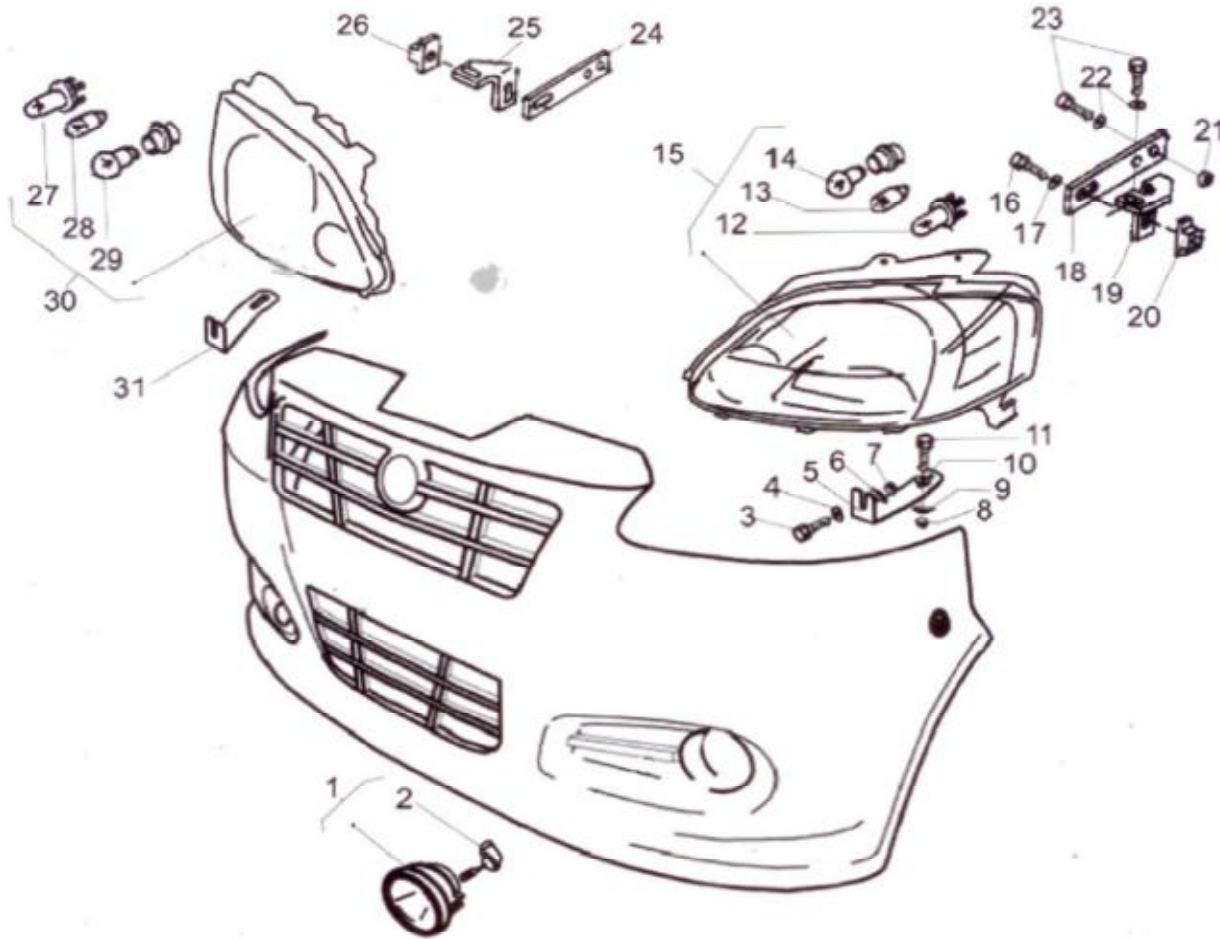


Bild 2; del 1

POSITION	ARTIKELNUMMER	BESKRIVNING	POSITION	ARTIKELNUMMER	BESKRIVNING
1	F2102000046	FOG LIGHT HEADLIGHT 10 M5	16	C0106006016	SCREW TE FI PG ZN 6* 16 5739
2	E0205120027	LAMP 1L/ABP 12/27 FOG LIGHT	17	C0805066180	WASHER BL 6 ZN 6,6*18*2 6593
3	C0106006020	SCREW TE FI PG ZN 6* 20 57	18	P0129036600	FR LIGHT BRACKET 10 RH/LF
4	C0805066180	WASHER BL 6 ZN 6,6*18*2 6593	19	P0129036611	FR LIGHT BRACKET 72 LAT/LF ZN
5	P0129050180	FR LIGHT BRACKET 72 INF/LF NX	20	C0375006008	CAGE NUT ZN M 6*1,6-2,5
6	C0805066180	WASHER BL 6 ZN 6,6*18*2 6593	21	C0370006000	NUT ABN PG ZN M 6/H 8 7473
7	C0370006000	NUT ABN PG ZN M 6/H 8 7473	22	C0805066180	WASHER BL 6 ZN 6,6*18*2 6593
8	C0370006000	NUT ABN PG ZN M 6/H 8 7473	23	C0106006020	SCREW TE FI PG ZN 6* 20 57
9	C0810006002	WASHER BL 6 ZN 6,6*24*2	24	P0129036600	FR LIGHT BRACKET 10 RH/LF
10	C0805066180	WASHER BL 6 ZN 6,6*18*2 6593	25	P0129036621	FR LIGHT BRACKET 72 LAT/RH ZN
11	C0106006030	SCREW TE FI PG ZN 6* 30 5739	26	C0375006008	CAGE NUT ZN M 6*1,6-2,5
12	E0215125560	FRONT QUARTZ-IODINE LAMP	27	E0215125560	FRONT QUARTZ-IODINE LAMP
13	E0202012050	LAMP 12/5	28	E0202012050	LAMP 12/5
14	E0205112021	LAMP 1L/BAU15S 12/21-AMBER	29	E0205112021	LAMP 1L/BAU15S 12/21-AMBER

15	F2102000068	LF FRONT HEADLIGHT 3L 72	30	F2102000069	RH FRONT HEADLIGHT 3L 72
			31	P0129050190	FR LIGHT BRACKET 72 INF/RH NX

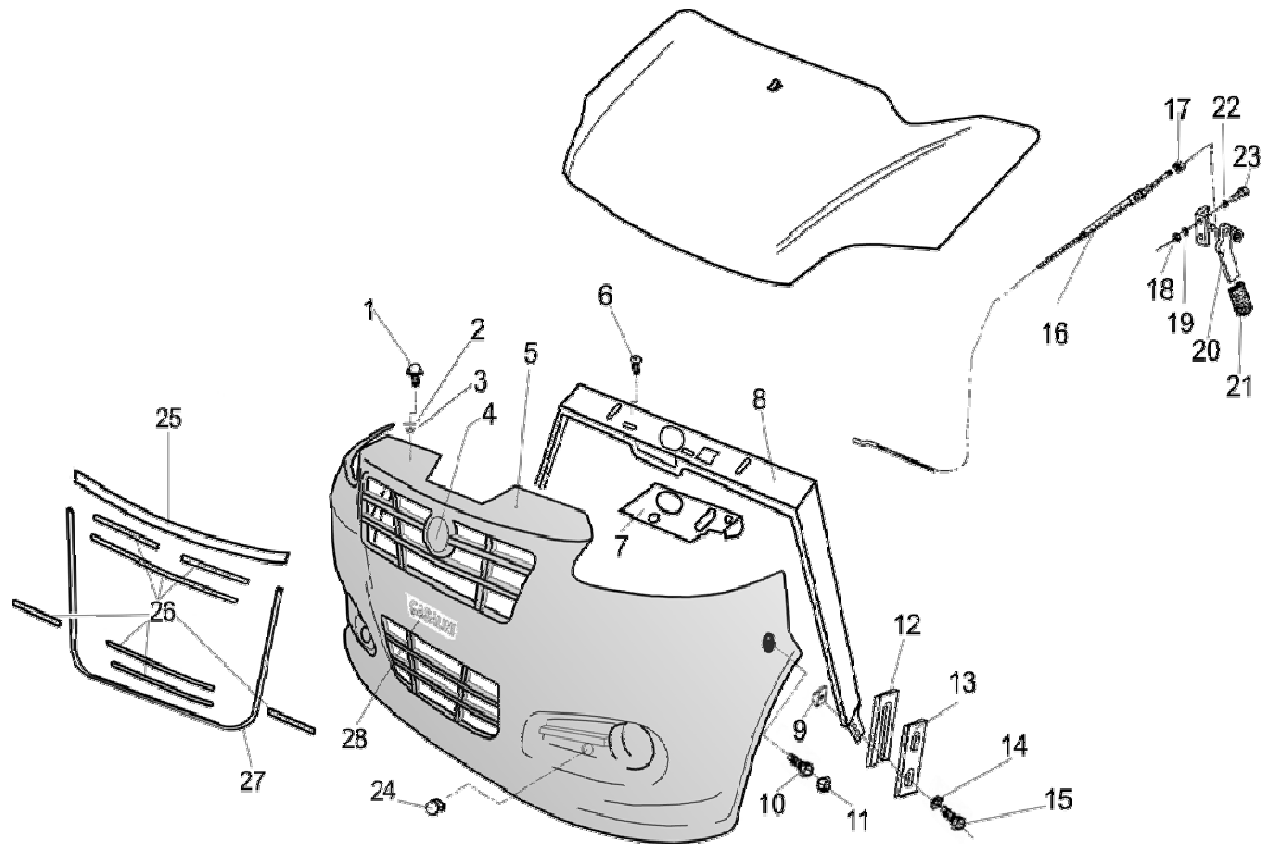


Bild 3

POSITION	ARTIKELNUMMER	BESKRIVNING
1	F2112000010	RUBBER SHUTTER WARD M6*30
2	C0805066180	WASHER BL 6 ZN 6,6*18*2 6593
3	C0373006006	NUT ZIG PG ZN M 6*14 DIN6923
4	P0014049560	ADHESIVE DROP SULKY D59

5	P2060049723	
6	C0230006016	SCREW TBEI FI PG 6* 16 738
7	F2111000013	LOCK 10 FRONT HOOD
8	P0729049710	FR BUMPER BRACKET 72 CF
9	C0375006008	CAGE NUT ZN M 6*1,6-2,5
10	C0106006035	SCREW TE FI PG ZN 6* 35 573
11	C5200006006	PLUG PVCch10D13H6BUMPER10
12	P0121042600	FRONT SHIM 10 AL H4
13	P0160045030	PLATE BUMPER 10
14	C0826006000	SERRATED WASHER 6 8842
15	C0106006025	SCREW TE FI PG ZN 6* 25 5739
16	P0038039631	FR HOOD OPENER CABLE CPL 72
17	C0310006000	NUT EN PG ZN M 6/H 5 5588
18	C0370005000	NUT ABN PG ZN M 5/H 6,3 7473
19	C0805055150	WASHER BL 5 ZN 5,5*15*1,6 65
20	A0132081860	BONNET OPENER LEVER 10 CPL
21	F2159000001	KNOB R20*5
22	C0800053100	WASHER 5 ZN 5,3*11*1,5
23	C0106005025	SCREW TE FI PG ZN 5* 25 5739
24	C5200017007	PLUG PVC 17*23H07 BUMPER 10
25	U9021000572	ADHESIVE TAPE 72 SHUTTER
26	U9021000571	LAT ADHESIVE TAPE 72
27	U9021000574	ADHESIVE TAPE 72 PARA/A

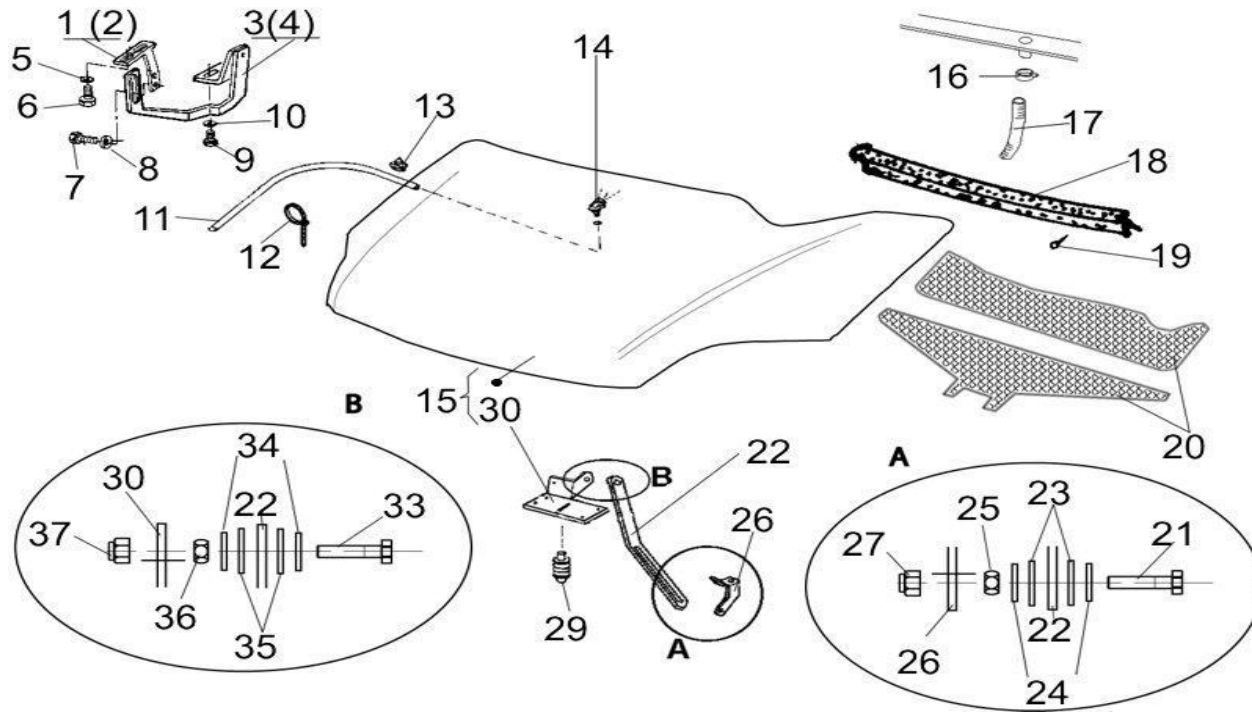


Bild 4

POSITION	ARTIKELNUMMER	BESKRIVNING	POSITION	ARTIKELNUMMER	BESKRIVNING
1	P0717040171	SUP RH HINGE HOOD /FR 10 CF 3	25	C0370006000	NUT ABN PG ZN M 6/H 8 7473
			26	P0729041672	FRONT ROD BRACKET 10
2	P0717040161	SUP LF HINGE HOOD /FR 10 CF 3	27	C0370006000	NUT ABN PG ZN M 6/H 8 7473
3	G9060021331	LF HINGE FRONT HOOD CF 3S	28	P0729041672	FRONT ROD BRACKET 10
4	G9060021341	RH HINGE FR HOOD CF 3S	29	F2111000014	WARD FRONT HOOD 10 PIN
5	C0805066180	WASHER BL 6 ZN 6,6*18*2 6593	30	P0729050430	ROD BRACKET FR72/HOOD
6	C0106006020	SCREW TE FI PG ZN 6* 20 57	31	Finns inte	
7	C0106006016	SCREW TE FI PG ZN 6* 16 5739	32	Finns inte	
8	C0805066180	WASHER BL 6 ZN 6,6*18*2 6593	34 (33)	C0805066180	WASHER BL 6 ZN 6,6*18*2 6593
9	C0106006020	SCREW TE FI PG ZN 6* 20 57	35	P0012045900	VULK WASHER 9*25*3
10	C0805066180	WASHER BL 6 ZN 6,6*18*2 6593	36	C0310006000	NUT EN PG ZN M 6/H 5 5588
11	Z0106004000	TUBE_TRANSP D 4* 6 WIPER	37	C0370006000	NUT ABN PG ZN M 6/H 8 7473
12	E0723005309	CLAMP L140*3,6 5309			
16	C5130018028	SCREW CLAMP 16-27/18-28			

19	C0553029130	SCREW AF TCBIC 2,9*13			
20	P0060050570	SOUNDPROOFING PANEL72 HOOD/MOT			
21	C0106006030	SCREW TE FI PG ZN 6* 30 5739			
22	P0729050280	BRACKET FR/HOOD 72 ROD 1S CF			
23	P0012045900	VULK WASHER 9*25*3			
24	C0810006002	WASHER BL 6 ZN 6,6*24*2			

Bild 5:

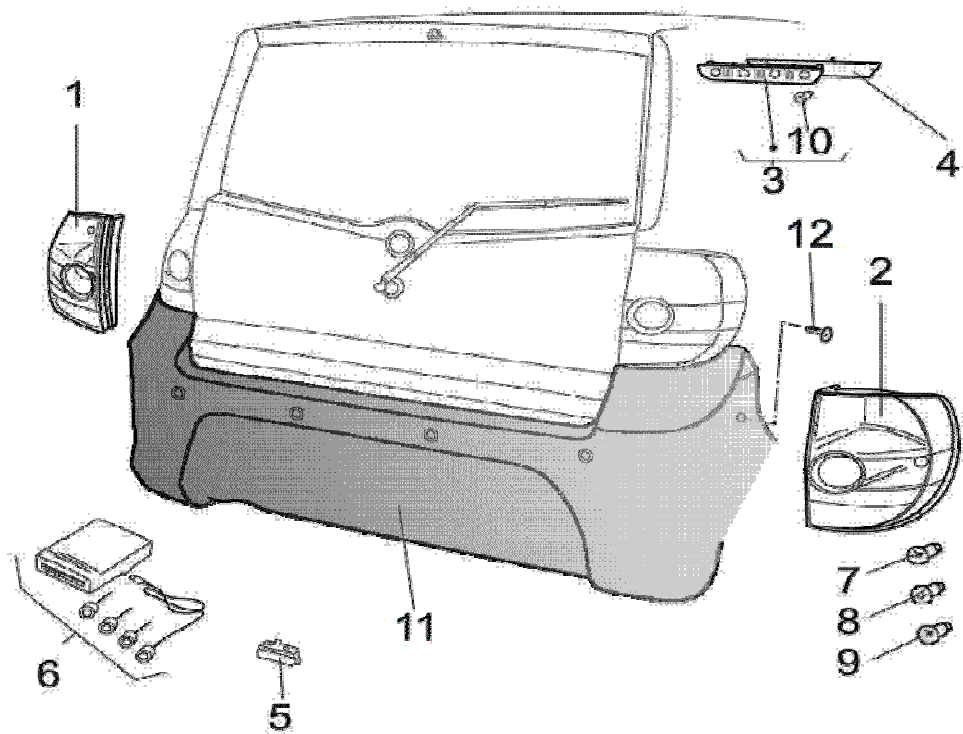


Bild 5:

POSITION	ARTIKELNUMMER	BESKRIVNING
1	F2102000072	Rear light LH
2	F2102000073	Rear light RH
3	F2102000071	BEACON BRAKE
4	P0721050480	SHUTTER CRANKCASE 72 3STOP
5	F2102000035	NUMBER PLATE BULB
6	F2182000139	PARKING SENSOR 2S
7	E0205012021	LAMP 1L/ABP 12/21 REAR/LAMP
8	E0207120521	LAMP 2L/ABP 12/ 5- 21 REAR
9	F2102000070	REAR LAMP 3L 72
10	E0202012050	LAMP 12/5
11	P2060049731	rear cover

Bild 6, Del 1:

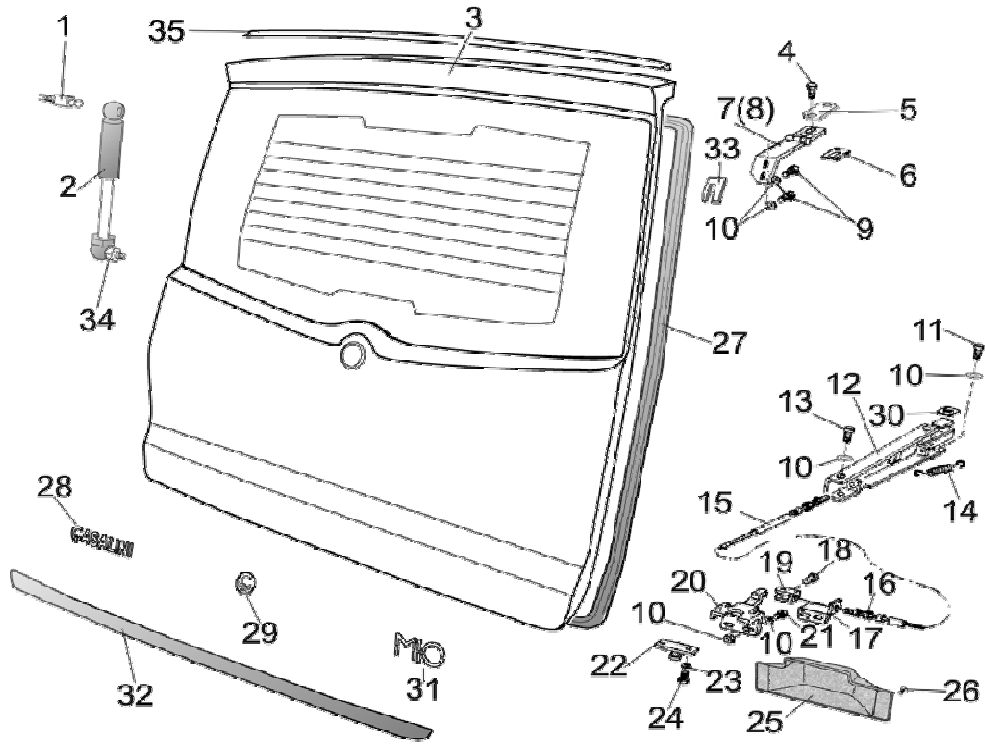


Bild 6, del 1

POSITION	ARTIKELNUMMER	BESKRIVNING	POSITION	ARTIKELNUMMER	BESKRIVNING
1	F2162000505		22	A0160083540	
2	F2162000106	SHUTTER GAS SPRING 10S	23	C0805090240	WASHER BL 8 ZN 9*24*2 6593
3	A0040083001		24	C0106008016	SCREW TE FI PG ZN 8* 16 5739
4	C0230006025	SCREW TBEI FI PG 6* 25 7380	25	P0030037021	CRANKCASE SHUTTER 10 ABS
5	P0129043330	PLATE HINGE/SHUTTER 10	26	C5200109231	PLUG PVC 8*15H19
6	P0121037380	SHUTTER HINGE SHIM 10 AL H20	27	Z0201560136	GASKET 10 SHUTTER ROOM
7	G0727022341	LF SHUTTER HINGE 10 CPL VN 3S	28	P0014041140	STICKER DROP CASALINI
8	G0727022331	RH SHUTTER HINGE 10 CPL VN 3S	29	P0014041120	ROUND ADHESIVE D45 CAS
9	C0106006016	SCREW TE FI PG ZN 6* 16 5739	30	P0014038900	STICKER 10 INT SHUTTER OPENER
10	C0805066180	WASHER BL 6 ZN 6,6*18*2 6593	31	P0014051970	DROP STICKER SULKY/M10
11	C0230006020	SCREW TBEI FI PG 6* 20 7380	32	U9021000572	ADHESIVE TAPE 72 SHUTTER
12	G0129021160	SEAT BRACKET10/INCL LF C/LE VN	33	P0121050710	SHUTTER HINGE SHIM 72 AL H20
13	C0120006025	SCREW TCEI PG ZN 6* 20/25 593	34	F2162000504	ARTICULATION MGAS M8*13D10NI 1
14	P0001003650	SPRING TR/D 8* 37*0,8 DOOR/NE	35	Z0201560142	GASKET 10 DOOR 1S

14	P0001003650	SPRING TR/D 8* 37*0,8 DOOR/NE			
15	P0038050490	SHUTTER-OPENER CABLE CPL 72			
16	F2157000002	REGISTER M6*20/28 D7 CH8			
17	P0129037010	FASTENER CABLE SHUTTER OPENER			
18	F2156000108	TERMINAL			
19	P0123010540	PEDALS FORK ZN			
20	P0041036830	LOCK 10 SHUTTER CPL			
21	C0106006025	SCREW TE FI PG ZN 6* 25 5739			

Bild 6 del 2:

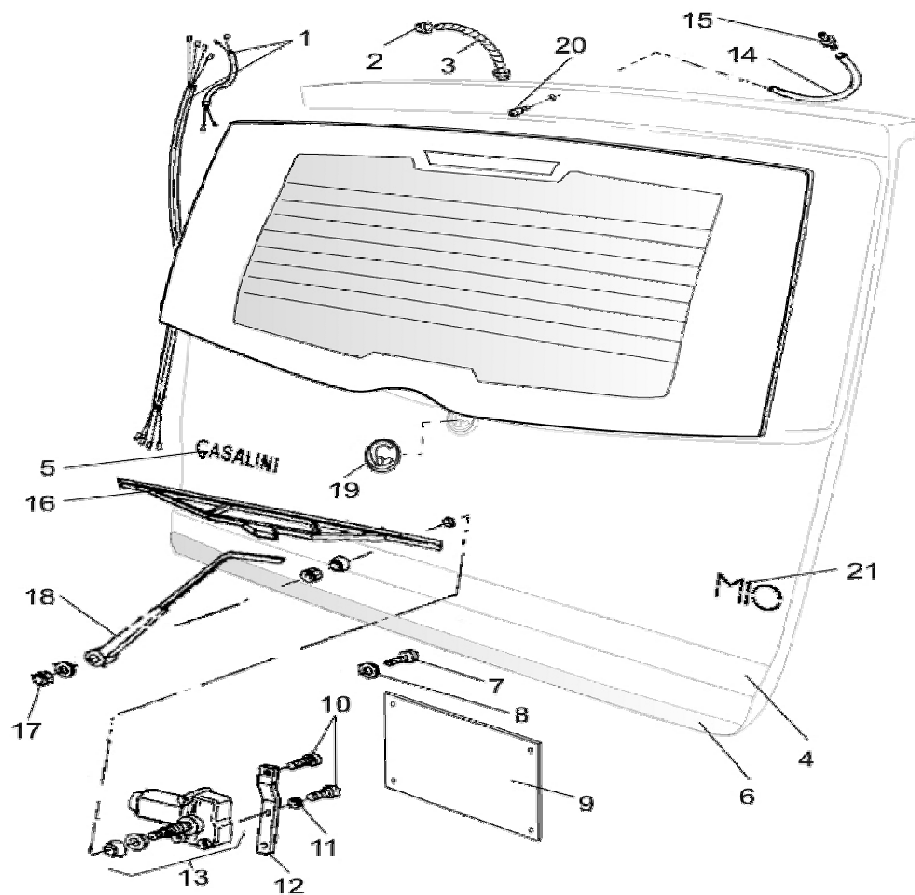


Bild 6, del 2

POSITION	ARTIKELNUMMER	BESKRIVNING	POSITION	ARTIKELNUMMER	BESKRIVNING
----------	---------------	-------------	----------	---------------	-------------

1	P0060050061	FRAME WIRING 72 SHUTTER	5	P0014041140	STICKER DROP CASALINI
2	F0114000024	CHOCK D24/14H30 RUBBER	6	U9021000572	ADHESIVE TAPE 72 SHUTTER
3	E0721113000	SHEATH_ELECTRIC CABLE D13 SP	7	C0156004020	SCREW TCID FI PG NY 4* 20 DIN8
4	A0040083001		8	C0835174260	COUNTERSUNK WASHER
9	P0721050471		15	F0141000031	WIPER TUBE UNION 2V
10	C0130006012	SCREW TSPEI FI PG ZN 6* 12 593	16	F0141000041	
11	C0826006000	SERRATED WASHER 6 8842	17	C0310008000	NUT EN PG ZN M 8/H 6,5 5588
12	P0129051800		18	F0141000040	
13	F0141000027	WIPER BLADE ENGINE	19	P0014041121	DROP ROUND ADHESIVE D53
14	Z0106004000	TUBE_TRANSP D 4* 6 WIPER	20	F0141000030	REAR WIPER SPRAYER
			21	P0014051970	DROP STICKER SULKY/M10

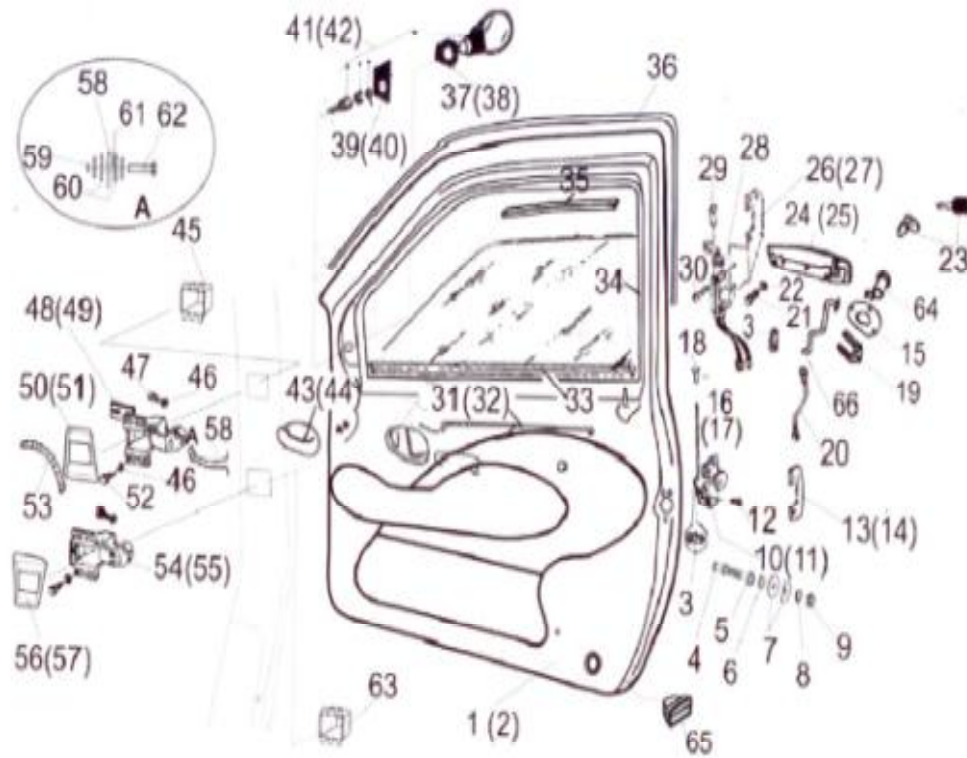


Bild 7, del 1:

Bild 7, del 1

POSITION	ARTIKELNUMMER	BESKRIVNING	POSITION	ARTIKELNUMMER	BESKRIVNING
1	A0040082320		32	P0125045350	INT RH DOOR OPENER TIE ROD 2S
			33	P0121038000	DOOR STIFFENING 10 CF
2	A0040082310		34	Z0209931000	GASKET 10/SRL GLASS/DOOR
3	F2178000100	SPRING PVC TIR/SAFETY SRL	35	P0021050960	Gasket
4	F2111000011	DOOR WARD 10	36	P0125035600	LF DOOR OPEN TIE ROD 10 SAFETY
5	P0110003570	SPACER D20*3H 4 ZN	37	P0014042030	EXT LF BLACK MIRROR ADHES
6	C0800130240	WASHER 12 ZN 13*24*2,5 6592	38	P0014042020	EXT RH BLACK MIRROR ADHES
7	P0112038950	WASHER 12*50*3 10 ZN	39	P0014042210	INT LF BLACK MIRROR ADHES
8	C0826012000	NUT EB PF ZN M12*1,25H7 5589	40	P0014042020	EXT RH BLACK MIRROR ADHES
9	C0323012000	NUT EB PF ZN M12*1,25H7 5589	41	Se bilderna nedan	
10	P0041051380		42	Se bilderna nedan	
11	P0041051390	LOCK 72 RH DOOR CPL	43	F2111000019	INT DOOR-OPENER LEVER LF 2S
12	C0573006016	SCREW TBLI Combi ZN 6*16	44	F2111000020	INT DOOR-OPENER LEVER RH 2S
13	P0121042360	LF PLATE DOOR LOCK 10	45	P0060051600	
14	P0121042370	RH PLATE DOOR LOCK 10	46	C0805066180	WASHER BL 6 ZN 6,6*18*2 6593
15	P0021050960		47	C0106006030	SCREW TE FI PG ZN 6* 30 5739
16	P0125035600	LF DOOR OPEN TIE ROD 10 SAFETY	48	A0717083340	

17	P0125035601	RH DOOR OPEN TIE ROD 10 SAFETY	49	A0717083350	
18	F0538000101	SAFETY KNOB	50	P0060042580	INT LF WHEEL COVER DOOR 10
19	F2111000025		51	P0060042560	INT WHEEL COVER DOOR 10 ABS
20	G0125023490		52	C0106006035	
21	C0106005010		53	E0721113000	SHEATH_ELECTRIC CABLE D13 SP
22	C0800053100	WASHER 5 ZN 5,3*11*1,5	54	A0717083320	
23	F0489000102	LOCKS SET 10	55	A0717083330	
24	F2112000016		56	P0060042590	INT LF WHEEL COVER DOOR 10
25	F2112000015		57	P0060042570	INT WHEEL COVER DOOR 10 ABS
26	P0129039690	LF CENTRAL /CLOSING BRACKET	58	P0101042310	SPRING DOOR LOCK 10 ZN
27	P0129039700	RH CENTRAL/CLOSING BRACKET	59	C0370005000	NUT ABN PG ZN M 5/H 6,3 7473
28	F0644000101	ACTUATOR LOCKUP	60	P0012045900	VULK WASHER 9*25*3
29	P0125040270	CENTR LOCK UP TIE ROD 10	61	P0102042441	SPACER D10*2,5H12F/DOOR 10 TT
30	C0552042250	SCREW AF TCBIC NI 4,2*19/26	62	C0160005025	SCREW TSPID FI PG ZN 5* 25 610
31	P0125045340	INT LF DOOR OPENER TIE ROD 2S	63	P0060051610	
			64	F0489000121	
			65	F2115000006	
			66	P0125051170	





Position 41 och 42 från bild 7, del 1

POSITION	ARTIKELNUMMER	BESKRIVNING
Översta bilden	1	F2114000031 EXT LF DOORMIRROR 10 3S BLACK
	2	F2114000032 EXT RH DOORMIRROR 10 3S BLACK
Nedersta bilden	1	F2114000049 EXT LF DOORMIRROR 72 CPL
	2	F2114000048 EXT RH DOORMIRROR 72 CPL

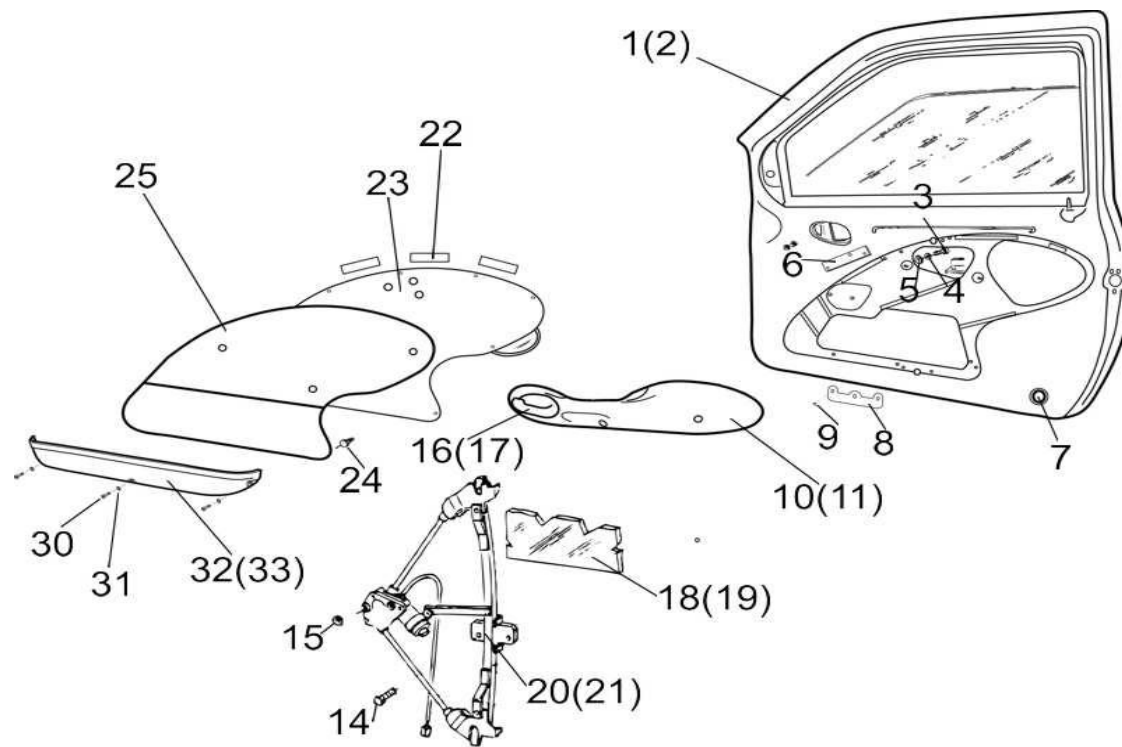


Bild 7: del 2

POSITION	ARTIKELNUMMER	BESKRIVNING
1	A0040082320	
2	A0040082310	
3	C0106005025	SCREW TE FI PG ZN 5* 25 5739
4	C0800053100	WASHER 5 ZN 5,3*11*1,5
5	C0310005000	NUT EN PG ZN M 5/H 4 5588
6	P0121045741	PLATE ALZAC FIS M5SUP2S NX
7	P0014045510	STICKER 10 REFLECT/DOOR 2S
8	P0121045751	PLATE ALZAC FIS M5INF2S NX
9	C5000048100	RIVET TN AL/ZN 4,8*12
10	F2111000021	INT LF HANDLE 10 3S
11	F2111000022	INT RH HANDLE 10 3S
14	C0220006012	SCREW TB LIC FI PG 6* 12 KFR
15	C0373006006	NUT ZIG PG ZN M 6*14 DIN6923
16	F2111000019	INT DOOR-OPENER LEVER LF 2S
17	F2111000020	INT DOOR-OPENER LEVER RH 2S
18	U9021000515	FR/REAR GLASSES PACKING 105*6
19	U9021000515	FR/REAR GLASSES PACKING 105*6
20	F2182000131	LF WINDOW REGULATOR 10 2S
21	F2182000132	RH WINDOW REGULATOR 10 2S
22	P0060045180	DOOR PANEL 10 2S
25	se sep bild	Door panel
24	C5200009020	PLUG PVC 9*18H20 INT 10
30	C0175004020	SCREW TCIC FI PG 4* 20 7985

POSITION	ARTIKELNUMMER	BESKRIVNING
31	C0835174260	COUNTERSUNK WASHER
32	P0060045371	
33	P0060045381	
Paneler	position 25	
Bild 1	Artikelnummer	Beskrivning
1	P0060047830	LF DOOR PANEL 10.4S MX (svart/grå)
2	P0060047840	RH DOOR PANEL 10.4S MX (svart/grå)
Bild 2	1	P0060047970 DOOR PANEL 10.4S BT LF
	2	P0060047980 DOOR PANEL 10.4S BT RH

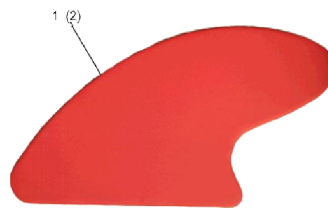
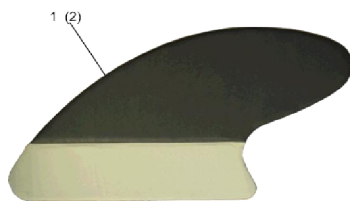
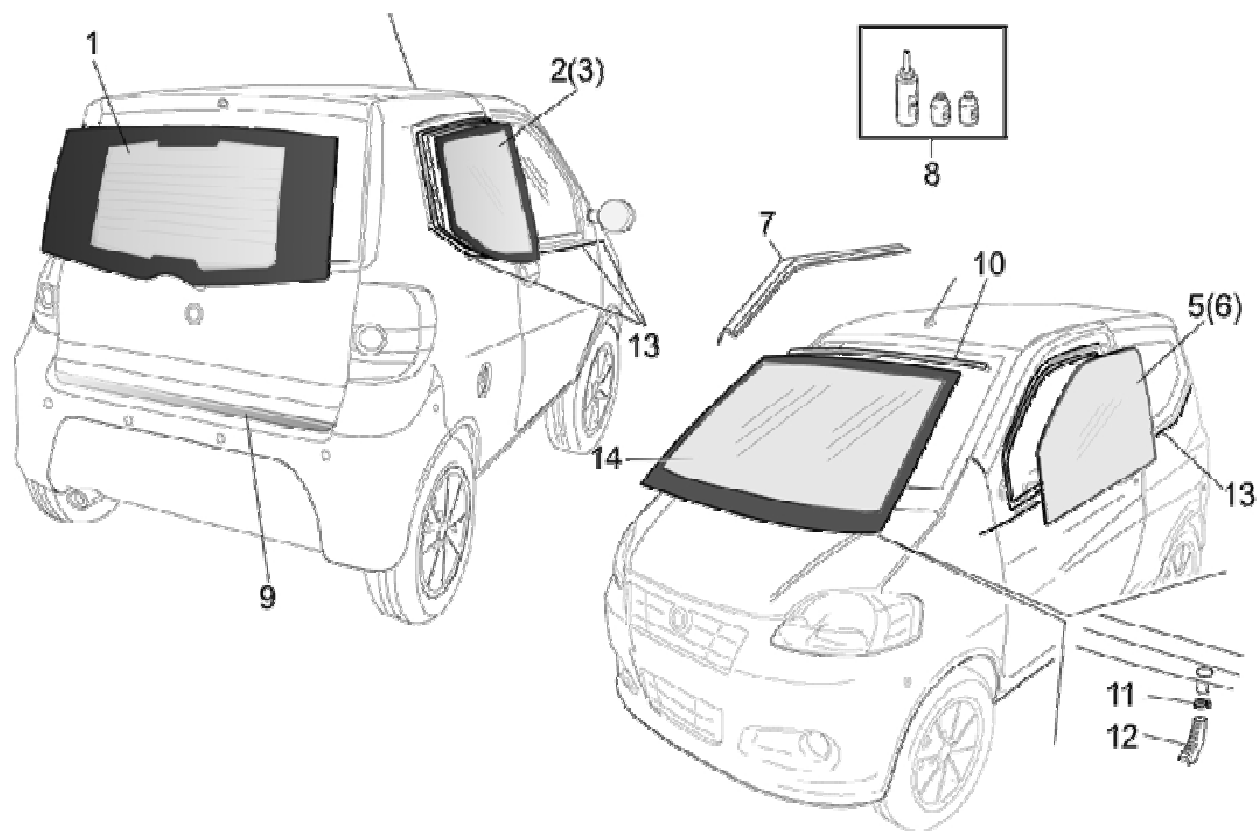


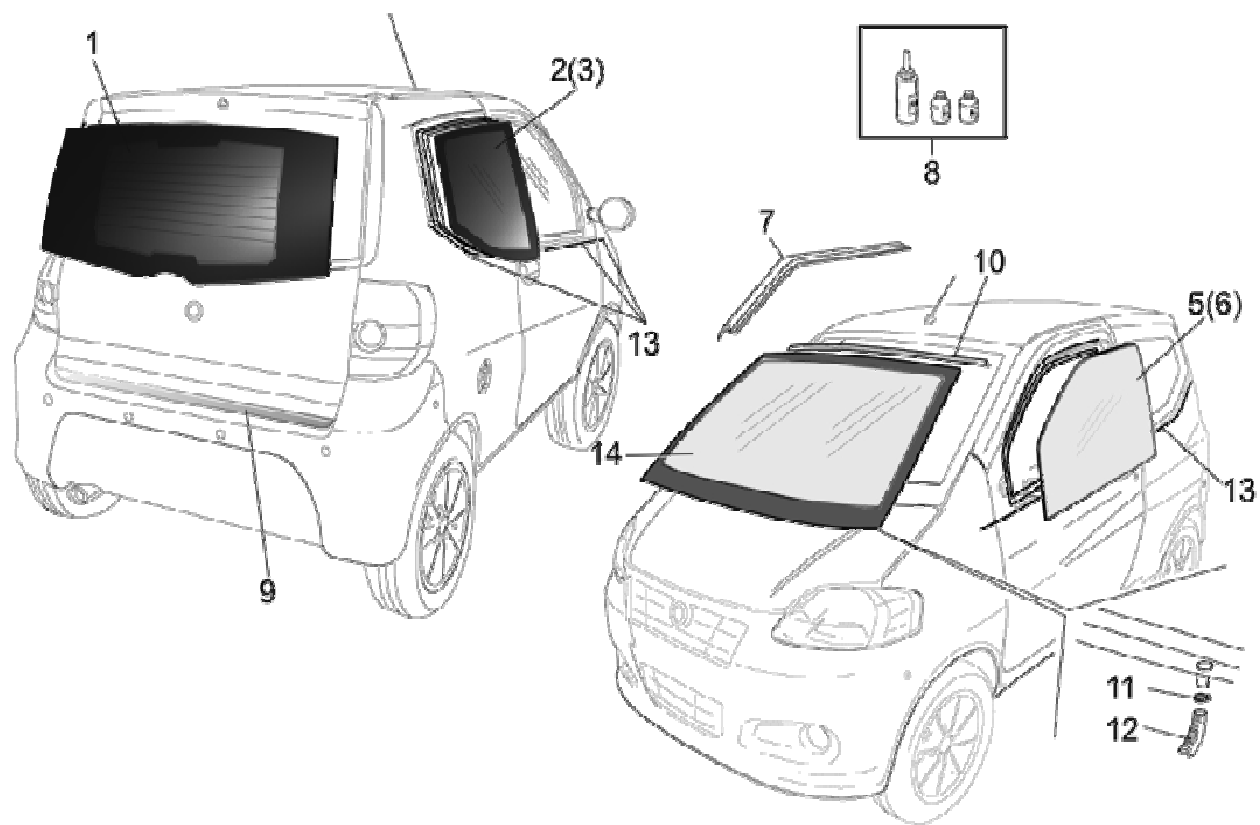
Bild 8



POSITION	ARTIKELNUMMER	BESKRIVNING
1	U9021000518	FR/REAR GLASSES PACKING 120*70
1	P0019051510	Back window
2	P0019051530	Right hand side window

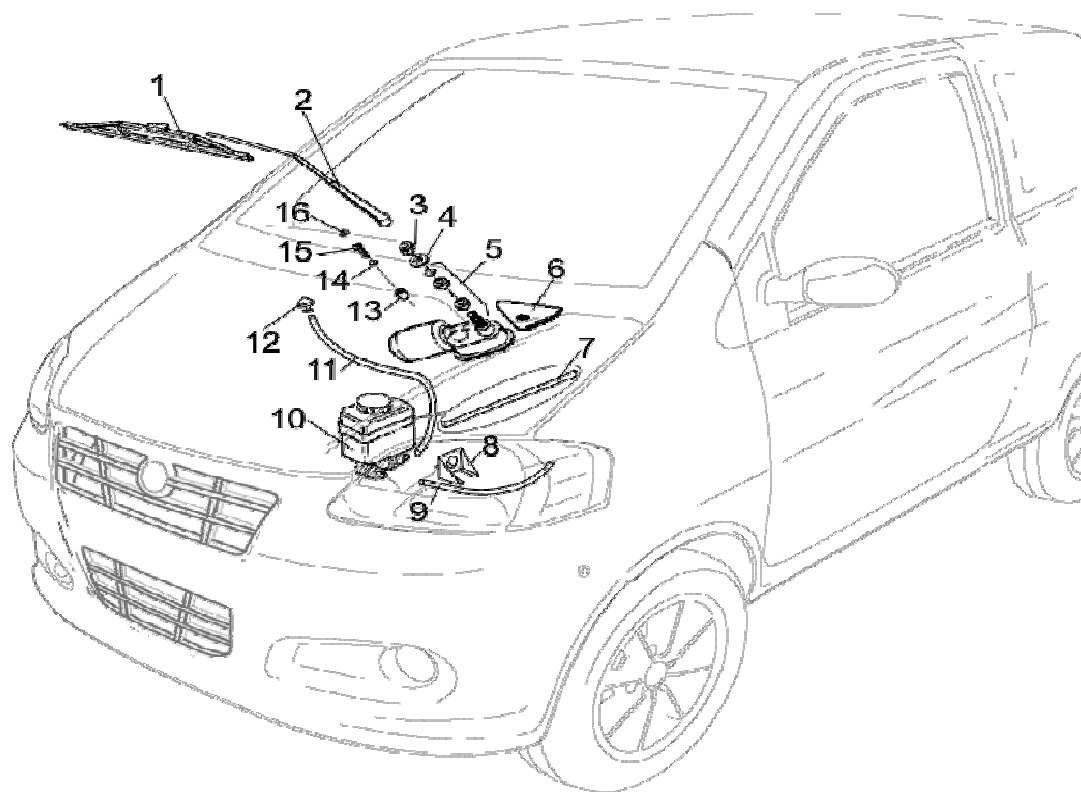
POSITION	ARTIKELNUMMER	BESKRIVNING
3	P0019051520	Left hand side window
5	U9021000515	FR/REAR GLASSES PACKING 105*6
6	U9021000515	FR/REAR GLASSES PACKING 105*6
7	P0040048440	GASKET 12 DROPBREAKER
8	G0060000013	
9	U9021000572	ADHESIVE TAPE 72 SHUTTER
10	P0040050440	GASKET 72 GLASS L 990 FRONT
11	C5130018028	SCREW CLAMP 16-27/18-28
12	Z0101020000	TUBE_SPR D20 EXHAUST H2O 10
13	U9021000574	ADHESIVE TAPE 72 PARA/A
14	P0019049750	FR GLASS 72 STRATIF/GREEN

Bild 8, del 2



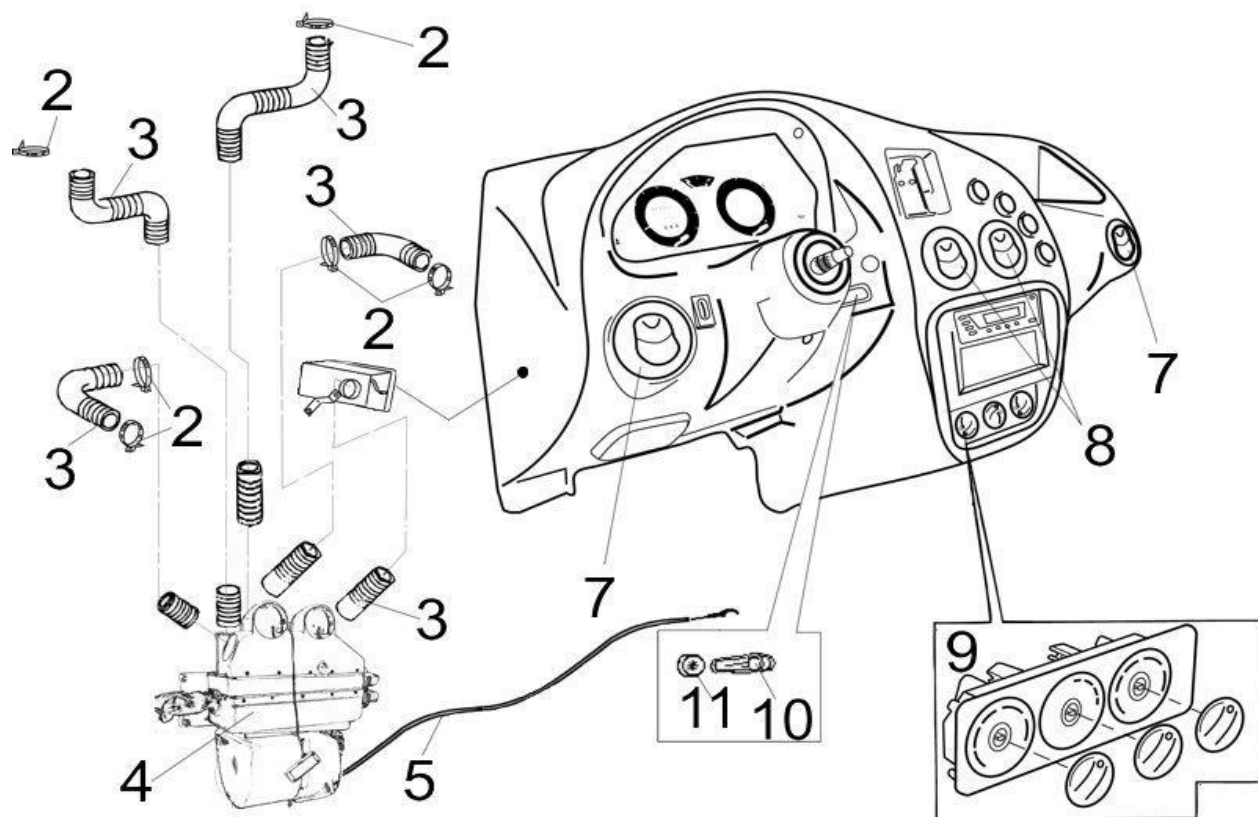
POSITION	ARTIKELNUMMER	BESKRIVNING
1	P0019051511	
2	U9021000518	FR/REAR GLASSES PACKING 120*70
3	U9021000515	FR/REAR GLASSES PACKING 105*6
4	U9021000515	FR/REAR GLASSES PACKING 105*6
5	P0019041950	LF DOOR GLASS 10 GREEN
6	P0019041960	RH DOOR GLASS 10 GREEN
7	P0040048440	GASKET 12 DROPBREAKER
8	G0060000013	
9	U9021000572	ADHESIVE TAPE 72 SHUTTER
10	P0040050440	GASKET 72 GLASS L 990 FRONT
11	C5130018028	SCREW CLAMP 16-27/18-28
12	Z0101020000	TUBE_SPR D20 EXHAUST H2O 10
13	U9021000574	ADHESIVE TAPE 72 PARA/A
14	U9021000517	FR GLASSES PACKING 10 BOX

Bild 9



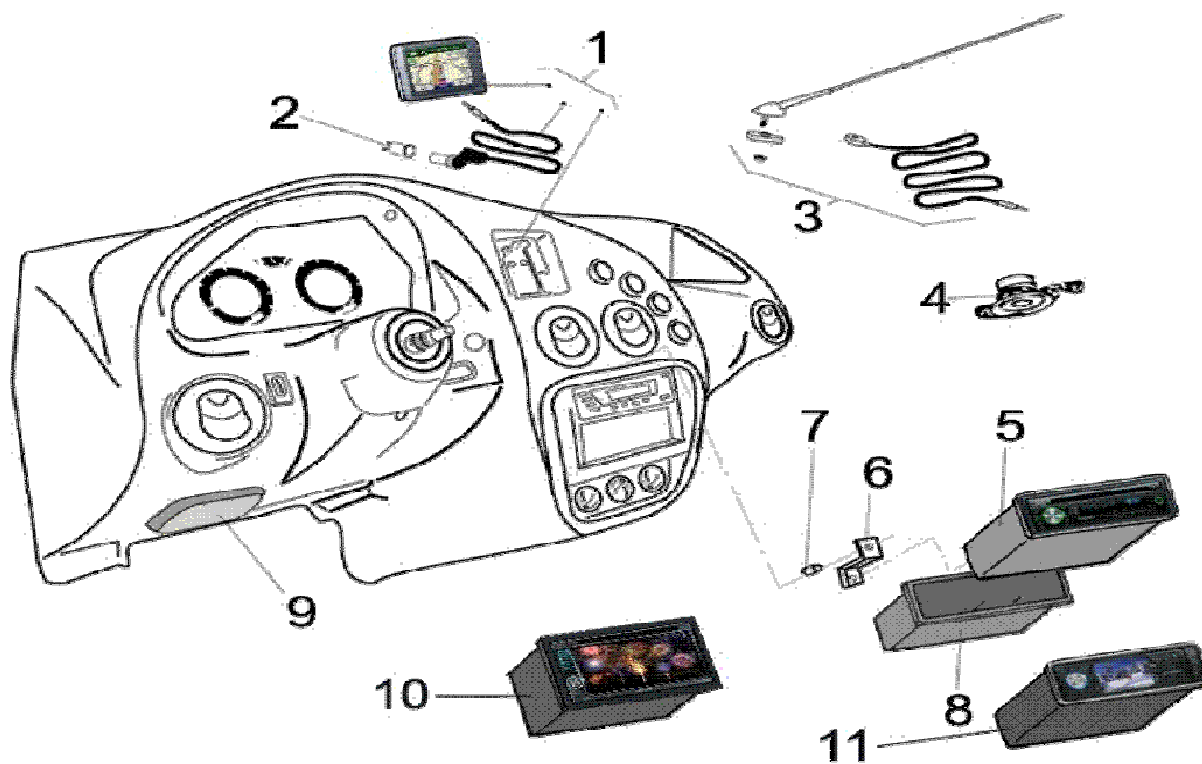
POSITION	ARTIKELNUMMER	BESKRIVNING
1	F0141000021	WIPER BRUSH L600 10A
2	F0141000037	WIPER ARM 10 FRONT 2S
3	C0321016000	NUT EB PF ZN M16*1,5H 8 5589
4	C0816008000	GROWER WASHER GR/ZN 8
5	F0141000036	FRONT WIPER BLADE ENGINE 1B/3V
6	P0014037510	BLACK STICKER 10 WIPER
7	P0129042101	BAND 10/72 LZ
8	P0129043721	TANK/WIPER BRACKET 10/72 ZN
9	Z0106004000	TUBE_TRANSP D 4* 6 WIPER
10	F2182000109	STIFF WIPER TANK 2V/LT 1,5
11	Z0106004000	TUBE_TRANSP D 4* 6 WIPER
12	F2181000100	WIPER SPRAYER
13	P0110001850	SPACER D16*3,5H 8 SUP/DIF10
14	C0807066180	WASHER BL 6 NX 6,6*18*2 6593
15	C0110006030	SCREW TE FI PG NX 6* 305739
16	C5200006006	PLUG PVCch10D13H6BUMPER10

Bild 10, del 1:



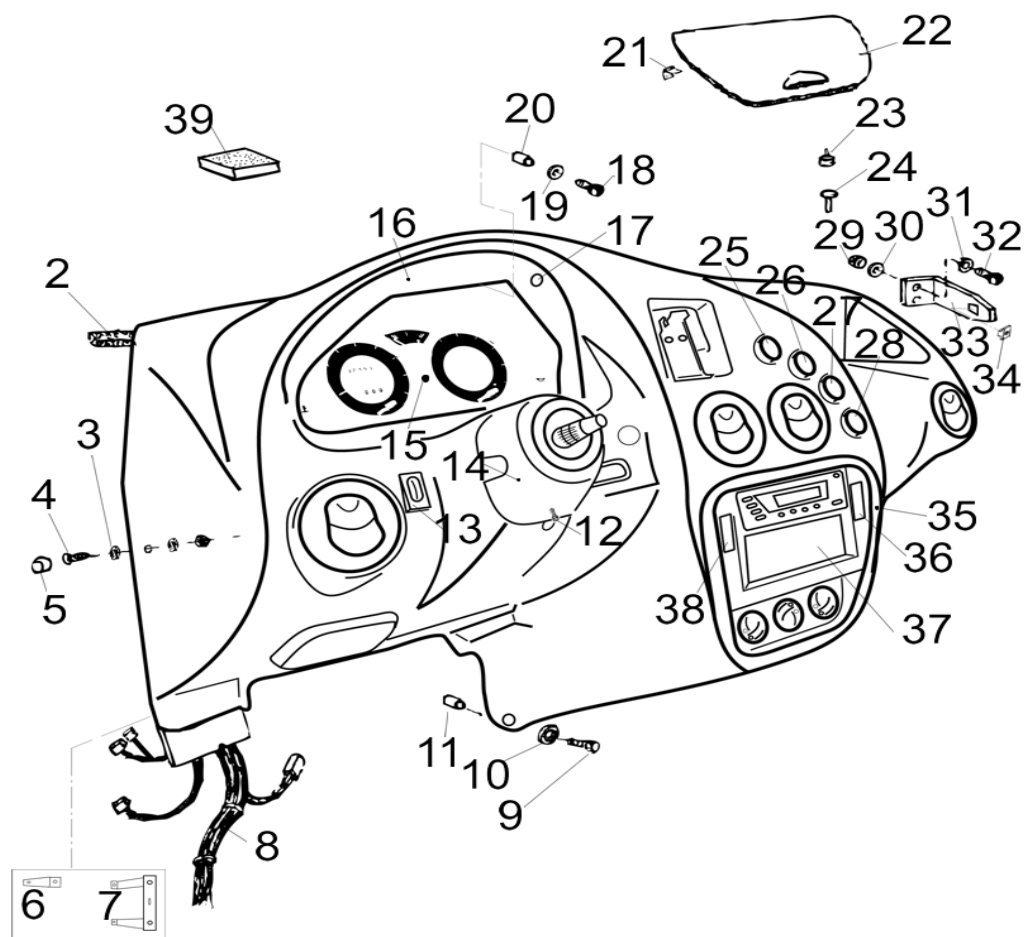
POSITION	ARTIKELNUMMER	BESKRIVNING
2 (överst)	C5130051055	SCREW CLAMP 40-60 DALW2
2	C5130051055	SCREW CLAMP 40-60 DALW2
2	C5130051055	SCREW CLAMP 40-60 DALW2
2	C5130051055	SCREW CLAMP 40-60 DALW2
3 (överst)	Z0101050001	FLEX TUBE D60 AERIFICATION 20
3(överst t v)	Z0101050001	FLEX TUBE D60 AERIFICATION 20
3	Z0101050001	FLEX TUBE D60 AERIFICATION 20
3	Z0101050001	FLEX TUBE D60 AERIFICATION 20
3	Z0101050001	Z0101050001
4	F2105000235	FAN 10 C/RADIAT CLIMATE
5	P0038042800	HEATING CABLE CPL 10 CLIMATE
7	F0475000106	AIR SELVAGE 72/LAT CROM
8	F0475000105	AIR SELVAGE 72/CENTR CROM
9	F2105000248	CONTROL LEVER 72 3POM
10	F2105000243	CONTROL LEVER CL CPL+ACC
11	F2105000214	CLIMATE REGULATOR C/RIM

Bild 10, del 2:



POSITION	ARTIKELNUMMER	BESKRIVNING
1	F2184000025	
2	F2168000100	
3	F2184000023	ROOF AERIAL
4	F2184000008	SPEAKER 10 CPL
5	F2184000013	RADIO CAR SET 10 TAPE
6	P0129050630	AUTORADIO BRACKET 72 LZ
7	C5001048070	
8	F2113000005	OBJECTHOLDERS DASH BOARD 72
9	F2184000006	
10	F2184000026	CAR RADIO SET 72 DVD C/FRONT 6
11	F2184000024	CAR RADIO SET 72 DVD 1S

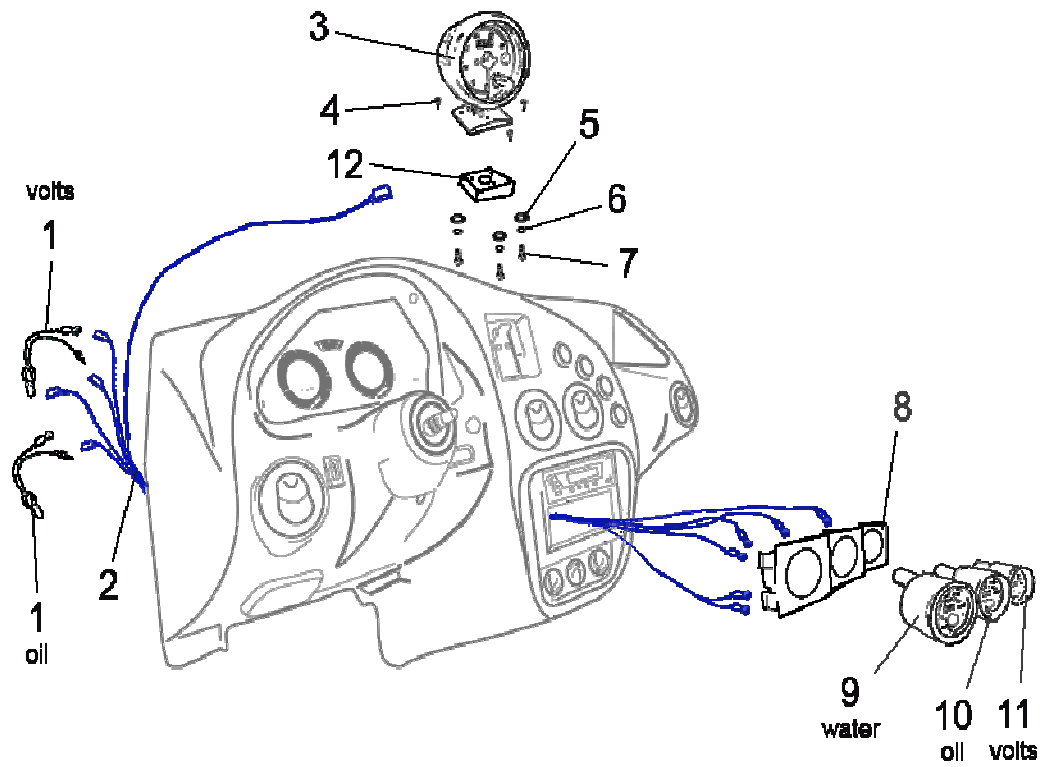
Bild 10, del 3



POSITION	ARTIKELNUMMER	BESKRIVNING	POSITION	ARTIKELNUMMER	BESKRIVNING
2	Z0207025005	GASKET ADHESIVE BALL 200*050	19	C0835174260	COUNTERSUNK WASHER
3	C0805066180	WASHER BL 6 ZN 6,6*18*2 6593	20	C5010004005	THREAD RIVET TC M4*10,5
4	C0106006016	SCREW TE FI PG ZN 6* 16 5739	21	F2120000005	HINGE BACK COVER DASHBOARD 10
5	C5200006006	PLUG PVCch10D13H6BUMPER10	22	A0060083030	DASH BOARD DOOR 72
6	P0129041040	LF FUSE CARRIER BRACKET 10 CT/	23	F2120000006	MAGNET 3 KG DASH BOARD DOOR
7	P0129041010	RH FUSE CARRIER BRACKET 10 CT/	24	C0563022095	SCREW AF TSPID NX 2,0*13,0
8	P0060050050	DASHBOARD WIRING 72	25	E0603000111	EMERGENCY REGULATOR 72
9	C0175004020	SCREW TCIC FI PG 4* 20 7985	26	E0603000109	LIGHT REGULATOR
10	C0835174260	COUNTERSUNK WASHER	27	E0603000112	LIGHT REGULATOR
11	C5010004007	RIVET M4 TC h13,25	28	E0603000110	REGULATOR
12	C0552039064	SCREW AF TCBIC NI 3,9* 6,4 695	29	C0370006000	NUT ABN PG ZN M 6/H 8 7473
13	E0603000120	LIGHT ADJUSTMENT BUTTON 72	30	C0810006002	WASHER BL 6 ZN 6,6*24*2
14	P0030011670	CRANKCASE ABS 72	31	C0805066180	WASHER BL 6 ZN 6,6*18*2 6593
15	F0499000112	DASH BOARD JAEGER DIGITAL 72 1	32	C0106006025	SCREW TE FI PG ZN 6* 25 5739
16	P0029049980	RIM ABS DASHBOARD/JAEGER 72	33	P0121033710	DASH BOARD BRACKET 10 ZN
17	C5200109231	PLUG PVC 8*15H19	34	C0375006008	CAGE NUT ZN M 6*1,6-2,5

POSITION	ARTIKELNUMMER	BESKRIVNING	POSITION	ARTIKELNUMMER	BESKRIVNING
18	C0156004020	SCREW TCID FI PG NY 4* 20 DIN8	35	F2184000019	RIM ABS DASHBOARD/CENTR 72
			36	F2184000021	RH PLUG PVC INT DASH B 72

Bild 10 del 4



POSITION	ARTIKELNUMMER	BESKRIVNING
1	F0089000014	
2	P0060053760	
3	F0499000201	

POSITION	ARTIKELNUMMER	BESKRIVNING
4	C0230004012	
5	C0805066180	WASHER BL 6 ZN 6,6*18*2 6593
6	C0816005000	
7	C0106005012	
8	F0499000204	
9	F0499000203	vattenmätare
10	F0499000200	oljetrycksmätare
11	saknas	voltmätare

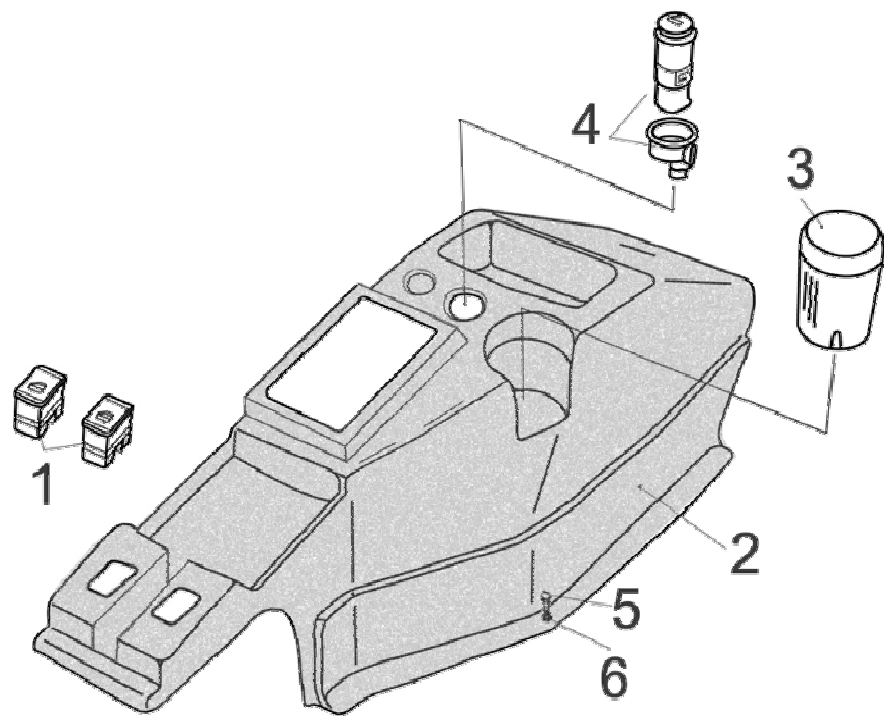


Bild 11

POSITION	ARTIKELNUMMER	BESKRIVNING
1	E0603000113	WINDOW REGULATOR SWITCH 72
2	P0730050412	
3	F2121000003	ASHTRAY 10/12/72 2S
4	F2168000102	ELECTRIC LIGHTER CPL
5	C0563039130	SCREW AF TSPIC ZN 3,9*13
6	C0835174260	COUNTERSUNK WASHER

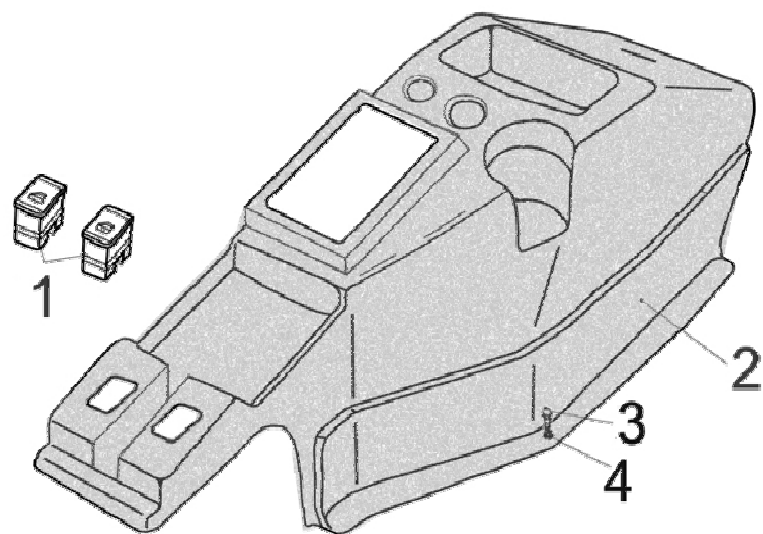
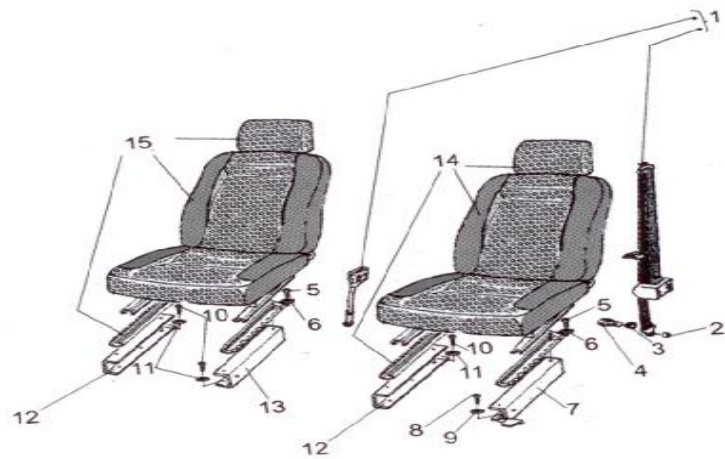


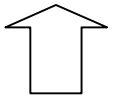
Bild 11, del 2

POSTION	ARTIKELNUMMER	BESKRIVNING
1	E0603000114	INT PLUG PVC 72
2	P0730050413	
3	C0563039130	SCREW AF TSPIC ZN 3,9*13
4	C0835174260	COUNTERSUNK WASHER

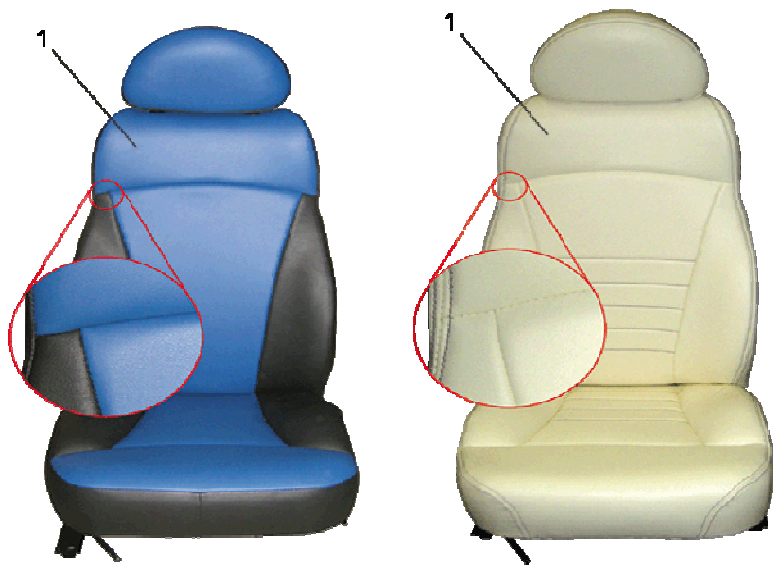
Bild 12, del 1



POSITION	ARTIKEINUMMER	BESKRIVNING
1	F2122000003	SINGLE SEAT BELT
2	C0370010000	NUT ABN PG ZN M10/H11,5 7473
3	C0826010000	SERRATED WASHER D10,5 ZN 8842
4	C0100010055	SCREW TE FM PG ZN 10* 55
5	C0120006016	SCREW TCEI PG ZN 6* 16 5931
6	C0800064125	WASHER 6 ZN 6,4*12,5*1,6 659
7	G0129021160	SEAT BRACKET10/INCL LF C/LE VN
8	C0230006020	SCREW TBEI FI PG 6* 20 7380
9	C0805066180	WASHER BL 6 ZN 6,6*18*2 6593
10	C0120006025	SCREW TCEI PG ZN 6* 20/25 593
11	C0805066180	WASHER BL 6 ZN 6,6*18*2 6593
12	P0729038300	SEAT BRACKET 10/INCL RH VN
13	P0729038290	SEAT BRACKET 10/INCL LF VN
14	Se bilder nedan	
15	Se bilder nedan	



				F2117000064	F2117000067	SEAT 10 BT CPL REG1s LF
1	F2117000054	SEAT 10 MX CPL REG2s LF	F2117000056			



F211700069

F211700073

Bild 12, del 2



POSITION	ARTIKELNUMMER	BESKRIVNING
1	F2122000007	
2	C0370010000	NUT ABN PG ZN M10/H11,5 7473
3	C0826010000	SERRATED WASHER D10,5 ZN 8842
4	C0100010055	SCREW TE FM PG ZN 10* 55
5	C0120006016	SCREW TCEI PG ZN 6* 16 5931
6	C0800064125	WASHER 6 ZN 6,4*12,5*1,6 659
7	G0129021160	SEAT BRACKET10/INCL LF C/LE VN
8	C0230006020	SCREW TBEI FI PG 6* 20 7380
9	C0805066180	WASHER BL 6 ZN 6,6*18*2 6593
10	C0120006025	SCREW TCEI PG ZN 6* 20/25 593
11	C0805066180	WASHER BL 6 ZN 6,6*18*2 6593
12	P0729038300	SEAT BRACKET 10/INCL RH VN
13	P0729038290	SEAT BRACKET 10/INCL LF VN
14	F2117000174	
15	P0721053460	
16	F2117000175	

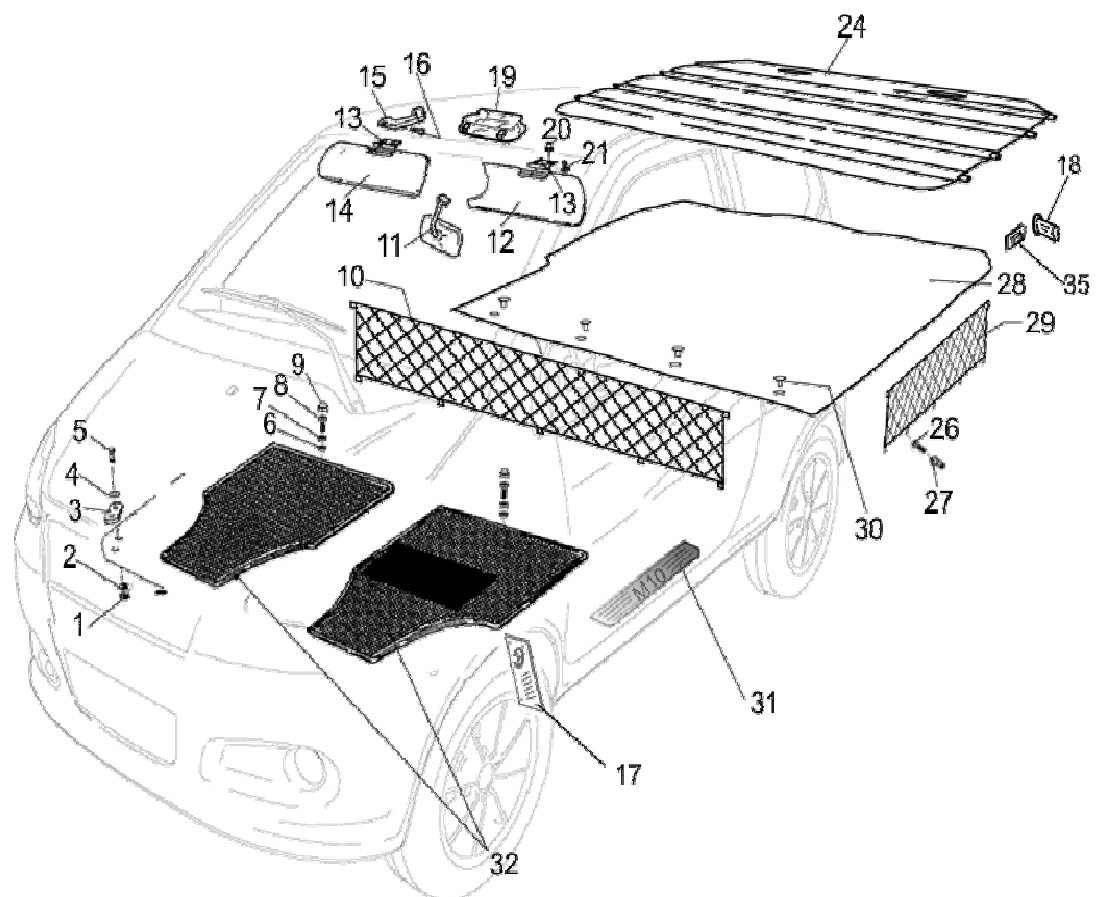
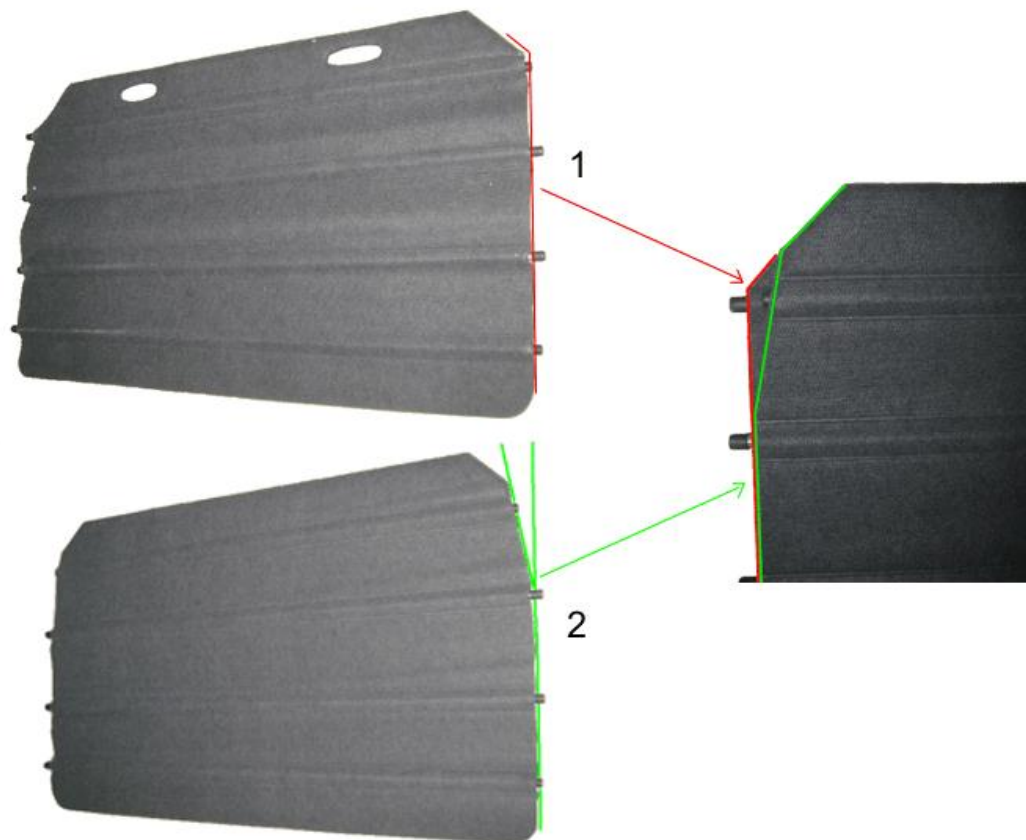


Bild 13, del 1:

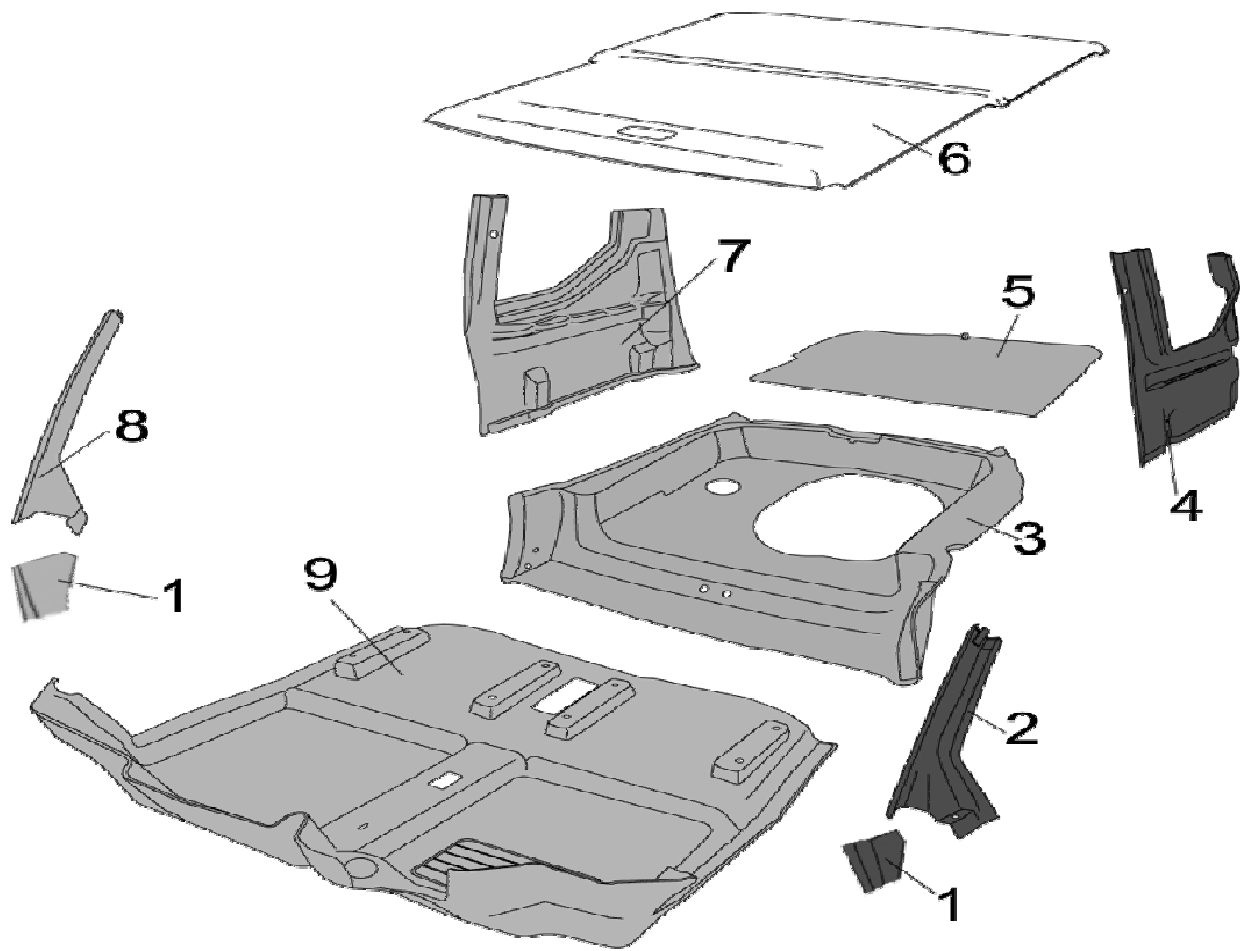
POSITION	ARTIKELNUMMER	BESKRIVNING	POSITION	ARTIKELNUMMER	BESKRIVNING
1	C0370008000	NUT ABN PG ZN M 8/H 9,5 7473	17	P0121051420	
2	C0805090240	WASHER BL 8 ZN 9*24*2 6593	18	F2168000103	
3	P0136037331	FRAME STIFFENING 10 AL	19	F2115000004	CEILING BOWL 72 GREY C/LAMP
4	P0112037770	WASHER 8*40*2 10 ZN	20	C5010004005	THREAD RIVET TC M4*10,5
5	C0106008035	SCREW TE FI PG ZN 8* 35 57	21	C0175004020	SCREW TCIC FI PG 4* 20 7985
6	C0373006006	NUT ZIG PG ZN M 6*14 DIN6923	24	SE BILD NEDAN	
7	C0310006000	NUT EN PG ZN M 6/H 5 5588	1	P0060049830	LUGGAGE COVER 72 TEXTURE
8	C0106006025	SCREW TE FI PG ZN 6* 25 5739	2	P0060053370	
9	C5200006006	PLUG PVCch10D13H6BUMPER10	26	C0210004020	SCREW TSP FI PG ZN 4* 20 768
10	P0060050560	REAR POWER GRID V/LUGGAGE 72	27	C5010004000	RIVET M4 ES S/TES
11	F2114000022	INT DOORMIRROR 10 2P	28	P0060049850	COVERING 72 SPARE WHEEL
12	F2119000004	LF SUN VISOR C/POCKET	29	P0060050130	LAT POWER GRID V/LUGGAGE 72
13	F2120000001	VISOR HINGE STD	30	C5200109231	PLUG PVC 8*15H19
14	F2119000005	RH SUN VISOR	31	P0121037882	
15	P0160038690	HANDLE L170 CPL	32	F2164000114	CARPETS 72
16	C0552055190	SCREW AF TCIC NI 5,5*19 695	35	F2115000005	

Bild 13, del 2:



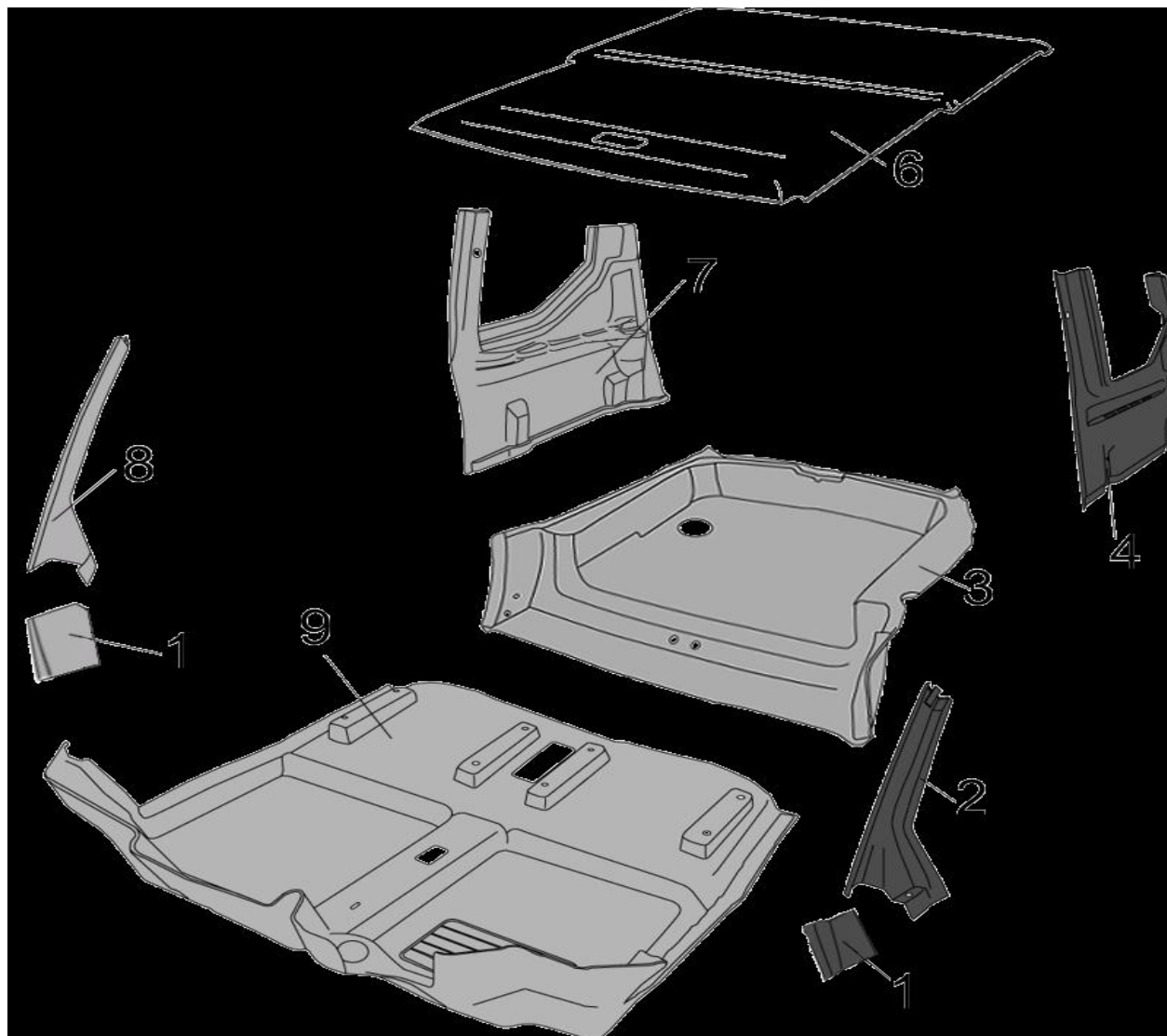
POSITION 24		
	1 P0060049830	LUGGAGE COVER 72 TEXTURE
	2 P0060053370	

Bild 13 del 2, bild 1:



POSITION	ARTIKELNUMMER	BESKRIVNING
1	P0060051260	COVERING 72
2	P0060051250	COVERING 72
3	P0060051190	COVERING 72
4	P0060051230	COVERING 72 2S
5	P0060051200	COVERING 72 2S
6	P0060051210	COVERING 72 ROOF 2S
7	P0060051220	COVERING 72 2S
8	P0060051240	COVERING 72
9	P0060051180	COVERING 72

Bild 13, del 2, bild 2:



POSITION	ARTIKELNUMMER	BESKRIVNING
1	P0060051260	COVERING 72
2	P0060051180	COVERING 72
3	P0060051191	
4	P0060051231	
6	P0060051210	COVERING 72 ROOF 2S
7	P0060051221	
8	P0060051240	COVERING 72
9	P0060051180	COVERING 72

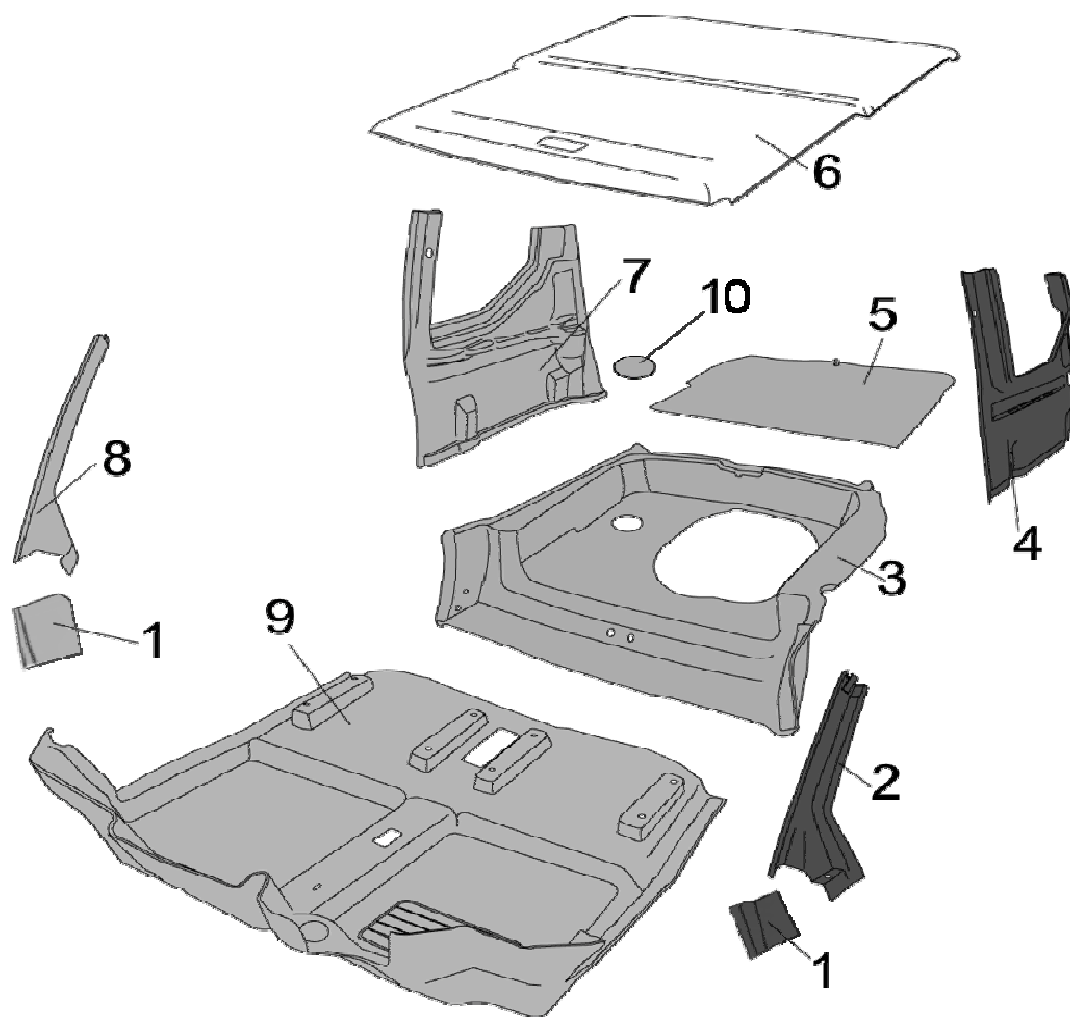


Bild 13, del 2, bild 3

POSITION	ARTIKELNUMMER	BESKRIVNING
1	P0060051260	COVERING 72
2	P0060051250	COVERING 72
3	P0060051190	COVERING 72
4	P0060051231	
5	P0060051200	COVERING 72 2S
6	P0060051210	COVERING 72 ROOF 2S
7	P0060051221	
8	P0060051240	COVERING 72
9	P0060051180	COVERING 72
10	P0060051261	

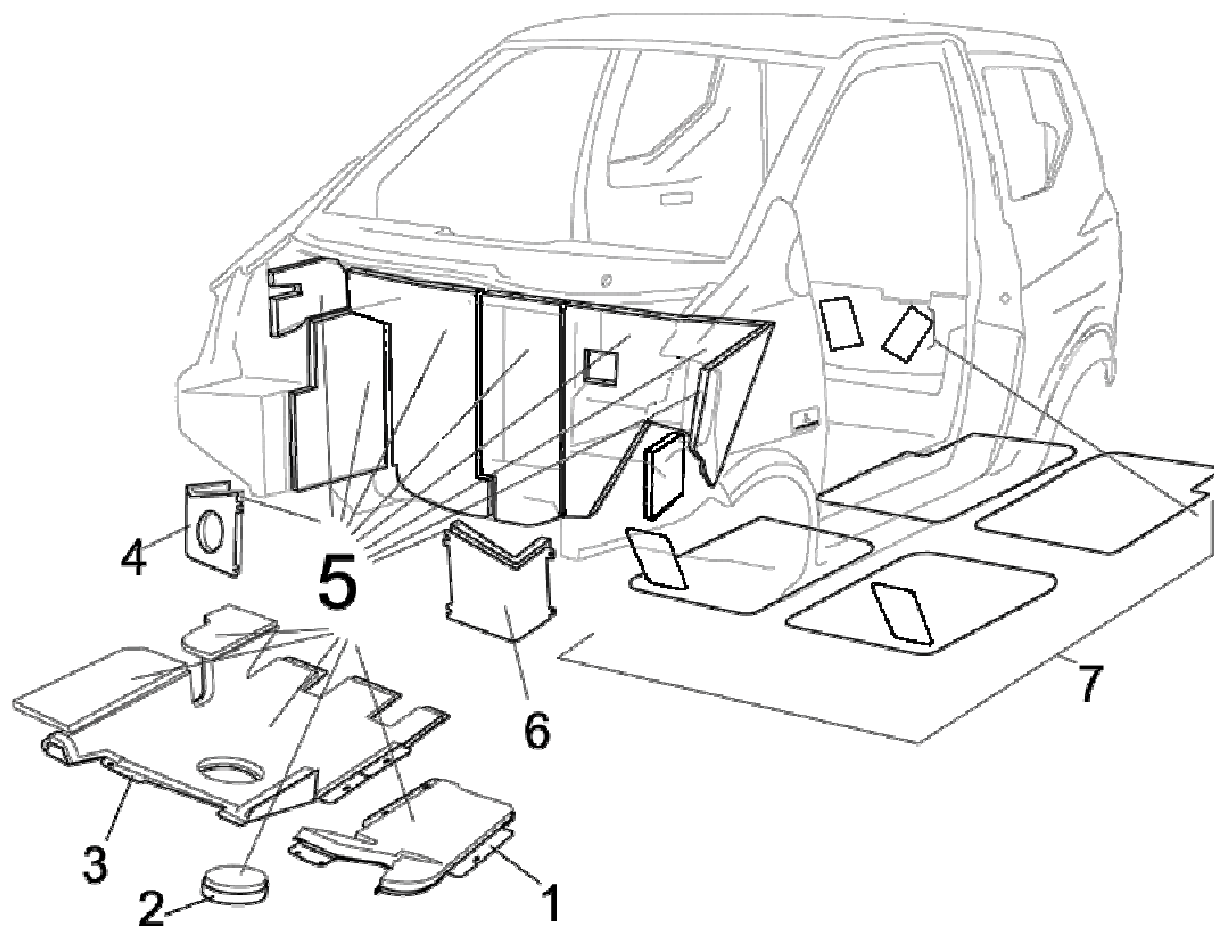
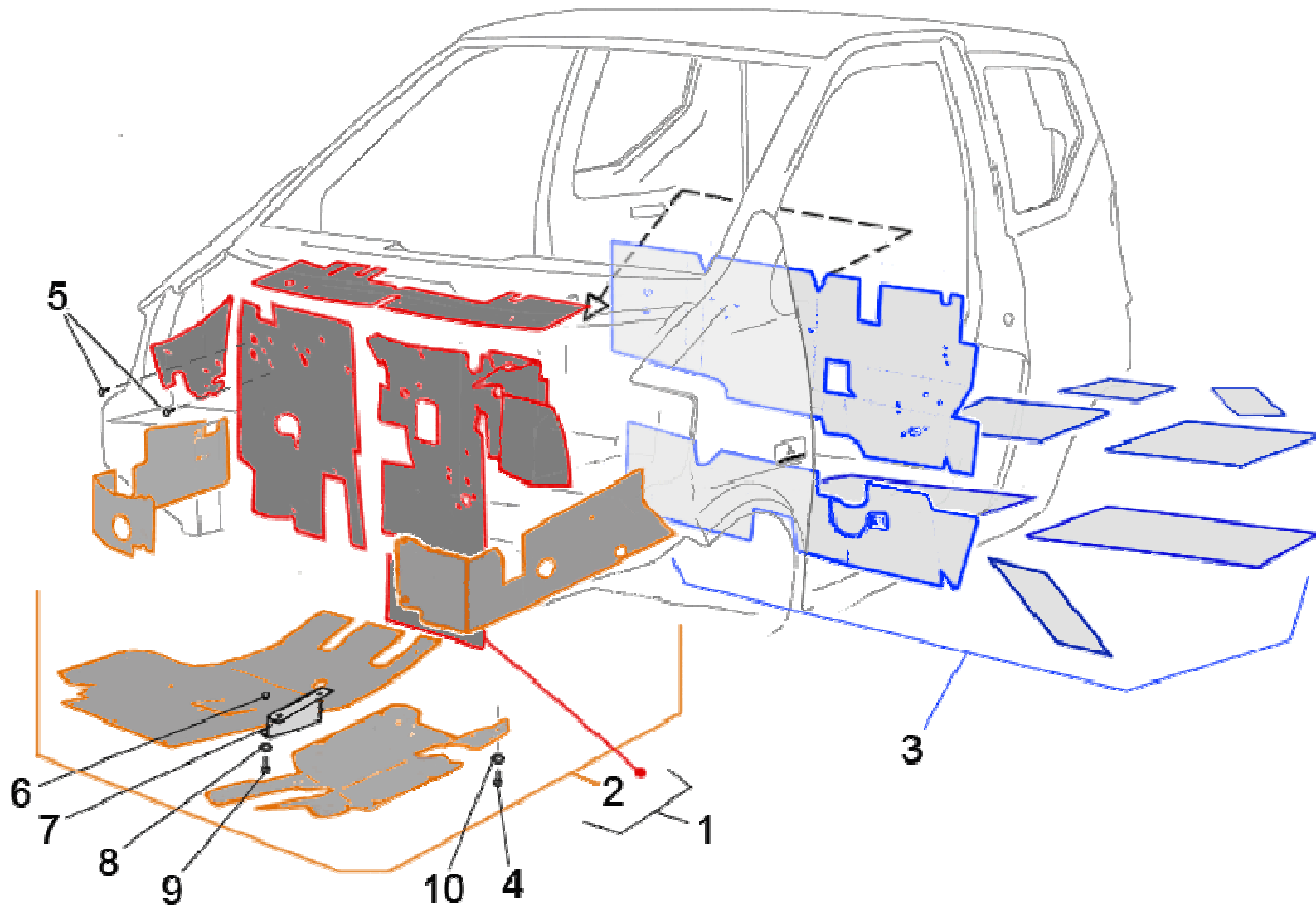


Bild 14, del 1:

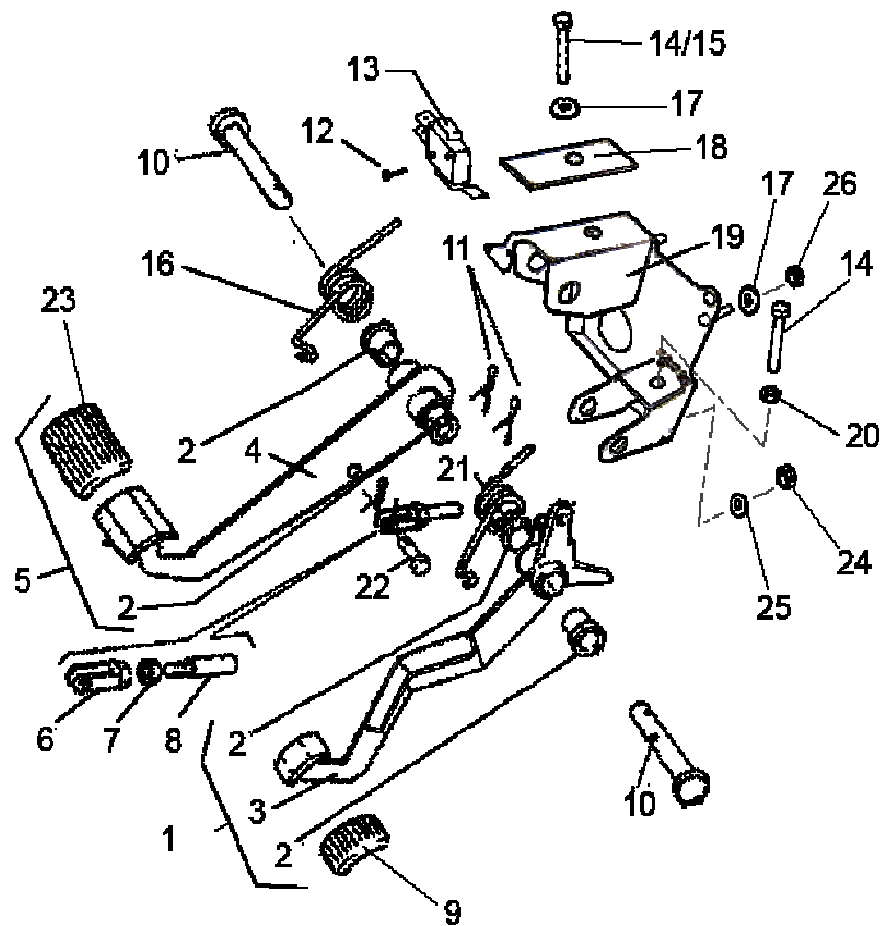
POSITION	ARTIKELNUMMER	BESKRIVNING
1	P0130050720	CRANKCASE 72M AL
2	C5200040102	INF PLUG PVC102* 8H6,4 CARTER
3	P0130050730	INF CRANKCASE 72M AL
4	P0130050750	LAT RH CRANKCASE 72M
5	G0002023480	SOUNDFLEX INSULATING SET 72 2
6	P0130050740	LAT LF CRANKCASE 72M
7	G0002023470	LEGETOLEX INSULATING SET 72 1

Bild 14, del 2: Se nedan



POSITION	ARTIKELNUMMER	BESKRIVNING
1	G0002023480	SOUNDFLEX INSULATING SET 72 2
2	G0002023590	
3	G0002023470	LEGETOLEX INSULATING SET 72 1
4	C0500055160	SCREW AF TE 5,5*13-16 694
5	C5002048170	
6	C0370006000	NUT ABN PG ZN M 6/H 8 7473
7	P0130054100	
8	C0805066180	WASHER BL 6 ZN 6,6*18*2 6593
9	C0106006016	SCREW TE FI PG ZN 6* 16 5739
10	C0805055150	WASHER BL 5 ZN 5,5*15*1,6 65

Bild 15



POSITION	ARTIKELNUMMER	BESKRIVNING	POSITION	ARTIKELNUMMER	BESKRIVNING
1	G3233020682		13	F2158000108	REVERSE REGULATOR
2	P0013002370	BUSH D12*18H30/26	14	C0106006030	SCREW TE FI PG ZN 6* 30 5739
3	A0733084630		15	C0106006020	SCREW TE FI PG ZN 6* 20 57
4	A0733083440		16	P0001006130	SPRING PEDALS
5	G3233020712		17	C0810006002	WASHER BL 6 ZN 6,6*24*2
6	P0123001080	FORK ES/M8*15H35 PUNTAL ZN	18	P0121050770	PEDALS SUPPORT PLATE 72 AL
7	C0310008000	NUT EN PG ZN M 8/H 6,5 5588	19	A0727083260	
8	P0104010531	CAP BRAKES M8*60	20	C0310006000	NUT EN PG ZN M 6/H 5 5588
9	F0114000033		21	P0001006130	SPRING PEDALS
10	P0002051430		22	P0102001050	PIN 6/10H16,5 C/HOLE D15 ZN
11	C0900020320	SPLIT PIN 2*32 - 2,5*36 133	23	F0114000027	PEDAL COVER BRAKE 20 TN
12	C0552029160	SCREW AF TCBIC NX 2,9*16	24	C0370008000	NUT ABN PG ZN M 8/H 9,5 7473
			25	C0800084170	WASHER 8 ZN 8,4*17*1,6 6592
			26	C0370006000	NUT ABN PG ZN M 6/H 8 7473

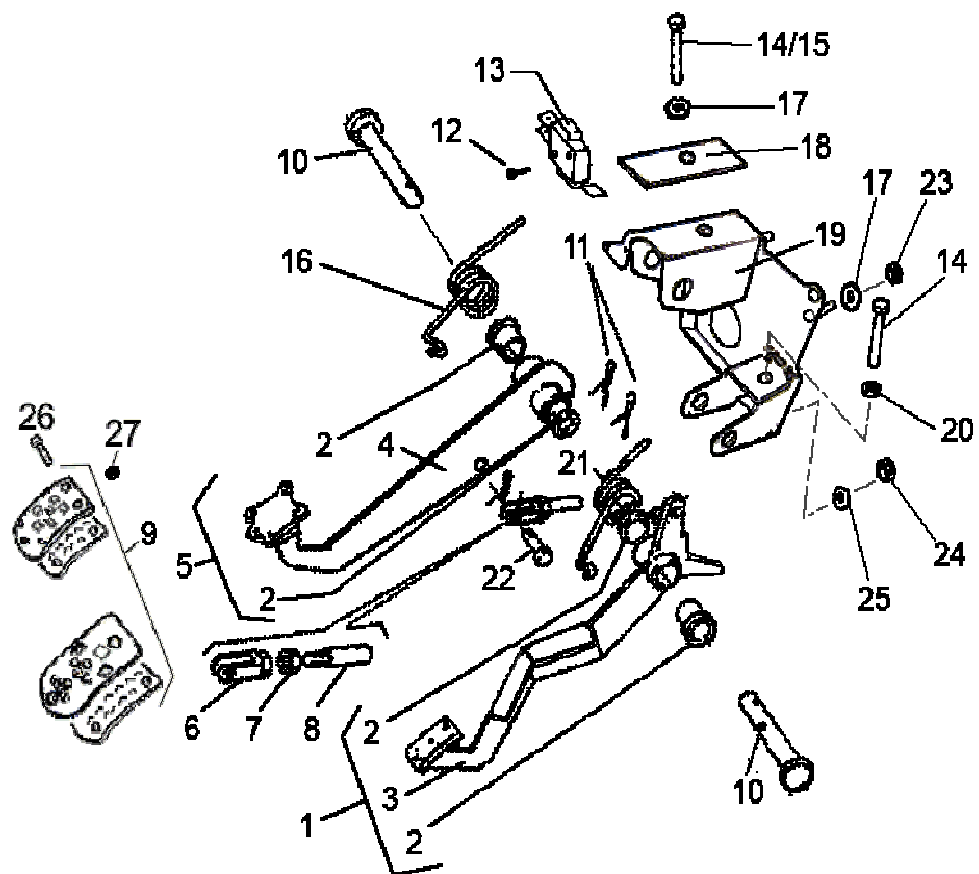
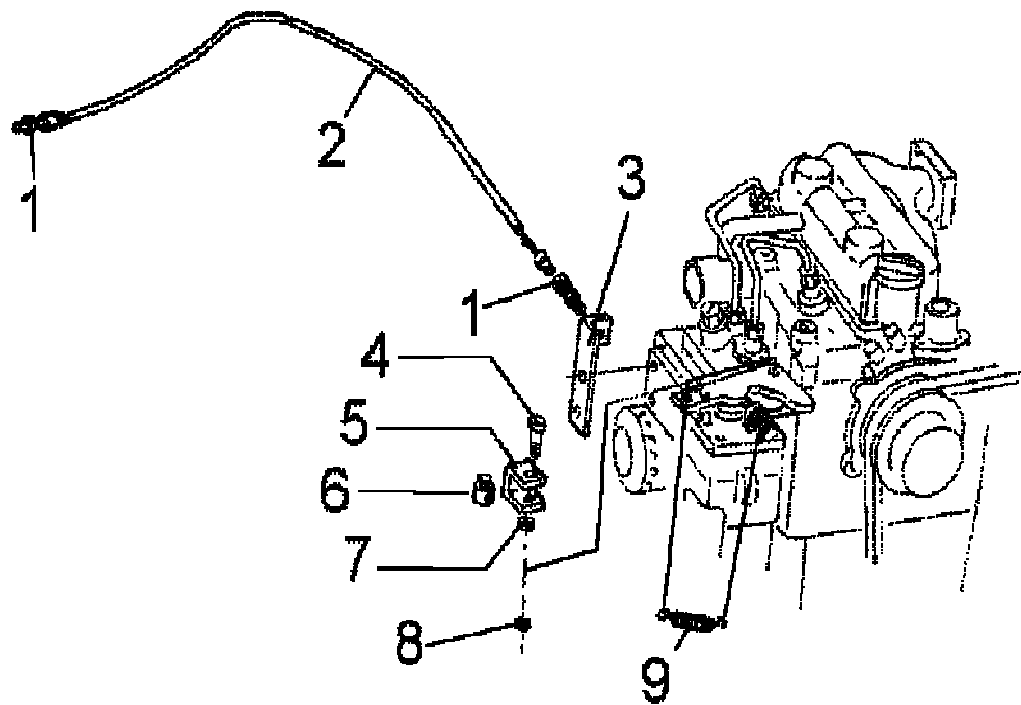


Bild 15, del 2

POSITION	ARTIKELNUMMER	BESKRIVNING	POSITION	ARTIKELNUMMER	BESKRIVNING
1	G3233020684		15	C0106006020	SCREW TE FI PG ZN 6* 20 57
2	P0013002370	BUSH D12*18H30/26	16	P0001006130	SPRING PEDALS
3	A0733083500		17	C0810006002	WASHER BL 6 ZN 6,6*24*2
4	A0733083510		18	P0121050770	PEDALS SUPPORT PLATE 72 AL
5	G3233020713		19	A0727083260	
6	P0123001080	FORK ES/M8*15H35 PUNTAL ZN	20	C0310006000	NUT EN PG ZN M 6/H 5 5588
7	C0310008000	NUT EN PG ZN M 8/H 6,5 5588	21	P0001006130	SPRING PEDALS
8	P0104010531	CAP BRAKES M8*60	22	P0102001050	PIN 6/10H16,5 C/HOLE D15 ZN
9	F0114000032		23	C0370006000	NUT ABN PG ZN M 6/H 8 7473
10	P0002051430		24	C0370008000	NUT ABN PG ZN M 8/H 9,5 7473
11	C0900020320	SPLIT PIN 2*32 - 2,5*36 133	25	C0800084170	WASHER 8 ZN 8,4*17*1,6 6592
12	C0552029160	SCREW AF TCBIC NX 2,9*16			
13	F2158000108	REVERSE REGULATOR			
14	C0106006030	SCREW TE FI PG ZN 6* 30 5739			

Bild 16



POSITION	ARTIKELNUMMER	BESKRIVNING
1	F2157000001	REGISTER M6*30/40 D9 CH10
2	P0038041051	ACCELERATOR CABLE CPL 72
3	P0129036380	FASTENING ACCELERATOR 10M/20MZ
4	C0106006035	SCREW TE FI PG ZN 6* 35 573
5	P0123010540	PEDALS FORK ZN
6	F2156000108	TERMINAL
7	C0310006000	NUT EN PG ZN M 6/H 5 5588
8	C0370006000	NUT ABN PG ZN M 6/H 8 7473
9	P0001003650	SPRING TR/D 8* 37*0,8 DOOR/NE

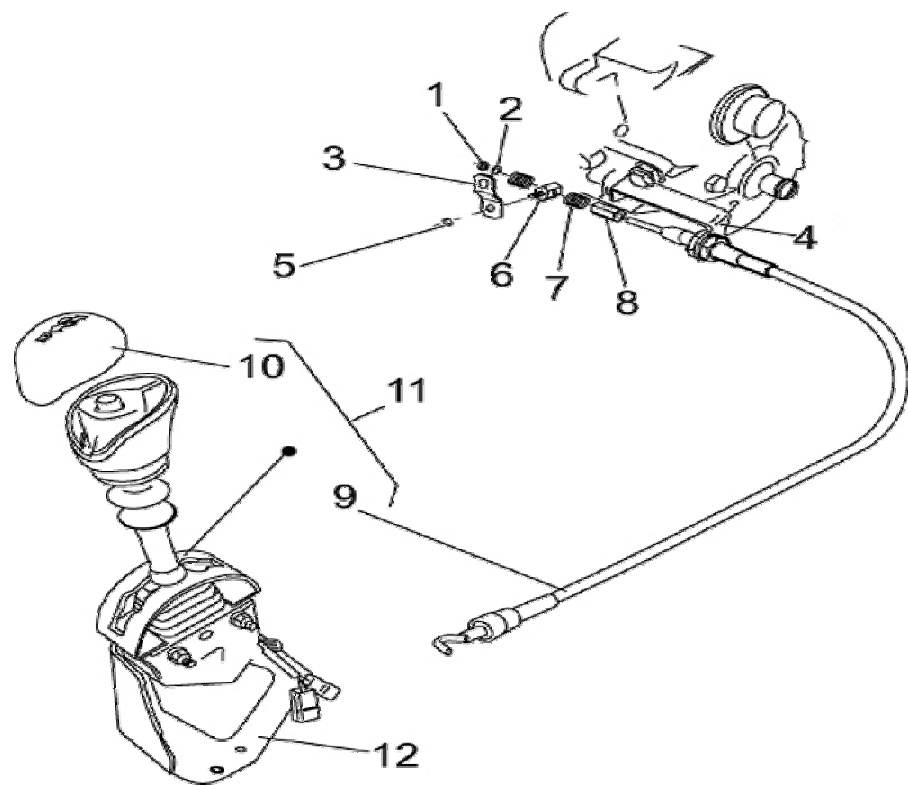
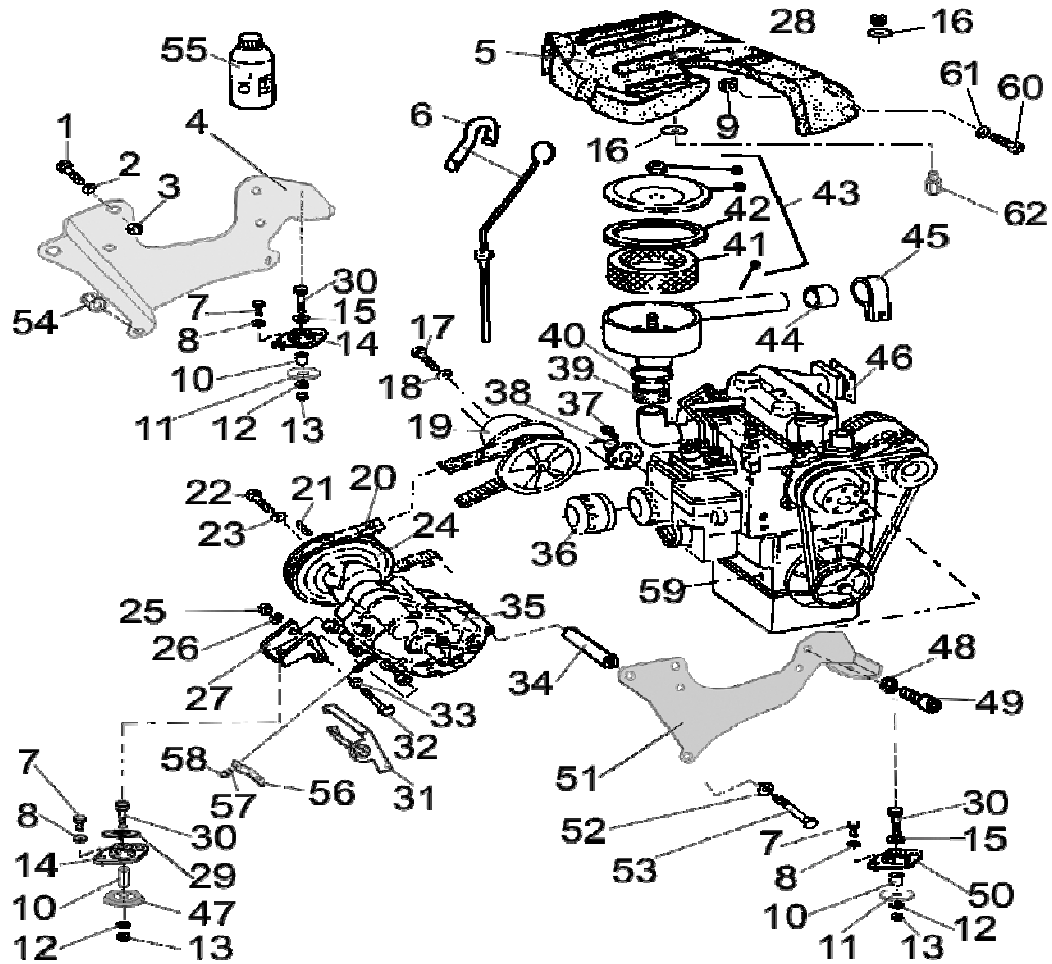


Bild 17

POSITION	ARTIKELNUMMER	BESKRIVNING
1	C0374006000	NUT ABB PG ZN M 6/H 6 7474
2	C0800064125	WASHER 6 ZN 6,4*12,5*1,6 659
3	P0132036503	SWITCH 10/12/20 ZN
4	P0129036492	FASTENER CABLE 10 3S ZN
5	C0374005000	NUT ABB PG ZN M 5/H 5
6	P0160041800	PAWL D12/8M6H31/18/13 ZN
7	P0001003640	SPRING CO/D19* 33*2,8 INV 10 3
8	P0103041791	BUSH M 5*12H95 LEVER
9	F2158000112	T/S INDEM ICABLE M5 2S
10	F2159000017	
11	F2158000118	
12	P0129041323	LEVER BRACKET 10 INDEM ZN 3S

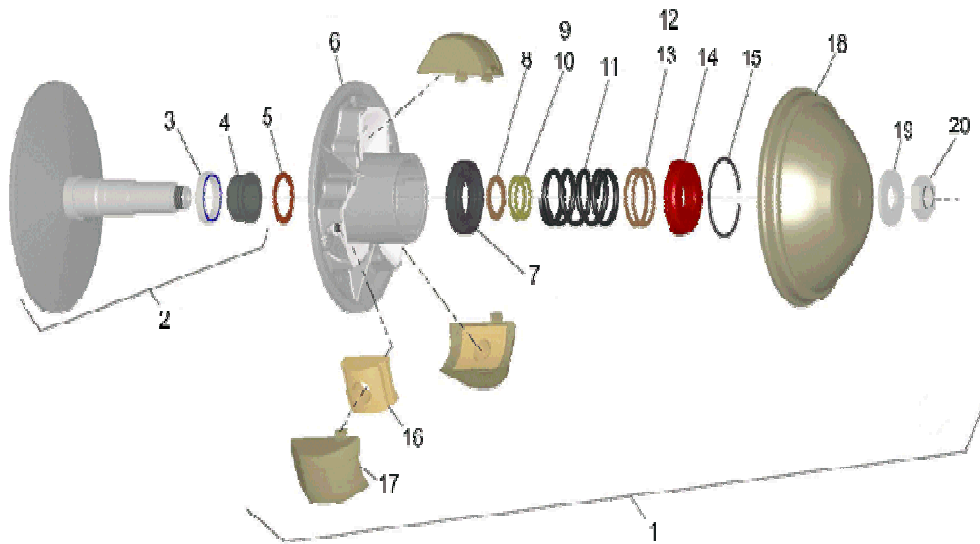


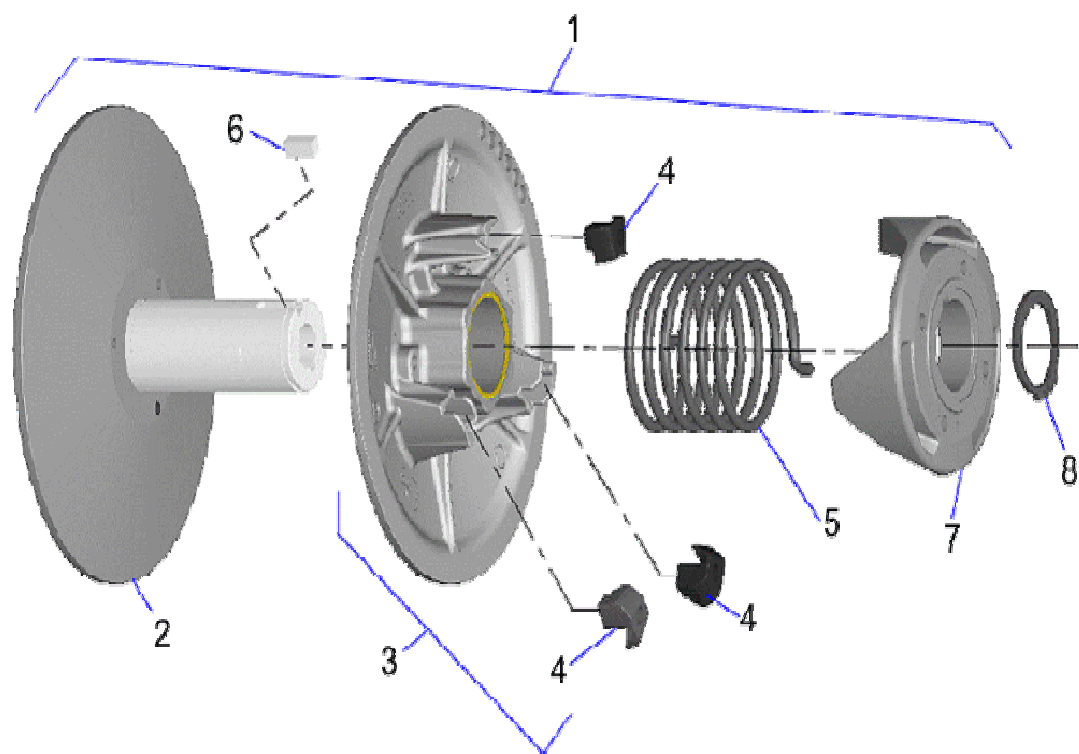
• Bild 18, del 1

POSITION	ARTIKELNUMMER	BESKRIVNING	POSITION	ARTIKELNUMMER	BESKRIVNING
1	C0109010030	SCREW TE FI PF GR 10* 30 57	32	073180002-32	
2	C0800105210	WASHER 10 ZN 10,5*21*2 6592	33	C0800084170	WASHER 8 ZN 8,4*17*1,6 6592
3	P0110042200	SPACER D22*6H 8	34	P0110042110	SPACER D21*4H 83 S/DIF10M RH
4	P0729051840		35	F0040000730	DIFFERENTIAL GEAR SP 1:10DE10
5	G9003022540	GP 10 SUMP MOT SUP	35	se bild A nedan	
6	E0721005000	SHEATH RED	36	F0098000008	OIL FILTER 10M/CARTRIDGE
7	C0106008020	SCREW TE FI PG ZN 8* 20 573	37	C0123010035	SCREW TCEI PF GR 10* 35
8	C0800084170	WASHER 8 ZN 8,4*17*1,6 6592	38	P0016035380	SHAFT MOT/VAR D66/30 H68
9	C0375005005	CAGE NUT ZN M 5*1,6-3,5	39	P0060049670	SLEEVE D48*4*23 FIL MIT
10	P0010045020	SPACER D12*2H 43 AVIB/MOT 10	40	C5130043047	SCREW CLAMP 32-50 DALW2
11	C0805110300	WASHER BL10 ZN 11*30*2,5 6593	41	F0098000007	AIR FILTER
12	C0805090240	WASHER BL 8 ZN 9*24*2 6593	42	Z0207007004	GASKET ADHESIVE BALL 075*045
13	C0370008000	NUT ABN PG ZN M 8/H 9,5 7473	43	F0098000005	AIR FILTER 10M CPL
14	C5106786032	ANTIVIBRATION DEVICE	44	Z0207025005	GASKET ADHESIVE BALL 200*050
15	C0805090240	WASHER BL 8 ZN 9*24*2 6593	45	P0129036520	AIR FILTER BRACKET 10M/20M AI

16	C0810006002	WASHER BL 6 ZN 6,6*24*2	46	F0098000012	GASKET MITS 538
17	C0100010150	SCREW TE FM PG ZN 10*150 573	47	C5106786028	ANTIVIBRATION DEVICE
18	C0805110300	WASHER BL10 ZN 11*30*2,5 6593	48	C0800105210	WASHER 10 ZN 10,5*21*2 6592
19	F0191000730	PULLEY 20M/72 1S	49	C0109010020	SCREW TE FI PF GR 10* 20 5
Intill 19, se tabell under nedanstående bilden		Driving Pulley	50	C5106786031	ANTIVIBRATION DEVICE
20	F0191000734	BELT BD52-2167v2 72	52	C0800130240	WASHER 12 ZN 13*24*2,5 6592
21	P0022041820	TANG 10/65	53	C0100012220	SCREW TE FM PG ZN 12*220
Pipe Pulley, se bild 2 nedan	Intill position 24		54	C0370012000	NUT ABN PG ZN M12/H14 7473
22	C0123010035	SCREW TCEI PF GR 10* 35	55	U3200000105	OIL MOT/DIESEL 10W40
23	P0112050950	WASHER 10*26*8 V	56	P0132036503	SWITCH 10/12/20 ZN
24	F0191000731	PULLEY 20M/72 1S	57	C0834082020	SPRING 180* 82*10 DIN2093
25	C0370008000	NUT ABN PG ZN M 8/H 9,5 7473	58	C0374008000	NUT ABB PG ZN M 8/H 8 7474
26	C0800084170	WASHER 8 ZN 8,4*17*1,6 6592	59	F0098000112	
27	P0129035971	REAR MOTOR SUPPORT 10M 3S CF	60	C0175005012	
28	C0370006000	NUT ABN PG ZN M 6/H 8 7473	61	C0805055150	WASHER BL 5 ZN 5,5*15*1,6 65

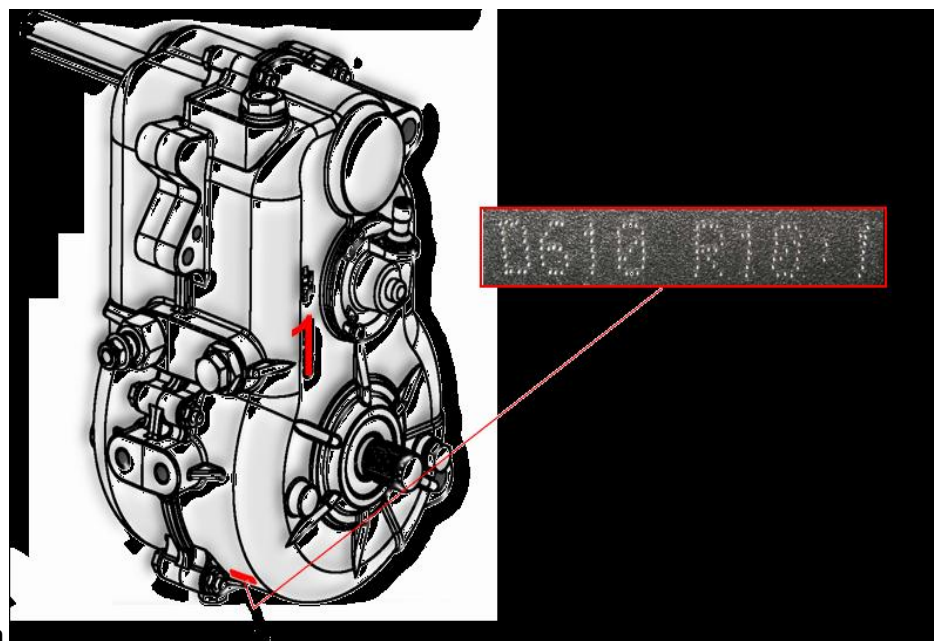
29	P0141039291	WASHER 10*66*2 AVIB10 3S	62	P0141043460	SCREW
30	C0100008075	SCREW TE FM PG ZN 8* 75 573			
31	P0129036492	FASTENER CABLE 10 3S ZN			

POSITION 19, bild 18



Pipe Pulley postion 20, bild 18 del 1

POSITION	ARTIKELNUMMER	BESKRIVNING
1 = 24 (stora bilden)	F0191000731	PULLEY 20M/72 1S
2	072183003-2	
3	F0191000706	HALF PULLEY 10/IBC CPL 4S
4	F0191000710	RUNNER IBC 10/ABS 4S
5	072183003-5	
6	F0191000022	TANG 10IBC 6*6*16
7	072183003-7	
8	F0191000031	ELAST RING 10IBC D38

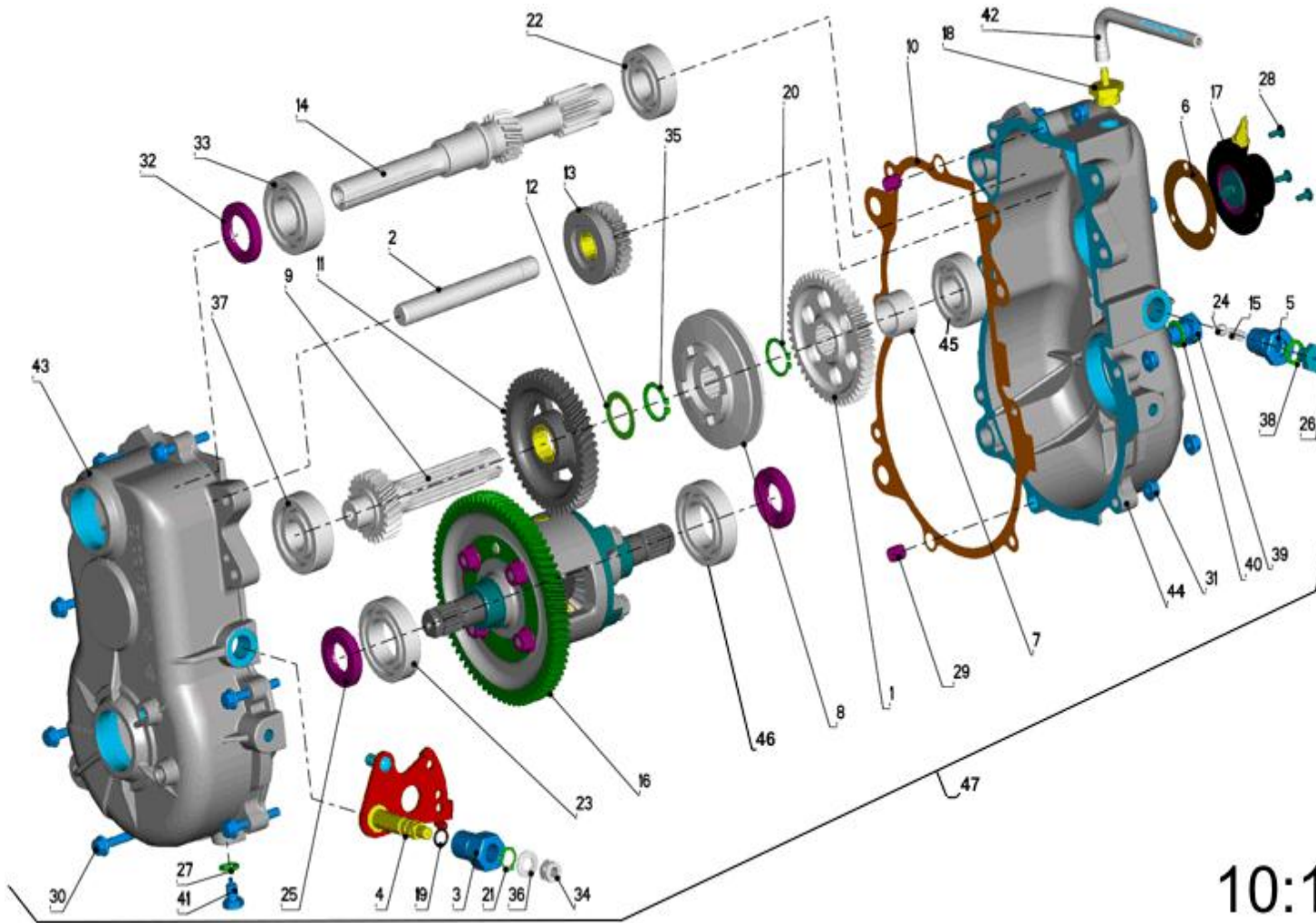


Position 35, bild A D610 R101 Växellåda

1) D610 –R10;1 Detta numret står längst ned på ena sidan av växellådan, se bilden

1	F0040000730	DIFFERENTIAL GEAR SP 1:10DE10
---	-------------	----------------------------------

Position 35, bild A , under positon 1:



Position 35 bild A I dess delar	ARTIKELNUMMER	BESKRIVNING	POSITION	ARTIKELNUMMER	BESKRIVNING
1 PÅ FÖRSTORING AV BILDEN	F0040000513	GEAR RM/FIXED-Z47 1006	21		BALL D 8 DIFF/COMEX 2008
2	F0040000515	SHAFT COMEX REAR 1011	22		OIL SEAL 20*40*7 2010
3	F0040000531	BUSH SELECTOR/ALT 15 SP	23		SCREW TE FI PG ZN 10* 10 573
4	F0040000518	INT SWITCH 1020	24		SHAFT COMEX R1:10-Z23
5	F0040000520	BUSH SPRING SELECTOR	25		GASKET SUMP/SP
			26		GEAR SINN/RID Z49 1170
6	F0040000597	GASKET FLANGE CKM	27	D0103008011	WASHER 8*14*1,5
7	F0040000595	SPACER _MEX ALB/2-RID 1097	28	C0154004016	SCREW TCID FI PG NX 4* 16 610
8	F0040000558	GEAR SINN/SCORR F1103	29	F0040000593	PIN BOX/DIF 2033
9	F0040000605	WASHER 18*32*0,8 D1171	30	F0040000725	Screw 6*40 mex
10	F0040000584	GEAR Z25 TN1173	31	F0040000728	NUT [_]MEX ES
11	F0040000557	SHAFT COMEX DE 1:8 65 F	32	C5101025007	OIL SEAL 25*40*7 DIF65
12	F0040000566	SPRING COMP/SELECTOR 2S	33	F0040000594	BEARING 6205 25*52*15 PRIM DIF
13	F0040000541	DIFFERENTIAL GEAR KIT	34	C0374008000	NUT ABB PG ZN M 8/H 8 7474

14	F0040000653	ODOMETER ELECTRIC TRANS D1548.	35	F0040000567	ELAST RING SP D22*1,7 7436
15	F0040000723	PLUG FOR PIPE	36	C0834082020	SPRING 180* 82*10 DIN2093
16	F0040000601	O-RING 108 9/12 8,73*1,78	37	F0040000632	BEARING 6304 20*52*15 SCOR
17	DIFFERENTIAL GEAR KIT	ELAST RING ALB SN D22*1,2 74	38	072180001-38	WASHER 10*18*2 UNI6592
18	F0040000710	ELAST RING ALB SN D12*1 7435	39	072180001-39	SCREW TE FM PG ZN 12*16
19	F0040000533	BEARING 6204 20*47*14	40	D0103012014	WASHER 12*18*1,5
20	C0920022000	BEARING 6006 30*55*13 COMEX	41	F0040000729	PLUG MagnM8
			42	F0040000711	OIL BREATHER TUBE
			43	F0040000581	LF CRANKCASE SP/2F D52
			44	F0040000582	RH CRANKCASE SP/1F
			45	F0040000542	BEARING 6204 20*47*14
			46	F0040000536	BEARING 6006 30*55*13 COMEX
			47	F0040000730	DIFFERENTIAL GEAR SP 1:10DE10

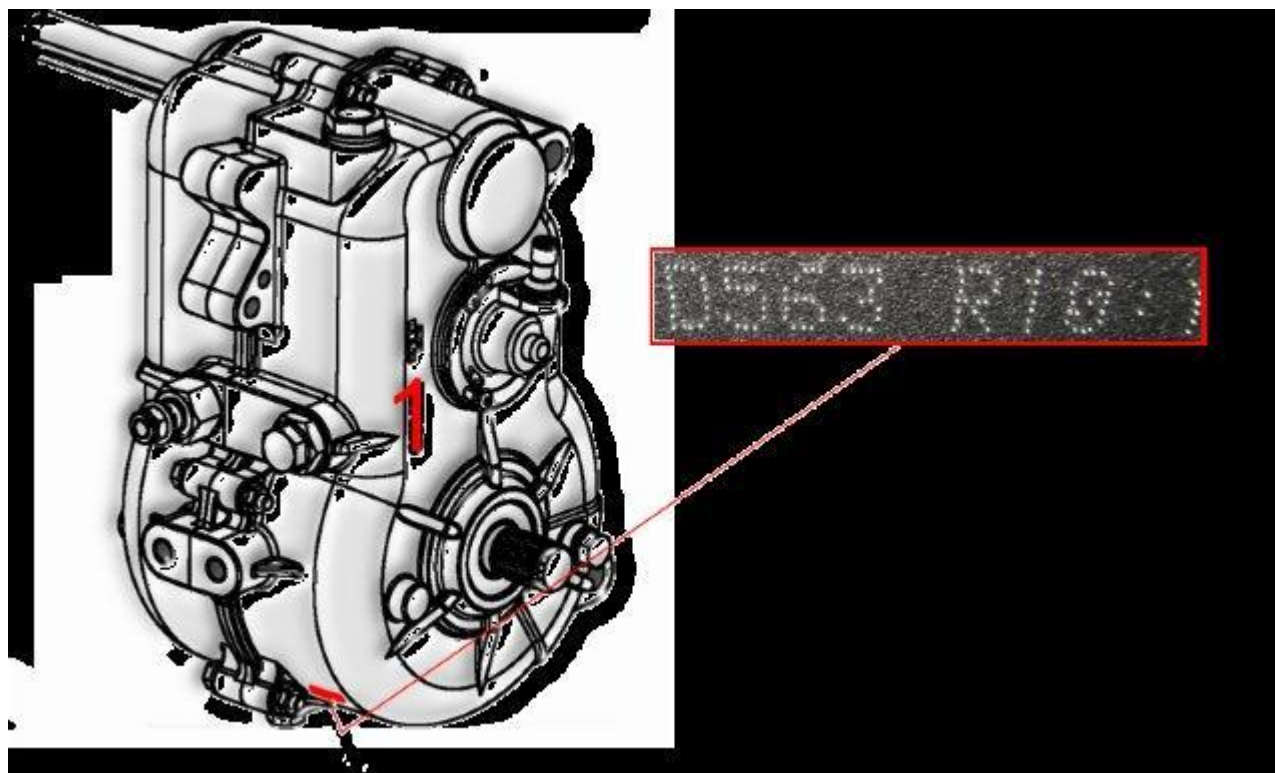
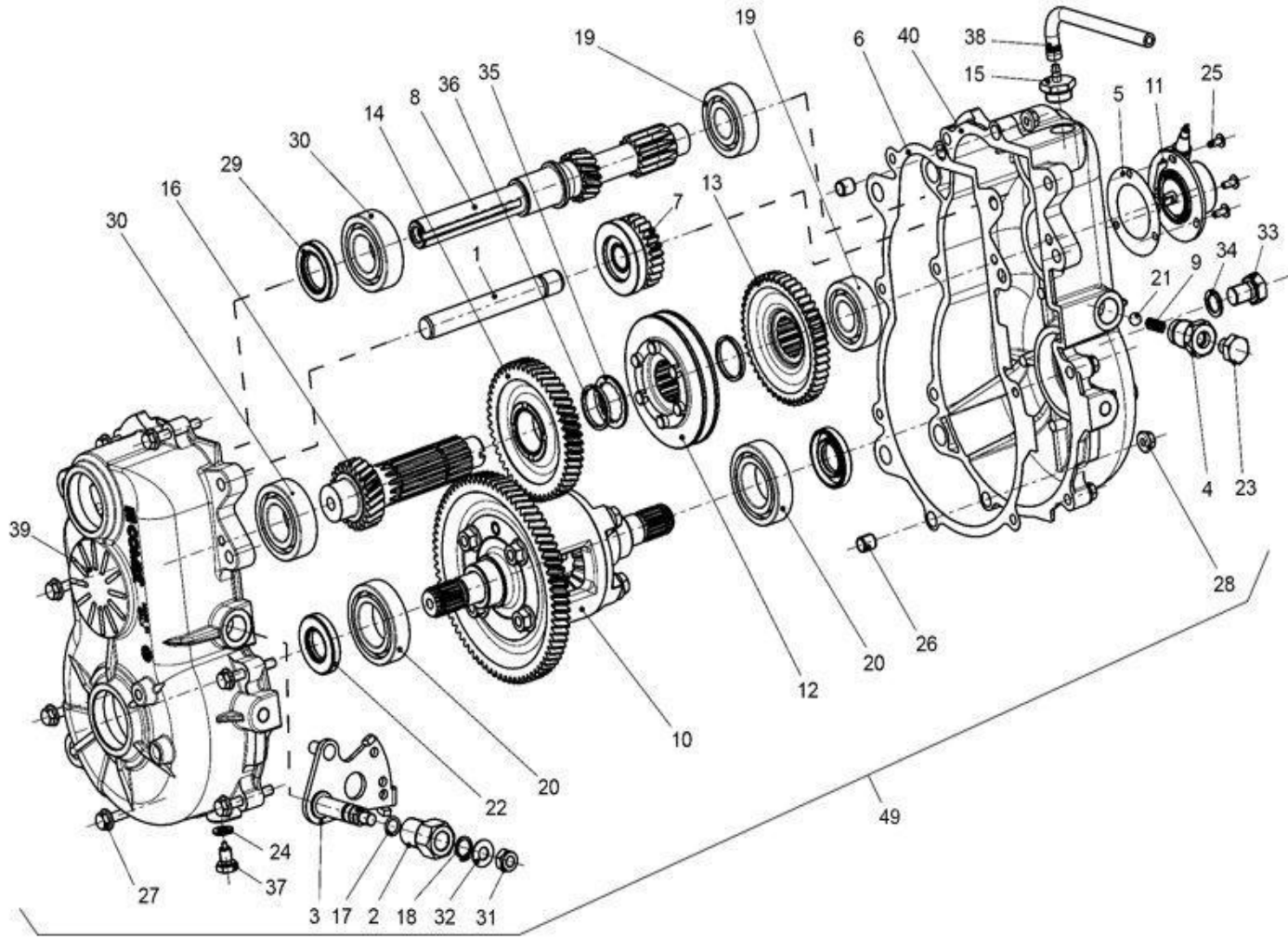


Bild B D 563 R 101 Detta numret står längst ned på ena sidan av växellådan, se bilden, Bild 18 del 1

Nedan en genomskärning av växelådan D563 R101:

1	F0040000730	DIFFERENTIAL GEAR SP 1:10DE10
---	-------------	----------------------------------



POSITION	ARTIKELNUMMER	BESKRIVNING	POSITION	ARTIKELNUMMER	BESKRIVNING
1	F0040000515	SHAFT COMEX REAR 1011	27	D0103008011	WASHER 8*14*1,5
2	F0040000531	BUSH SELECTOR/ALT 15 SP	28	C0154004016	SCREW TCID FI PG NX 4* 16 610
3	F0040000518	INT SWITCH 1020	29	F0040000593	PIN BOX/DIF 2033
4	F0040000520	BUSH SPRING SELECTOR	30	F0040000725	Screw 6*40 mex
5	F0040000597	GASKET FLANGE CKM	31	F0040000728	NUT [_]MEX ES
6	F0040000595	SPACER _MEX ALB/2-RID 1097	32	C5101025007	OIL SEAL 25*40*7 DIF65
7	F0040000558	GEAR 5INN/SCORR F1103	33	F0040000594	BEARING 6205 25*52*15 PRIM DIF
8	F0040000605	WASHER 18*32*0,8 D1171	34	C0374008000	NUT ABB PG ZN M 8/H 8 7474
9	F0040000584	GEAR Z25 TN1173	35	F0040000567	ELAST RING SP D22*1,7 7436
10	F0040000557	SHAFT COMEX DE 1:8 65 F	36	C0834082020	SPRING 180* 82*10 DIN2093
11	F0040000566	SPRING COMP/SELECTOR 2S	37	F0040000632	BEARING 6304 20*52*15 SCOR
12	F0040000541	DIFFERENTIAL GEAR KIT	38	072180001-38	WASHER 10*18*2 UNI6592
13	F0040000653	ODOMETER ELECTRIC TRANS D1548.	39	072180001-39	SCREW TE FM PG ZN 12*16
14	F0040000723	PLUG FOR PIPE	40	D0103012014	WASHER 12*18*1,5

15	F0040000601	O-RING 108 9/12 8,73*1,78	41	F0040000729	PLUG MagnM8
16	DIFFERENTIAL GEAR KIT	ELAST RING ALB SN D22*1,2 74	42	F0040000711	OIL BREATHER TUBE
17	F0040000710	ELAST RING ALB SN D12*1 7435	43	F0040000581	LF CRANKCASE SP/2F D52
18	F0040000533	BEARING 6204 20*47*14	44	F0040000582	RH CRANKCASE SP/1F
19	F0040000533	BEARING 6204 20*47*14	45	F0040000542	BEARING 6204 20*47*14
20	C0920022000	BEARING 6006 30*55*13 COMEX	46	F0040000536	BEARING 6006 30*55*13 COMEX
21	F0040000535	BALL D 8 DIFF/COMEX 2008	47	F0040000730	DIFFERENTIAL GEAR SP 1:10DE10
22	F0040000542	OIL SEAL 20*40*7 2010			
23	F0040000536	SCREW TE FI PG ZN 10* 10 573			
24	F0040000548	SHAFT COMEX R1:10-Z23			
25	C5101020008	GASKET SUMP/SP			
26	C0106010010	GEAR 5INN/RID Z49 1170			

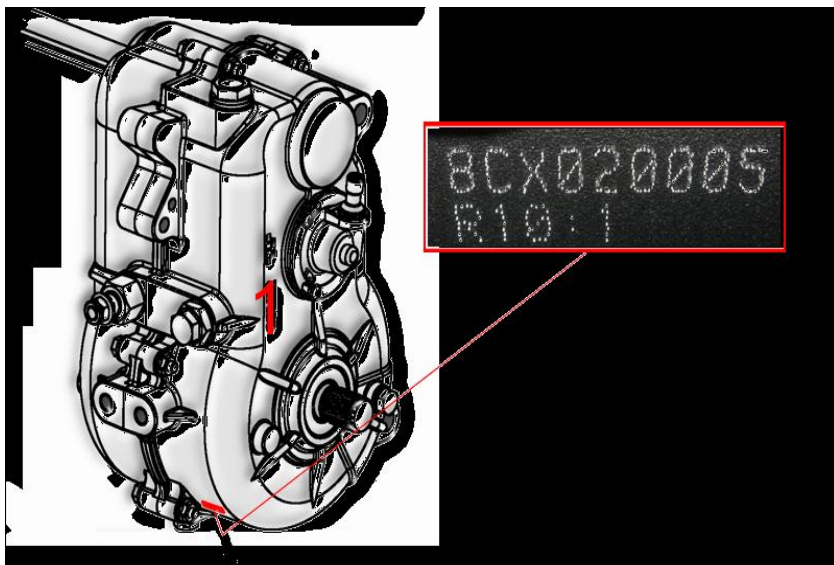
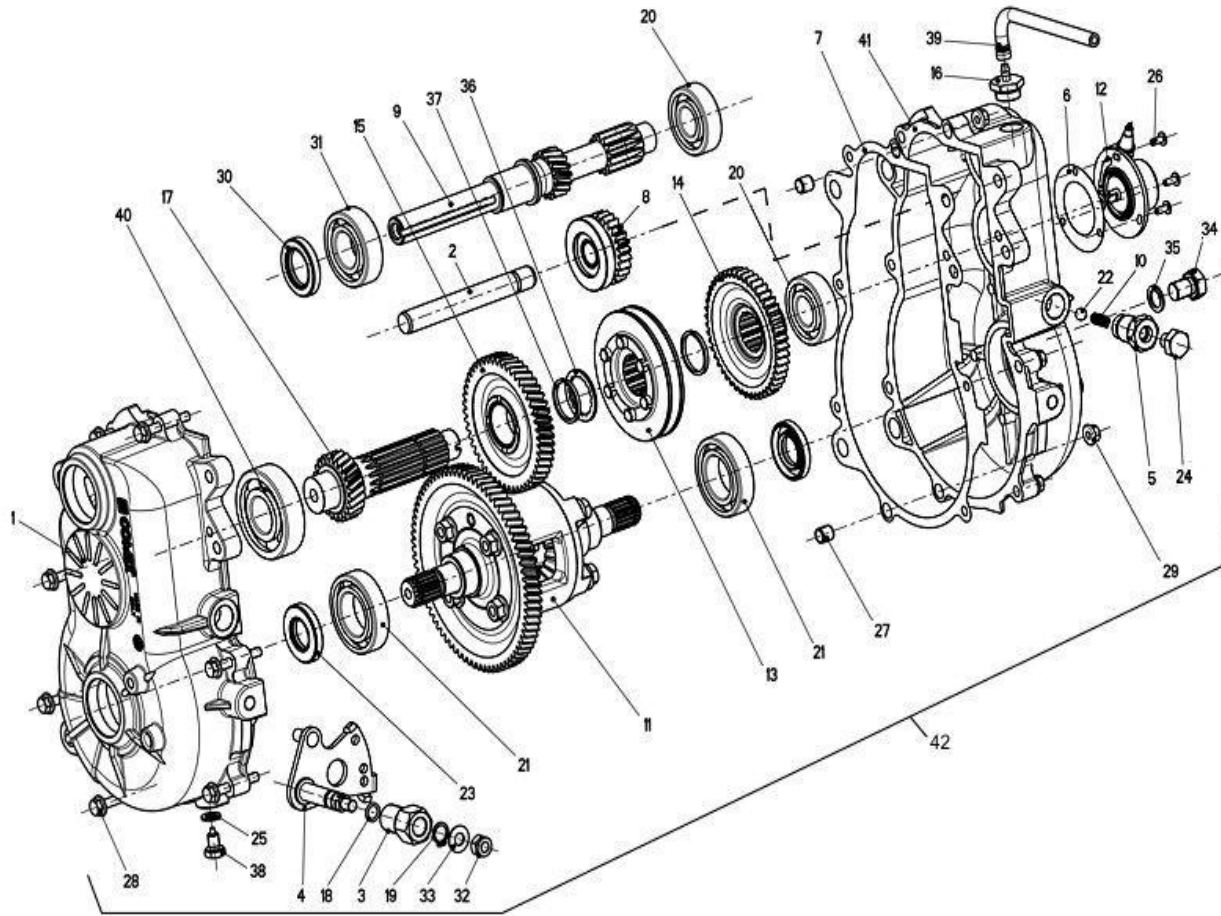


Bild C, Växellåda nr CX020005 R 10:1 Bild 18 del 1

Numret står längst ned på ena sidan, se pilen på bilden

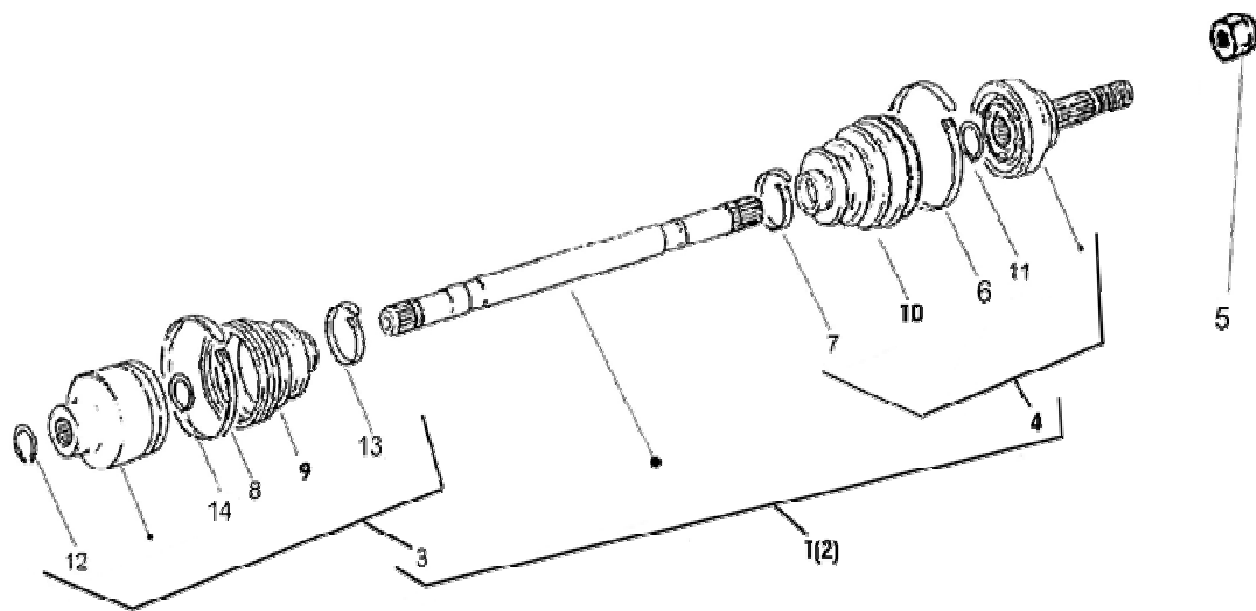
1)



POSITION	ARTIKELNUMMER	BESKRIVNING	POSITION	ARTIKELNUMMER	BESKRIVNING
1	F0040000759		24	C0106010010	SCREW TE FI PG ZN 10* 10 573
2	F0040000515	SHAFT COMEX REAR 1011	25	ROSET.D2021	
3	F0040000531	BUSH SELECTOR/ALT 15 SP	26	C0154004016	SCREW TCID FI PG NX 4* 16 610
4	F0040000518	INT SWITCH 1020	27	F0040000593	PIN BOX/DIF 2033
5	F0040000520	BUSH SPRING SELECTOR	28	F0040000725	SCREW 6*40 MEX
6	F0040000597	GASKET FLANGE CKM	29	F0040000728	NUT [_]MEX ES
7	F0040000584	GASKET SUMP/SP	30	C5101025007	OIL SEAL 25*40*7 DIF65
8	F0040000541	GEAR Z25 TN1173	31	F0040000594	BEARING 6205 25*52*15 PRIM DIF
9	F0040000653	SHAFT COMEX DE 1:8 65 F	32	C0374008000	NUT ABB PG ZN M 8/H 8 7474
10	F0040000723	SPRING COMP/SELECTOR 2S	33	C0834082020	SPRING 180* 82*10 DIN2093
11	F0040000601	DIFFERENTIAL GEAR KIT	34	072180001-39	SCREW TE FM PG ZN 12*16
12	F2136000014	ODOMETER ELECTRIC TRANS D1548.	35	D0103012014	WASHER 12*18*1,5
13	F0040000756		36	F0040000754	
14	F0040000757		37	F0040000755	
15	F0040000753		38	F0040000729	PLUG MagnM8

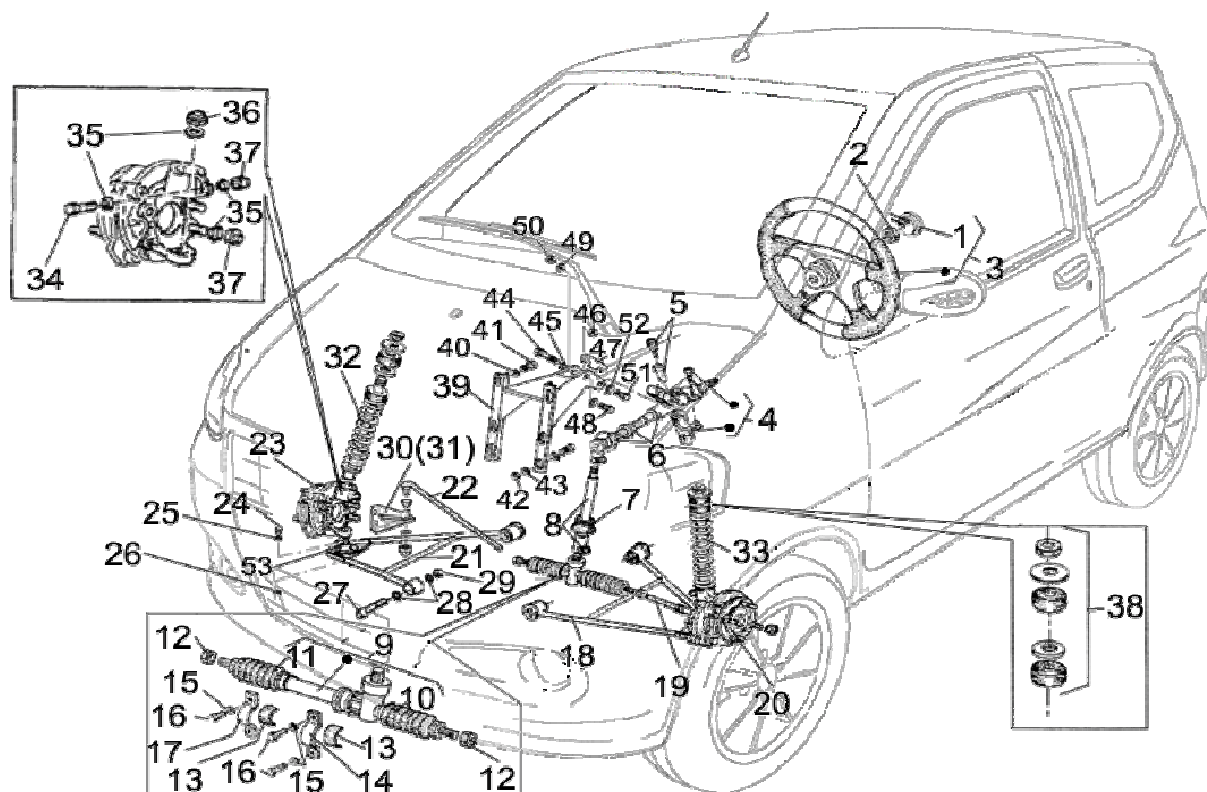
POSITION	ARTIKELNUMMER	BESKRIVNING	POSITION	ARTIKELNUMMER	BESKRIVNING
16	F0040000710		22	F0040000548	BALL D 8 DIFF/COMEX 2008
17	F0040000752		23	C5101020008	OIL SEAL 20*40*7 2010
18	F0040000533	O-RING 108 9/12 8,73*1,78	39	F0040000711	OIL BREATHER TUBE
19	F0040000535	ELAST RING ALB SN D12*1 7435	40	F0040000760	
20	F0040000542	BEARING 6204 20*47*14	41	F0040000582	RH CRANKCASE SP/1F
21	F0040000536	BEARING 6006 30*55*13 COMEX	42	F0040000749	

Bild 19



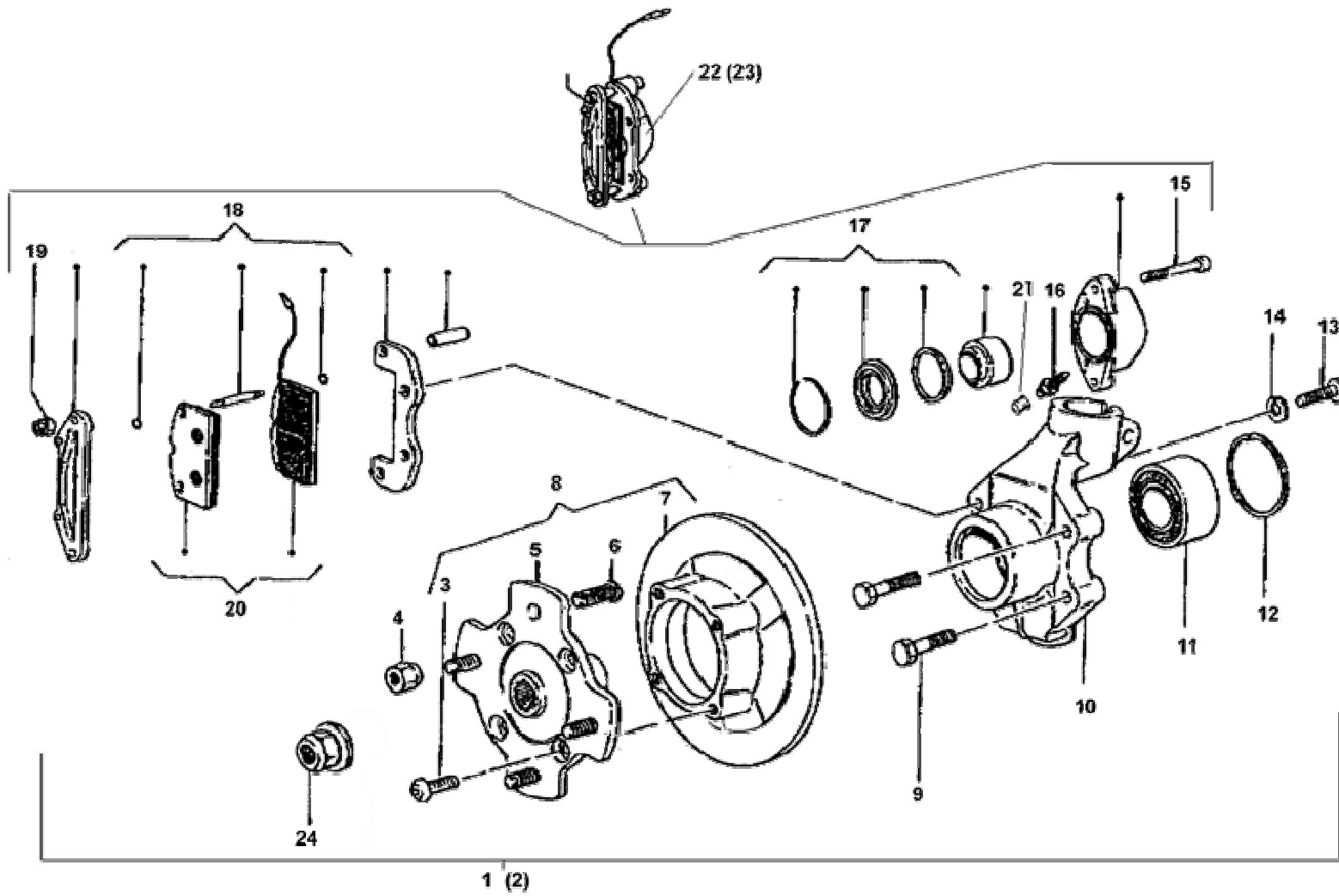
POSITION	ARTIKELNUMMER	BESKRIVNING
1	F0040000609	CONNECTING JOINT 10/72 DL/SC
2	F0040000609	RH CONNECTING JOINT 20/72 DL/D
3	F0040000708	JOINT FEM/DIFF
4	F0502000101	JOINT OMOCIN MAS/WHEEL
5	F0502000100	NUT_MEX M16*1,5 BRAKE/DISC
6	F0040000590	CLAMP COMEX G/OMOC D65
7	F0040000575	CLAMP COMEX G/OMOC D23
8	F0040000576	CLAMP COMEX G/OMOC D65
9	F0040000575	BELLOWS FEM/2SEZ
10	F0040000577	BELLOWS MAS/3SEZ
11	F0040000578	STOP RING COMEX G/OMOC 18
12	F0040000559	STOP RING ALB 18 7433
13	C0922018000	CLAMP COMEX G/OMOC D23
14	F0040000576	STOP RING COMEX G/OMOC 18

Bild 20



POSITION	ARTIKELNUMMER	BESKRIVNING	POSITION	ARTIKELNUMMER	BESKRIVNING
1	F2143000001	HORN PUSH BUTTON 12V	30	A0129080471	LF ARTICULAT BRACKET 10 CPL 2
2	C0378014000	NUT ABB PF ZN M14*1,5H14 7474	31	A0129080481	RH ARTICULAT BRACKET 10 CPL 2
3	F2141000020	STEERING WHEEL 72 2S	32	F2107000040	RH FR SHOCK ABSORBER 72 McP
4	F0489000100	STEERING BLOCK	33	F2107000039	LEFT FR SHOCK ABSORBER 72 McP
5	F0489000102	LOCKS SET 10	34	C0100010050	SCREW TE FM PG ZN 10* 50 573
6	G0005023421		34	C0100010050	SCREW TE FM PG ZN 10* 50 573
7	F0114000002	CHOCK D12/8H30 4947	35	C0800105210	WASHER 10 ZN 10,5*21*2 6592
8	A0734083021		36	C0371010000	NUT ABN PF ZN M10*1,2H12 7473
9	F2146000014	STEERING HOUSING 10/T4 TN	37	C0370010000	NUT ABN PG ZN M10/H11,5 7473
10	F2146000008	RUBBER LF STEERING HOUSE	38	C5109000030	ANTIVIBRATION DEVICE
11	F2146000009	RUBBER RH STEERING HOUSE	39	P0129033671	COLUMN BRACKET 72/BODY CF
12	P0041019800	NUT EN PF GR M14/H10 RH SPEC	40	C0805066180	COLUMN BRACKET 72/BODY CF
13	Z0304200000		41	C0106006030	SCREW TE FI PG ZN 6* 30 5739
14	P0129033551	BRACKET SC/GUID 10 GAVEL/LF ZN	42	C0370006000	NUT ABN PG ZN M 6/H 8 7473
15	C0805066180	WASHER BL 6 ZN 6,6*18*2 6593	43	C0810006002	WASHER BL 6 ZN 6,6*24*2

16	C0106006020	SCREW TE FI PG ZN 6* 20 57	44	C0106006020	SCREW TE FI PG ZN 6* 20 57
17	P0136023270	BRACKET SC/GUID10- B/TORS80 ZN	45	C0805066180	WASHER BL 6 ZN 6,6*18*2 6593
18	G0004020930	FRONT ARM LF	46	C0370006000	NUT ABN PG ZN M 6/H 8 7473
19	F2140000011	HEAD ARTICULATION M14x1f72LFL	47	P0160047730	STEERING SHIM 20
20	F0040000654	HUB DIS/A Ý210/39 3S LF	48	C0100008065	SCREW TE FM PG ZN 8* 65 573
Se även separat bild nedan					
21	G0004020920	FRONT ARM RH	49	C0805090240	WASHER BL 8 ZN 9*24*2 6593
22	F0040000655	HUB DIS/A Ý210/39 3S RH	50	C0370008000	NUT ABN PG ZN M 8/H 9,5 7473
23	F0040000655	HUB DIS/A Ý210/39 3S RH	51	C0106006030	SCREW TE FI PG ZN 6* 30 5739
24	C0106006020	SCREW TE FI PG ZN 6* 20 57			
25	C0800064125	WASHER 6 ZN 6,4*12,5*1,6 659			
26	C0370006000	NUT ABN PG ZN M 6/H 8 7473			
27	C0122012080	SCREW TCEI PG ZN 12* 80 5931			
28	C0800130240	WASHER 12 ZN 13*24*2,5 6592			
29	C0370012000	NUT ABN PG ZN M12/H14 7473			



POSITION	ARTIKELNUMMER	BESKRIVNING	POSITION	ARTIKELNUMMER	BESKRIVNING
1	F0040000654	HUB DIS/A Ý210/39 3S LF	13	C0106010035	SCREW TE FI PG ZN 10* 35 573
2	F0040000655	HUB DIS/A Ý210/39 3S RH	14	C0820010000	GROWER WASHER GR/ZN 10
3	C0230008020	SCREW TBEI FI PG 8* 20 7380	15	C0120008065	SCREW TCEI PG ZN 8* 65 5931
4	F0040000538	NUT_MEX ES M10 FIS/WHEEL	16	F0040000580	PLIERS DRAIN
5	F0040000628	HUB DIS/A_FLANGE/CPLF	17	F0040000588	GASKET SET FR GUN/BRAKE
6	F0040000549	STUD M10H30 F/DISK-WHEEL	18	F0040000591	PIN SET
7	F0040000660	HUB DIS/A Ý210	19	C0370008000	NUT ABN PG ZN M 8/H 9,5 7473
8	F0040000667	HUB DIS/A DISC+FLANÍ210	20	F0040000692	PAD SET
9	C0100010045	SCREW TE FM PG ZN 10* 45 573	21	F0040000630	PLUG PVC RUBBER INT SHUTTER
10	F0040000659	HUB DIS/A_SUPP/ALLU Ý39	22	F0040000664	BRAKE DISK PLIERS LF Ý210
11	F0040000592	BEARING HUB FRONT F/DISC	23	F0040000663	BRAKE DISK PLIERS RH Ý210
12	C0921060000	ELAST RING SN D60*2 7437	24	F0040000590	NUT_MEX M16*1,5 BRAKE/DISC

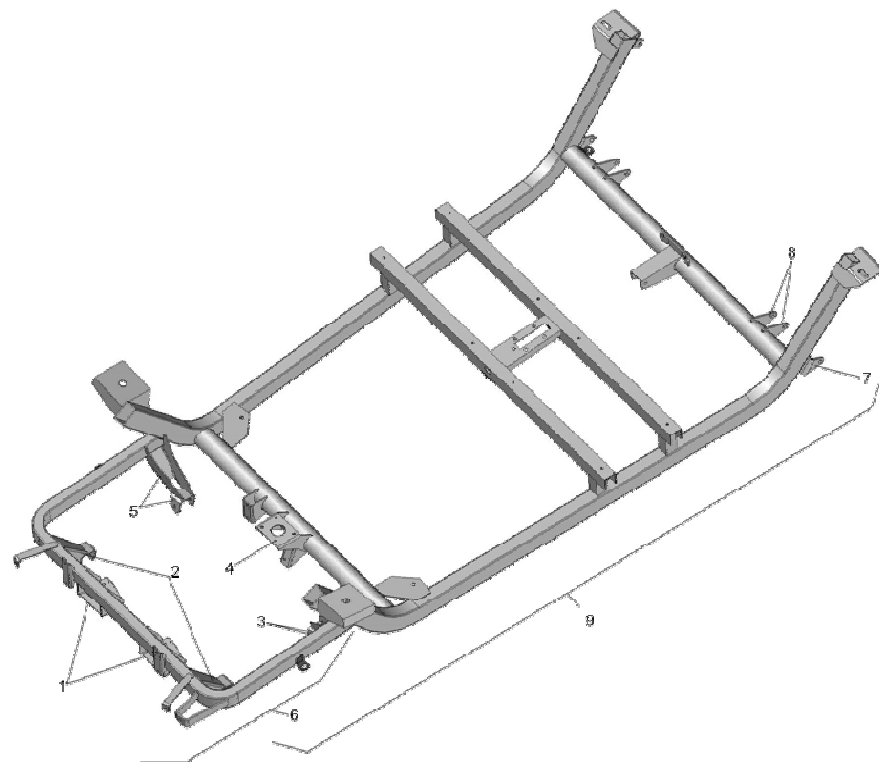
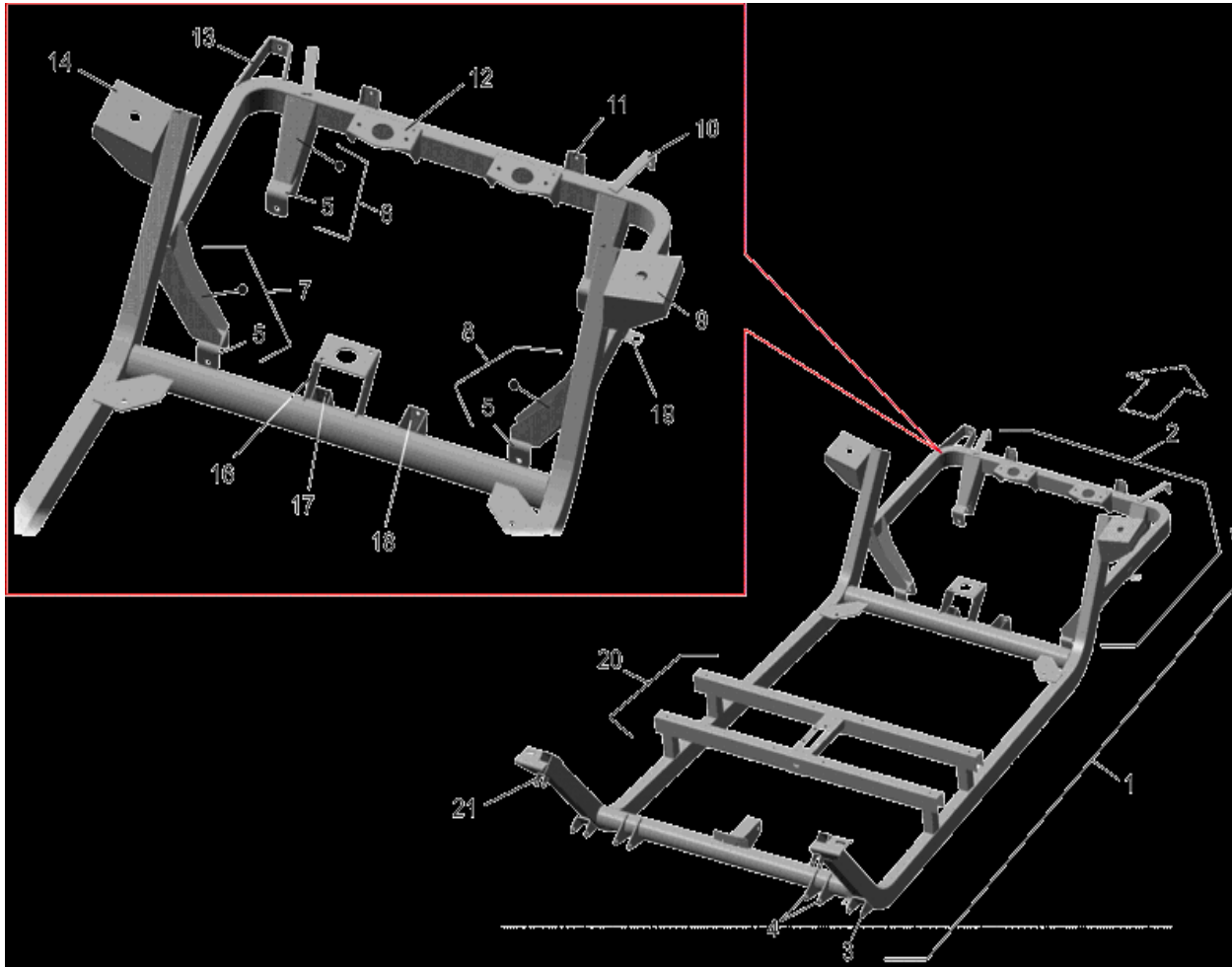


Bild 21, del 1

POSITION	ARTIKELNUMMER	BESKRIVNING
1	P0029029951	MOTOR BRACK 10 FR FRAME LF/RH
2	A0029081271	FRONT BRACKET LF/RH 72 GR CPL
3	A0029081172	FRONT BRACKET
4	P0029050020	REAR MOTOR BRACKET 72
5	A0029081162	FRONT BRACKET
6	072020001-6	
7	072020001-7	
8	P0029049960	REAR FORK STEEL FRAME 72
9	A0739082980	BODY FLATCAR FRAME 72 CF

Bild 21, del 2:



POSITION	ARTIKELNUMMER	BESKRIVNING
1	A0739083550	
2	A0060083051	
3	P0029049970	
4	P0029049960	REAR FORK STEEL FRAME 72
5	P0023029941	
6	A0029081270	FRONT BRACKET 10 FRAME A/RH
7	A0029081173	
8	A0029081163	
9	P0029050041	
10	P0029050150	
11	P0029050160	
12	P0029051870	
13	P0029050140	
14	P0029050031	
16	P0029051860	
17	P0029050010	
18	P0029049990	
19	P0024019190	FLEW TUBE BRACKET 60/10 GR
20	A0029084690	
21	P0023014751	

1 AB 1 RMIG

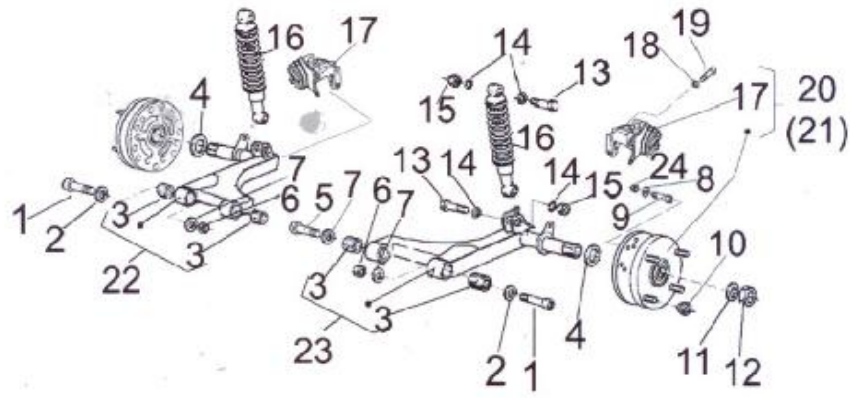
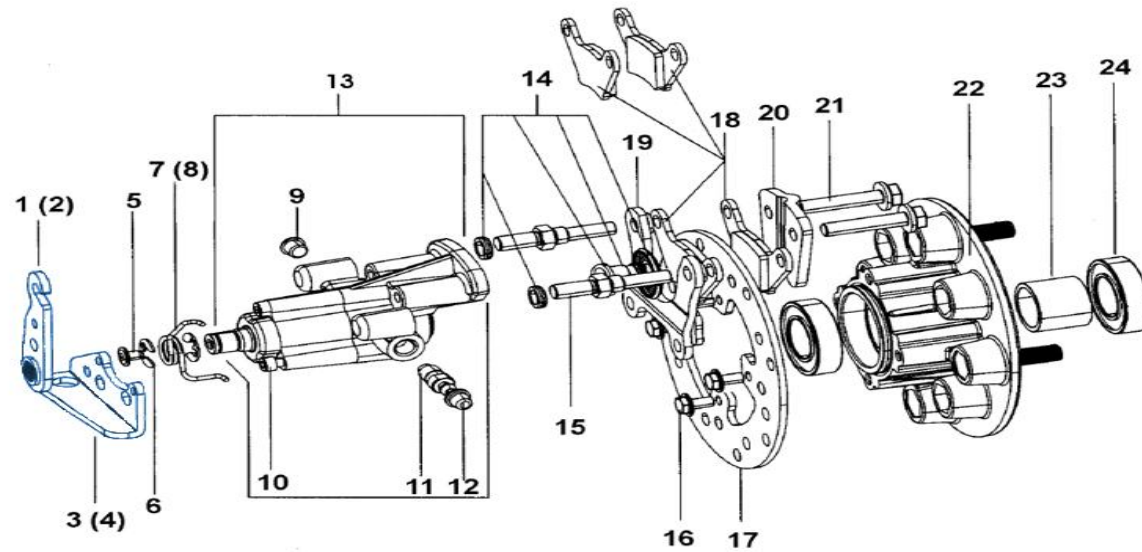


Bild 22 , del 1

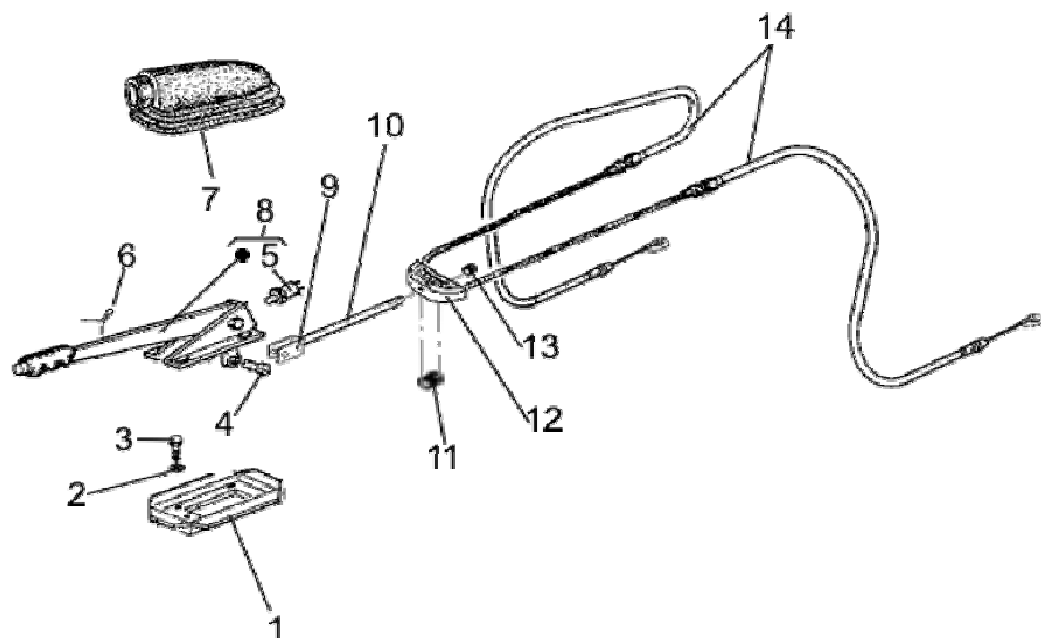
POSITION	ARTIKELNUMMER	BESKRIVNING	POSITION	ARTIKELNUMMER	BSKRIVNING
1	C0230012080	SCREW TBEI FI PG 12* 80 ZN 738	13	C0100010050	SCREW TE FM PG ZN 10* 50 573
2	P0112045760	WASHER 13*24*1.2 NX	14	C0800105210	WASHER 10 ZN 10,5*21*2 6592
3	C5105012014	ANTIVIBRATION DEVICE	15	C0370010000	NUT ABN PG ZN M10/H11,5 7473
4	P0010042171	SPACER D30*2H 13,0 REAR	16	F2107000032	REAR SHOCK ABSORBER
5	C0100012080	SCREW TE FM PG ZN 12* 80 573	17	F0040000679	REAR RH/LF BRAKE DISK PLIERS
6	C0370012000	NUT ABN PG ZN M12/H14 7473	18	D0103010012	WASHER 10*16*1,5 BRAKES
7	C0800130240	WASHER 12 ZN 13*24*2,5 6592	19	F0584000109	DRILLED SCREW TE 10*1 H19 10
8	C0800084170	WASHER 8 ZN 8,4*17*1,6 6592	20	F0040000736	
9	C0120008025	SCREW TCEI PG ZN 8* 25 5931	20-21	Se bild nedan	
10	F0040000538	NUT_MEX ES M10 FIS/WHEEL	22	G9003021824	GP 08 B/OSC REAR C/AV RH 1S
11	P0010033390	SPACER D34*4H 2 REAR	23	G9003021814	GP 08 B/OSC REAR C/AV LF 1S
12	F0014000222	RING NUT M25*1,5H8 MOZ/PO			



POSITION	ARTIKELNUMMER	BESKRIVNING	POSITION	ARTIKELNUMMER	BESKRIVNING
1	F0040000740		13	F0040000679	REAR RH/LF BRAKE DISK PLIERS
2	F0040000741		14	F0040000681	GASKET SET REAR GUN/BRAKE
3	F0040000738		15	F0040000680	PIN SET
4	F0040000739		16	F0040000702	SCREW 5*45 MEX DI
5	F0040000674	PLUG REAR PLIERS PVC	17	F0040000682	HUB DIS/P_DISC/NUDÝ150
6	F0040000675	ELASTIC RING ALB SN D12*1.5	18	F0040000735	PAD SET

POSITION	ARTIKELNUMMER	BESKRIVNING	POSITION	ARTIKELNUMMER	BESKRIVNING
7	P0101044290	SPRING REAR HUB LF DISC	19	F0040000685	PLATE GUN REAR DISK
8	P0101044300	SPRING REAR HUB RH DISC	20	F0040000684	PLATE REAR DISK
9	F0040000676	PLUG REAR PLIERS PVC	21	F0040000686	SCREW 8*40 MEX DI
10	F0040000676	PLUG REAR PLIERS PVC	22	F0040000687	HUB DIS/P_FLANGE/CPL
11	F0040000677	REAR CYLINDER DRAIN	23	F0040000688	SPACER _MEX DISC/BRAKE REAR
12	F0040000678	PLUG PIN REAR DISK	24	C5015006005	BEARING 6005 2RS 25*47*12

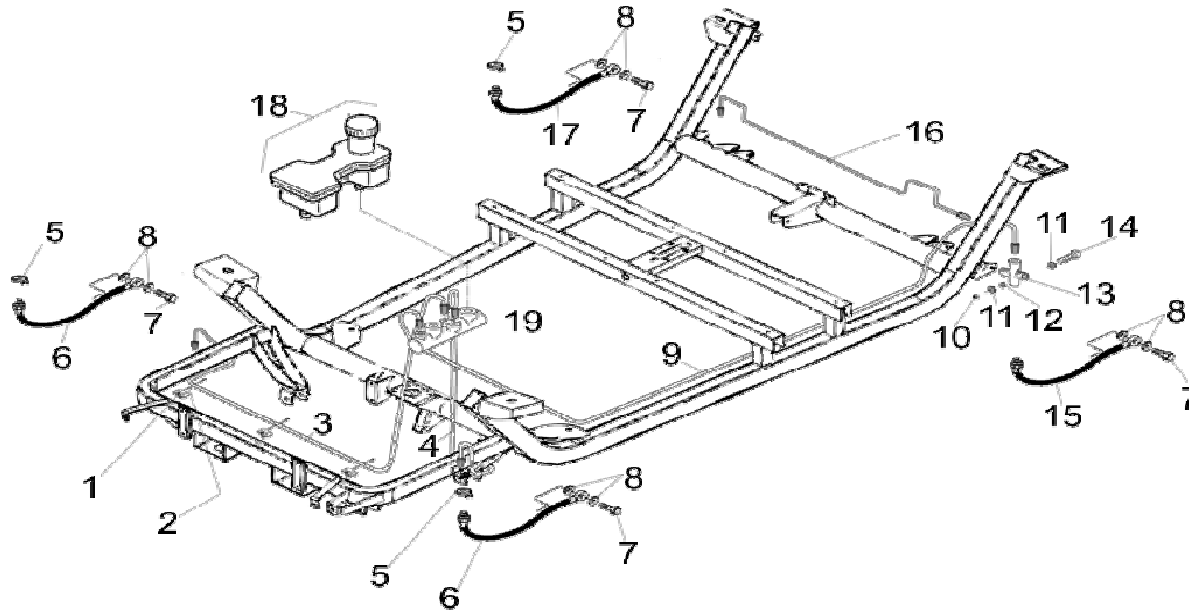
Bild 23, del 1:



POSITION	ARTIKELNUMMER	BESKRIVNING
1	P0129036640	BELLOWS BRACKET 10 Al
2	C0800084170	WASHER 8 ZN 8,4*17*1,6 6592
3	C0106008020	SCREW TE FI PG ZN 8* 20 573
4	P0102006250	PIN 8/10H20/2 C/HOLE D20 ZN

POSITION	ARTIKELNUMMER	BESKRIVNING
5	E0718000127	REGULATOR 10 2S
6	C0900020320	SPLIT PIN 2*32 - 2,5*36 133
7	F0114000017	BRAKE LEVER BELLOWS 10
8	F2154000006	BRAKE LEVER 10 L345 3S dis
9	P0123020240	PEDALS FORK TIE ROD 10 LZ
10	P0041043110	SCREW_TE 6*175 TIE ROD F 10
11	F0149000956	SPACER_PIAG D10H11 F/STAZ 1176
12	P0160026031	FORK TIE ROD ZN
13	C0314006000	NUT EN PG NX M 6/H 5 5588
14	P0038048090	BRAKE CABLE CPL 12 2S PREF

Bild 23, del 2:



POSITION	ARTIKELNUMMER	BESKRIVNING			
1	E0724000100	CLAMP BRACKET APM-6 PVC			
2	E0723005315	CLAMP L200*4,8 5315			
3	F0584000141	BRAKES PIPE 72 L1820pFR/RH			
4	F0584000123	BRAKES PIPE 10 L 500 FR/LF			
5	F0274000002	SPRING BUNDY 2V IND			
6	F0584000101	FR FLEXIBLE TUBE 10/60 L270			
7	F0584000109	DRILLED SCREW TE 10*1 H19 10			
8	D0103010012	WASHER 10*16*1,5 BRAKES			
9	F0584000137	BRAKES PIPE 12 L2200 CENTR			
10	C0370006000	NUT ABN PG ZN M 6/H 8 7473			
11	C0805066180	WASHER BL 6 ZN 6,6*18*2 6593			
12	P0110001850	SPACER D16*3,5H 8 SUP/DIF10			
13	F0274000007	BRAKES UNION 3V 10 10*1 2S			
14	C0106006100	SCREW TE FI PG ZN 6*100			

POSITION	ARTIKELNUMMER	BESKRIVNING
15	F0584000119	REAR/LF FLEXIBLE TUBE L420 M1
16	F0584000140	BRAKES PIPE 72 L1020P REAR
17	F0584000126	REAR/RH FLEXIBLE TUBE L420 M1
18	F2152000004	OIL TANK 2V DIR 10 C/T 2S
19	F2131000001	BRAKES PUMP 2V 10/60/80 S/F

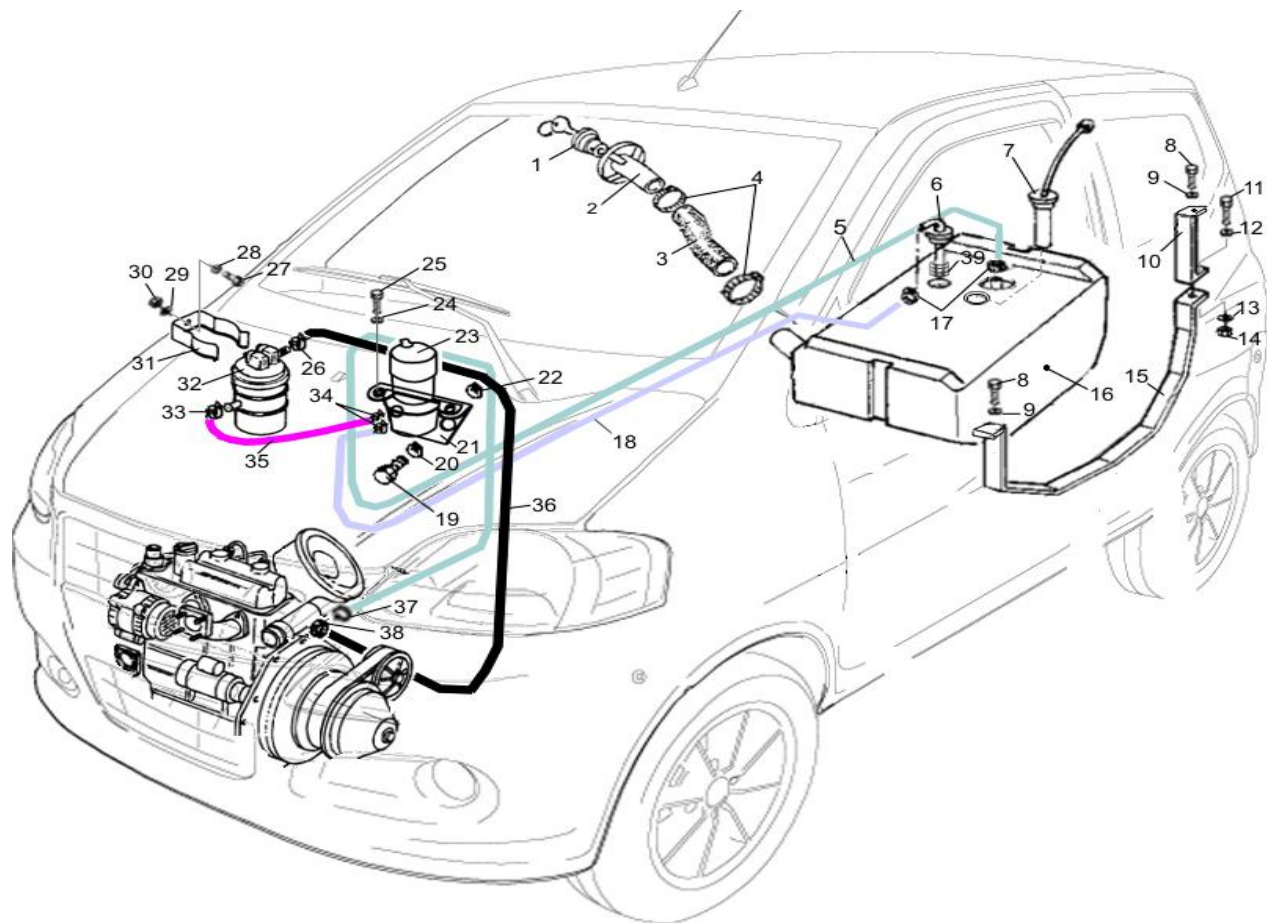
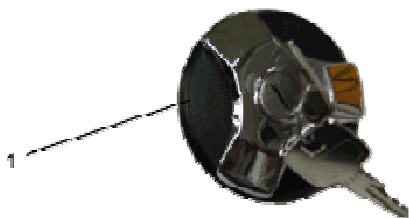


Bild 24

Position 1, bild 1



Bild 2, model 2



POSITION	ARTIKELNUMMER	BESKRIVNING	POSITION	ARTIKELNUMMER	BESKRIVNING
1 se bild	F0188000005	TANK PLUG D58 C/KEY 10/18	21	P0129036400	FUEL PUMP BRACKET 10M AL
1 se bild	F0188000008	TANK PLUG D58 C/KEY 10BT	22	C0370006000	NUT ABN PG ZN M 6/H 8 7473
2	A0760081251	SELVAGE CPL 10 D60 CF 2S	23	F0098000009	FUEL PUMP MITS 30A6000200
3	P0060045800	SLEEVE 60*4*103 10	24	C0805066180	WASHER BL 6 ZN 6,6*18*2 6593
4	C5130060090	SCREW CLAMP 60-90	25	C0106006030	SCREW TE FI PG ZN 6* 30 5739
5	Z0102005010	TUBE_WARP/FUEL D 5*10	26	C5130112000	SCREW CLAMP 13
6	F0499000108	FUEL FEELER 10	27	C0106006016	SCREW TE FI PG ZN 6* 16 5739
7	F0499000107	PRESSURE RESERVE FEELER 10	28	C0805066180	WASHER BL 6 ZN 6,6*18*2 6593
8	C0106006020	SCREW TE FI PG ZN 6* 20 57	29	C0805066180	WASHER BL 6 ZN 6,6*18*2 6593
9	C0805066180	WASHER BL 6 ZN 6,6*18*2 6593	30	C0370006000	NUT ABN PG ZN M 6/H 8 7473
10	P0160050290	REAR BAND ZN	31	F0098000055	FILTER FASTENING CLAMP
11	C0106006030	SCREW TE FI PG ZN 6* 30 5739	32	F0098000054	FUEL FILTER 10M CPL TN
12	C0800064125	WASHER 6 ZN 6,4*12,5*1,6 659	33	C5130110000	SCREW CLAMP 10
13	C0800064125	WASHER 6 ZN 6,4*12,5*1,6 659	34	C5130110000	SCREW CLAMP 10
14	C0370006000	NUT ABN PG ZN M 6/H 8 7473	35	Z0102005010	TUBE_WARP/FUEL D 5*10

15	A0160082260		36	Z0102007013	TUBE_WARP/FUEL D 7.5*14.5
16	P0060044280	PLASTIC FUEL TANK 10 3S	37	C5130110000	SCREW CLAMP 10
17	C5130110000	SCREW CLAMP 10	38	C5130112000	SCREW CLAMP 13
18	Z0102005010	TUBE_WARP/FUEL D 5*10			
19	C0106006025	SCREW TE FI PG ZN 6* 25 5739			
20	C0805066180	WASHER BL 6 ZN 6,6*18*2 6593			

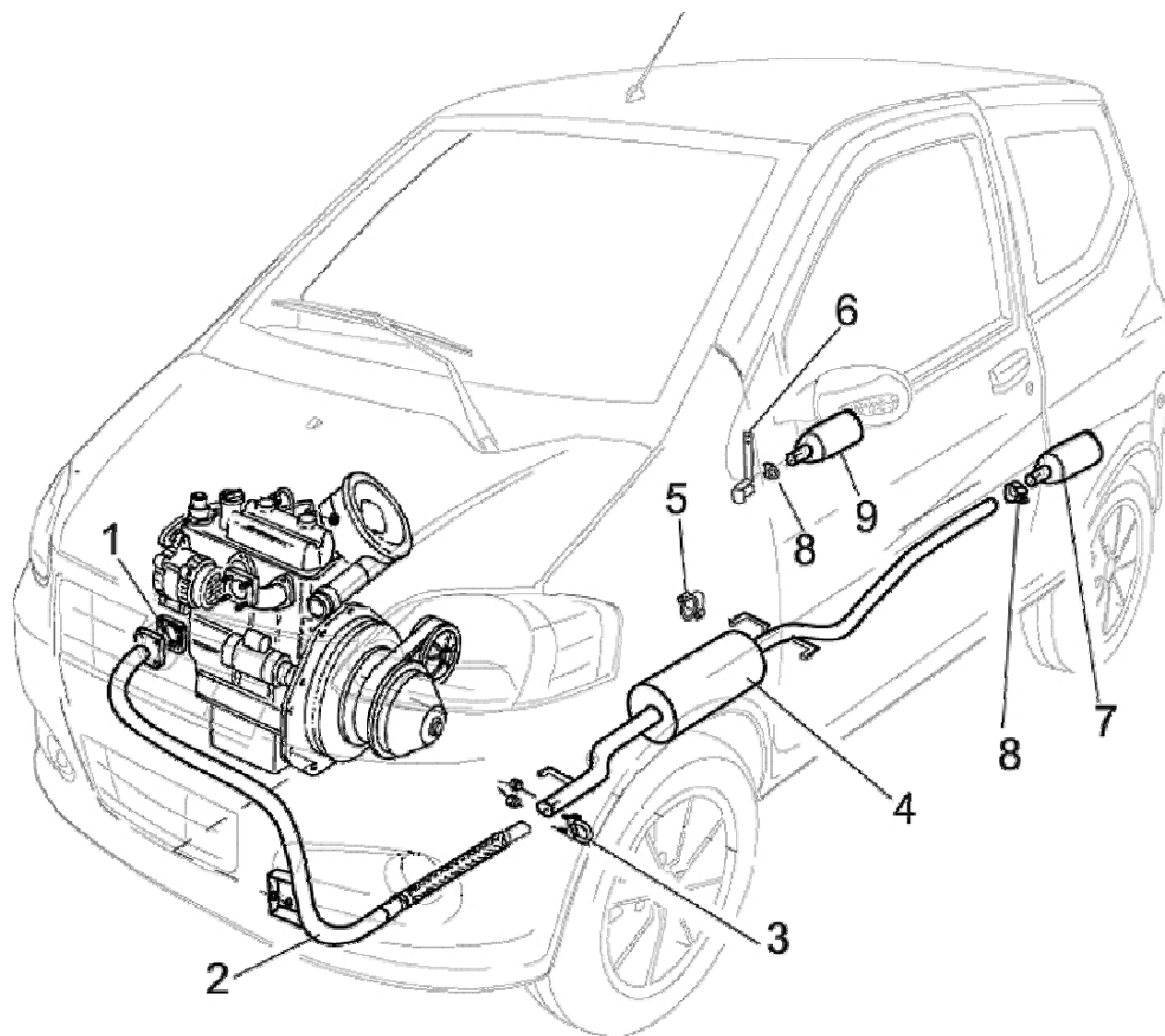


Bild 25

POSITION	ARTIKELNUMMER	BESKRIVNING
1	F0098000012	GASKET MITS 538
2	A0709083010	EXHAUST TUBE 72M 1PZ/Di30
3	C5131150000	HANGER CLAMP 1.5
4	A0760080815	
5	C5105020040	ANTIVIBRAT DEVICE MAR72
6	P0129052000	
7	A0760080816	
8	C5131100000	HANGER CLAMP 1
9	A0760080817	

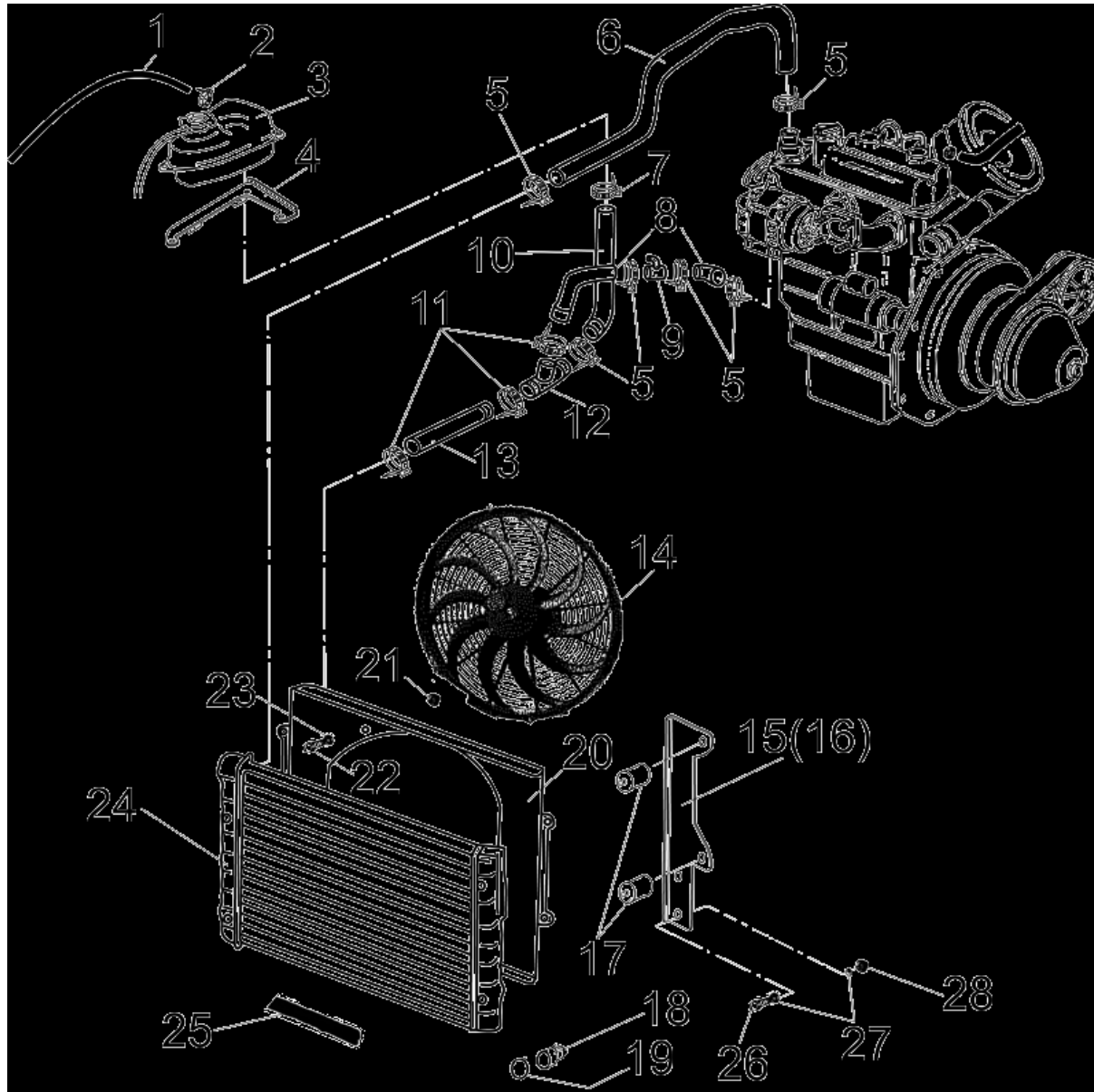


Bild 26

POSITION	ARTIKELNUMMER	BESKRIVNING
1	Z0102007013	TUBE WARP/FUEL D 7.5*14.5
2	C5130013000	SCREW CLAMP 0-13/12-14
3	F2182000138	COOLING LIQUID TANK 20
4	P0729050320	TANK/LIQUID BRACKET 72 CF
5	C5130020035	SCREW CLAMP 25-40 DALW2
6	P0060050230	SLEEVE D34/28 72M S
7	C5130018028	SCREW CLAMP 16-27/18-28
8	P0060050240	SLEEVE D35/28 72M I
9	F0099000358	UNION RAF/10L 3V D10/27
10	P0060050260	SLEEVE D30/19 72M I
11	C5130043047	SCREW CLAMP 32-50 DALW2
12	P0060046370	UNION RAF/20 3V
13	P0060050250	SLEEVE D35/32 72M I
14	F2105000032	FAN D280/ASP 72 1S
15	P0729050301	LF RADIATOR BRACKET 72 CF 2S
16	P0729050311	RH RADIATOR BRACKET 72 CF 2S
17	C5105040025	ANTIVIBRATION DEVICE
18	F0089000012	BULB RAF 10/LAT 2S
19	D0103022028	WASHER 22*28*1,5 7603
20	P0129050340	FAN BRACKET 72 ALL
21	C0370006000	NUT ABN PG ZN M 6/H 8 7473
22	C0106006016	SCREW TE FI PG ZN 6* 16 5739
23	C0800064125	WASHER 6 ZN 6,4*12,5*1,6 659
24	F2105000029	LAT RADIATOR 20 2S

POSITION	ARTIKELNUMMER	BESKRIVNING
25	Z0207010005	GASKET ADHESIVE BALL 100*050
26	C0106006016	SCREW TE FI PG ZN 6* 16 5739
27	C0805066180	WASHER BL 6 ZN 6,6*18*2 6593
28	C0370006000	NUT ABN PG ZN M 6/H 8 7473

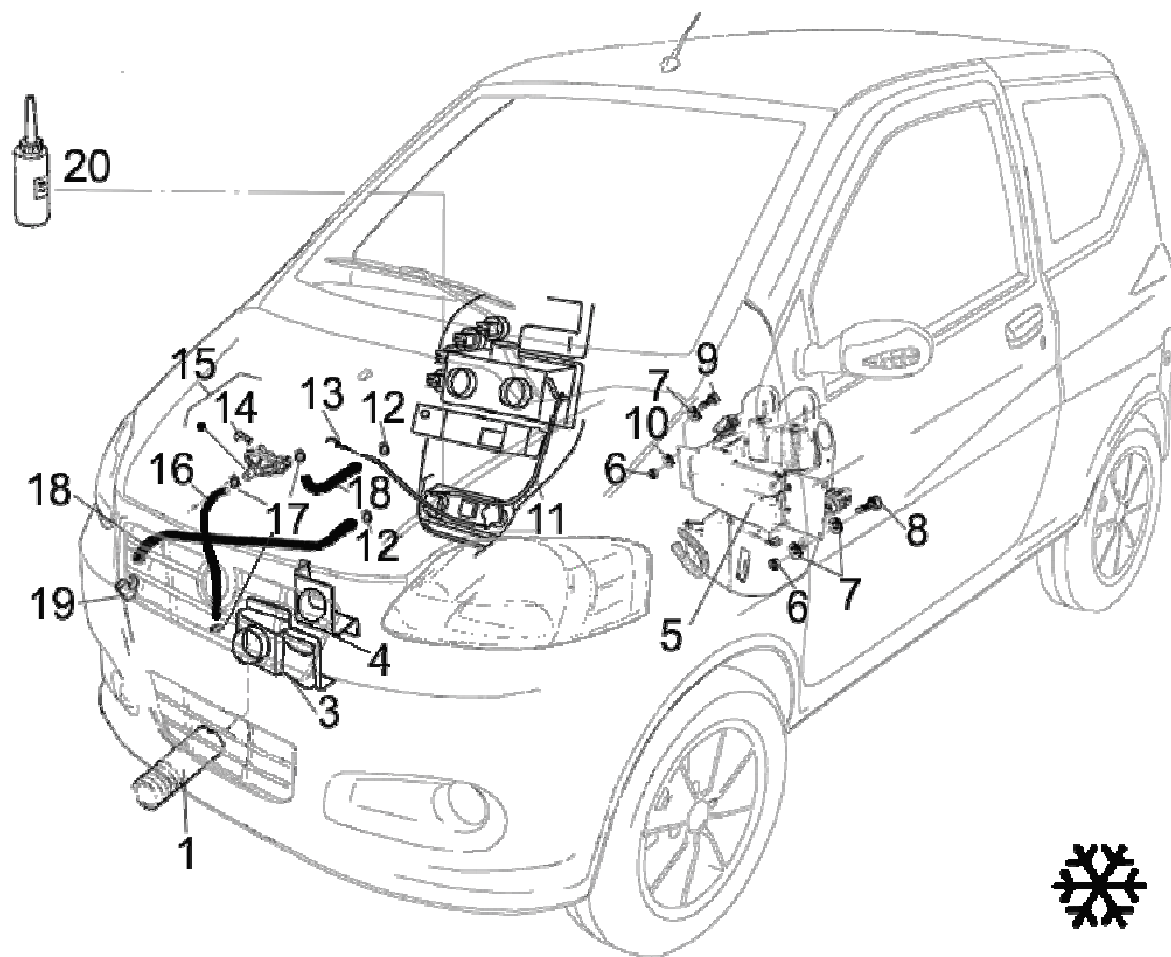


Bild 27, del 1:

POSITION	ARTIKELNUMMER	BESKRIVNING	POSITION	ARTIKELNUMMER	BESKRIVNING
1	Z0101070001	TUBE_SPR D70 RISC 10	10	C0810006002	WASHER BL 6 ZN 6,6*24*2
3	F2105000254		11	P0038050510	CABLE CPL 72
4	F2105000238		12	C5130018028	SCREW CLAMP 16-27/18-28
5	F2105000235	FAN 10 C/RADIAT CLIMATE	13	P0038050500	CABLE CPL 72
6	C0370006000	NUT ABN PG ZN M 6/H 8 7473	14	F2105000024	SPRING KAL 10 RUBIN
7	C0805066180	WASHER BL 6 ZN 6,6*18*2 6593	15	F2105000023	FEED COCK 10/KAL
8	C0106006025	SCREW TE FI PG ZN 6* 25 5739	16	Z0102013021	TUBE_WARP/HEATING 65/93/4 D1
9	C0106006030	SCREW TE FI PG ZN 6* 30 5739	17	C5130009016	SCREW CLAMP 9-22/12-22
			18	Z0102013021	TUBE_WARP/HEATING 65/93/4 D1
			19	F0099000358	UNION RAF/10L 3V D10/27
			20	U3111000106	CLUE MA310 C/MIX

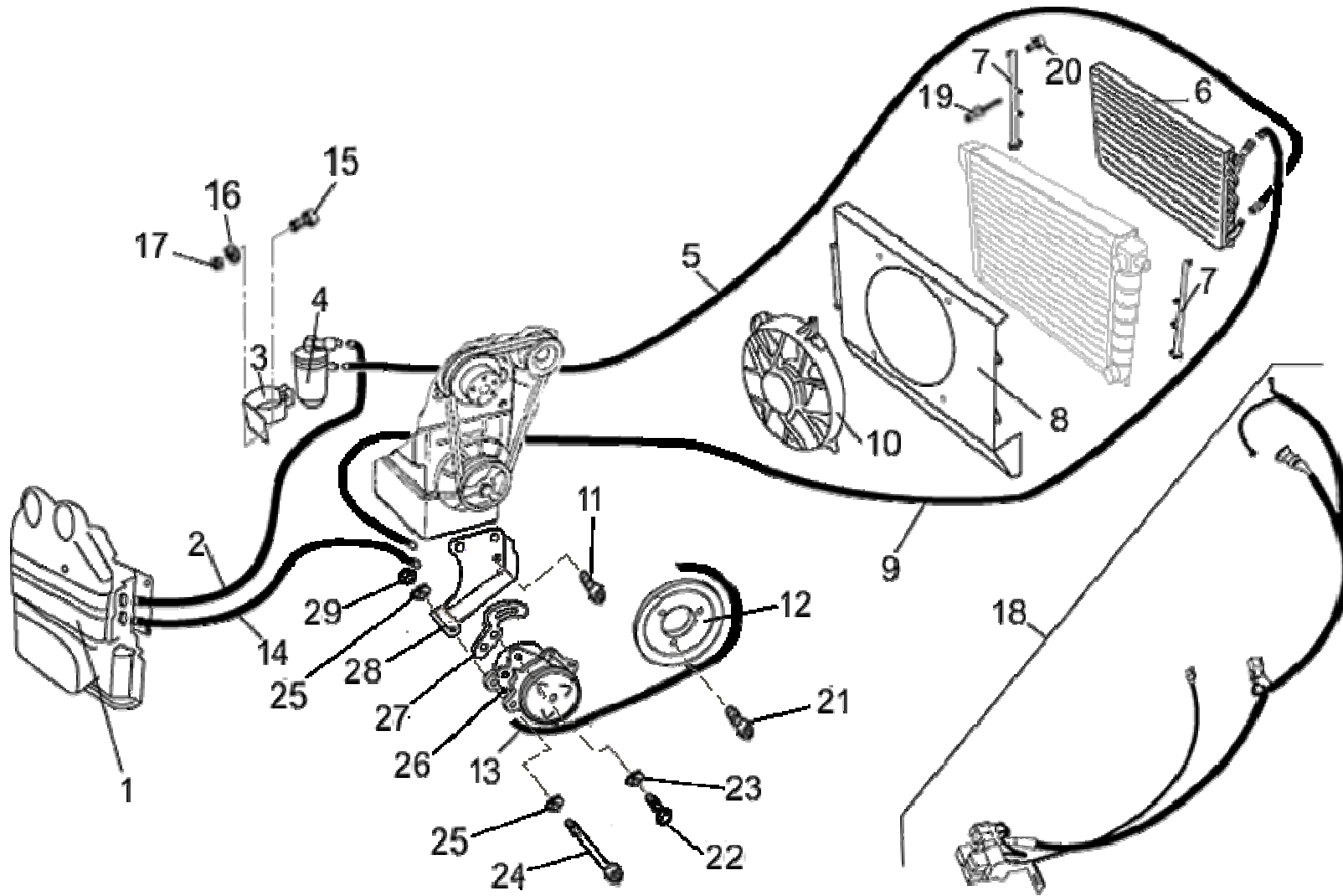
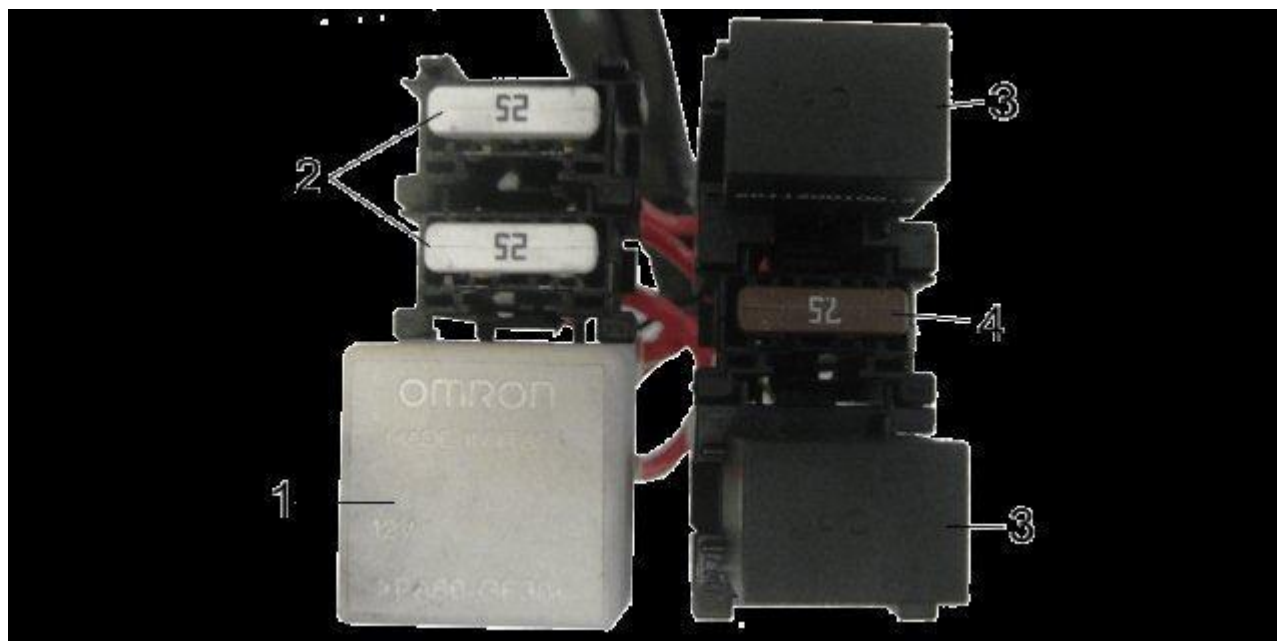


Bild 27, del 2:

POSITION	ARTIKELNUMMER	BESKRIVNING	POSITION	ARTIKELNUMMER	
1	F2105000235	FAN 10 C/RADIAT CLIMATE	15	C0106006020	SCREW TE FI PG ZN 6* 20 57
2	F2105000231	CLIMATE TUBE 5/16	16	C0810006002	WASHER BL 6 ZN 6,6*24*2
3	A0129081880	BRACKET CLIMATE ZN	17	C0370006000	NUT ABN PG ZN M 6/H 8 7473
4	F2105000210	CLIMATE DRIER FILTER	18	F2105000259	
5	F2105000230	CLIMATE TUBE 5/16	Ring runtsäkringarna del av position 18 Se nedan		
6	F2105000206	CLIMATE CONDENSER	19	C5001030160	RIVET TN AL/ZN 3*12
7	P0129050330	BRACKET WITH/CLIMATE 72 ZN	20	C0510055130	SCREW AF TE ZN 5,5*16 6950
8	P0129050341	FAN BRACKET 72 ALL CL	21	072272001-25	SCREW TCEI 10X45
9	F2105000257		22	C0106008020	SCREW TE FI PG ZN 8* 20 573

10	F2105000034	FAN D280/ASP 72CL	23	C0816008000	GROWER WASHER GR/ZN 8
11	C0123010020		24	C0120008100	
12	P0006051980		25	C0800084170	WASHER 8 ZN 8,4*17*1,6 6592
13	C5140003010		26	F2105000200	CLIMATE COMPRESSOR
14	F2105000258		27	P0125051930	
			28	A0729083560	
			29	C0370008000	NUT ABN PG ZN M 8/H 9,5 7473



Säkringar

POSITION	ARTIKELNUMMER	BESKRIVNING
1	E0717000125	RELAY CLIMATE 08/10/12/72 M5
2	E0713002500	FUSE 25A

3	073273001-3	
4	E0713007500	FUSE 7,5A

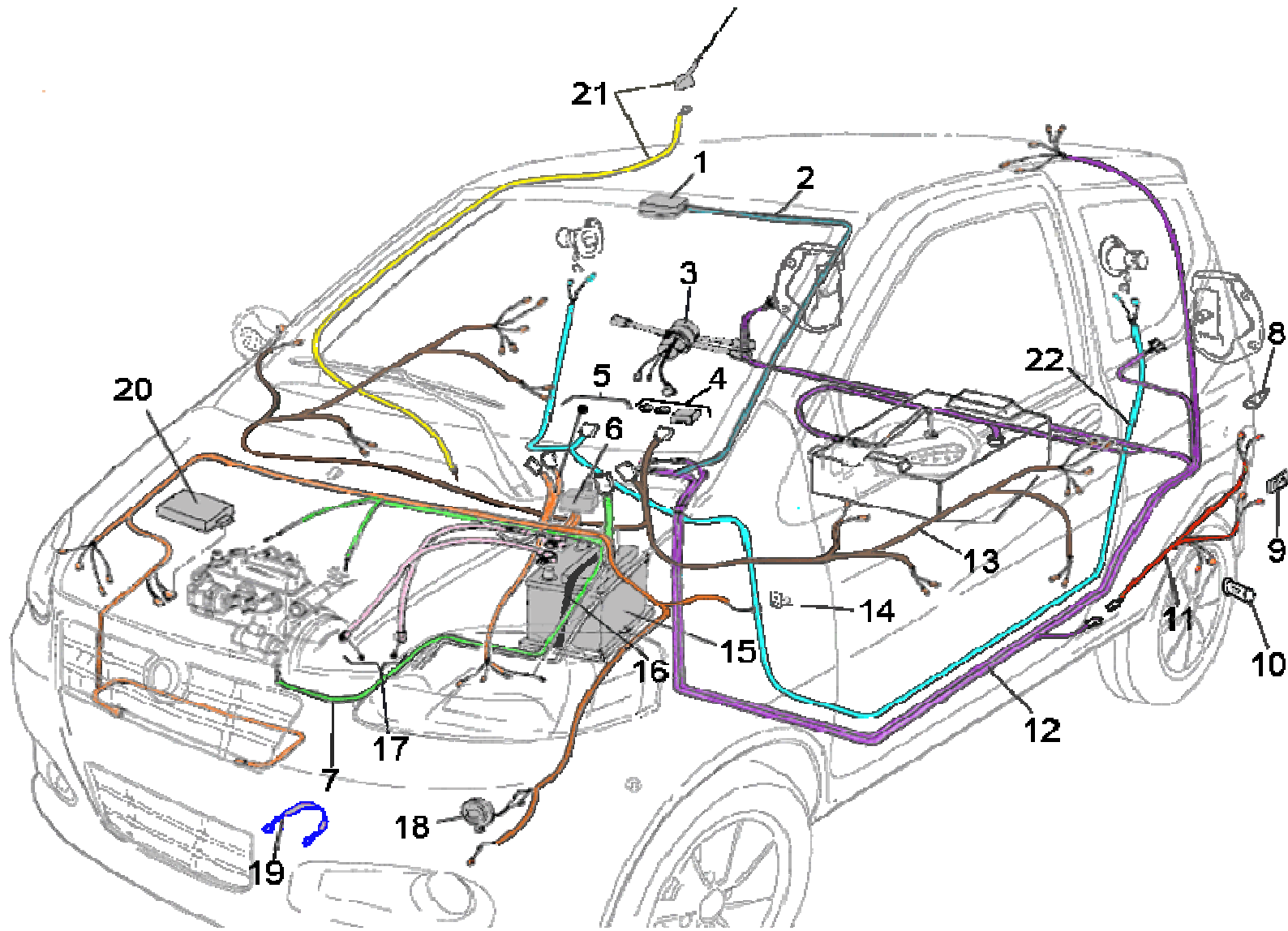
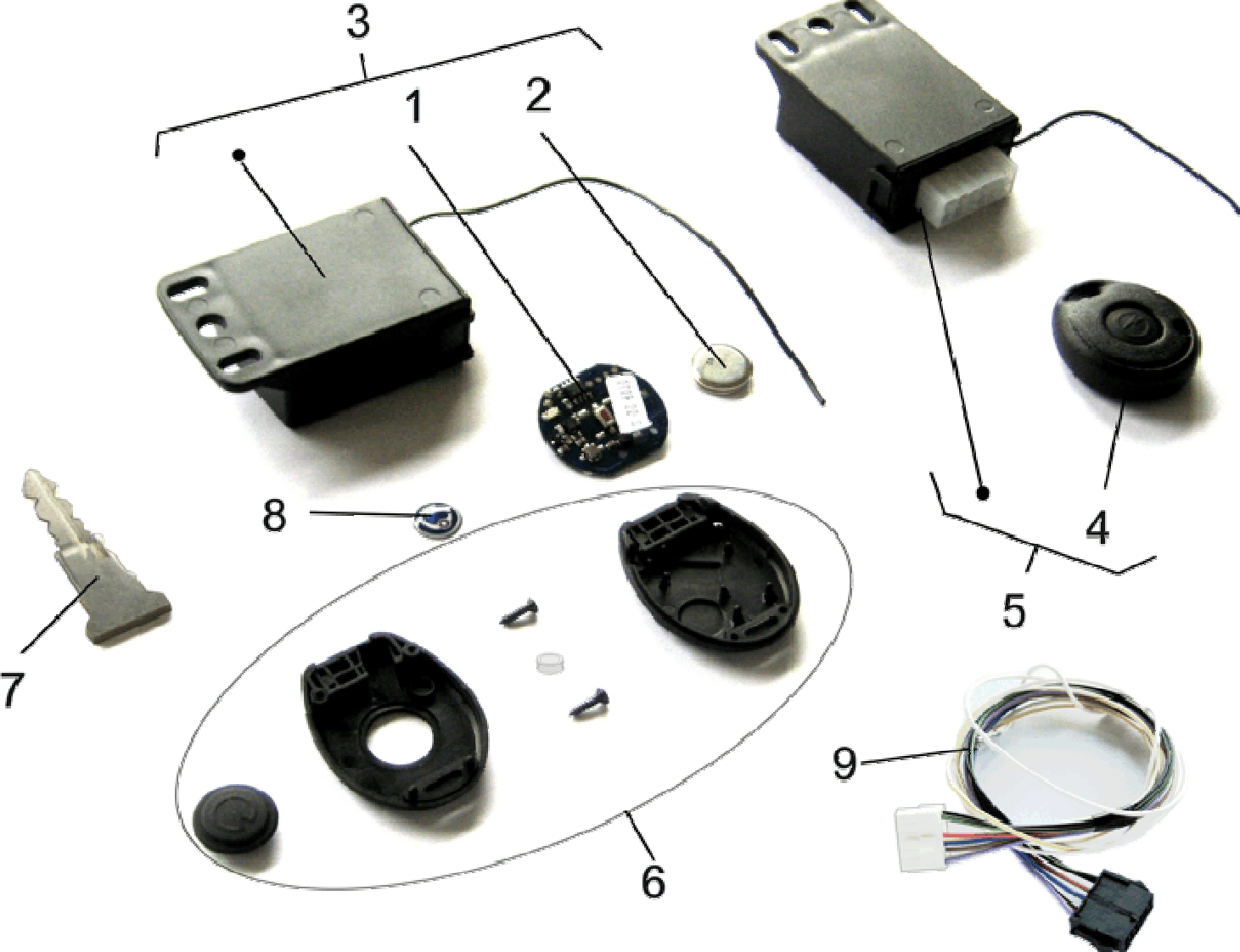


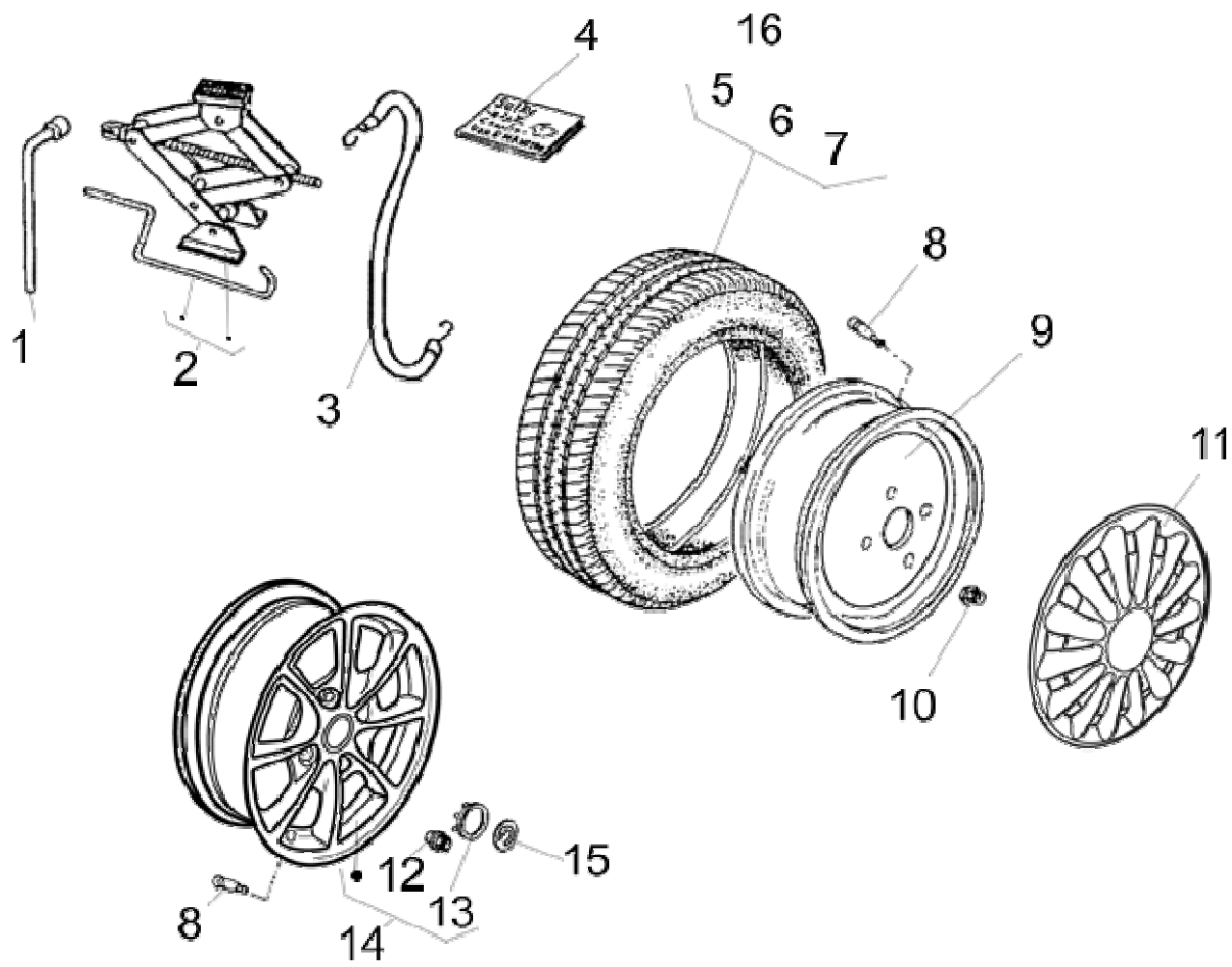
Bild 28

POSITION	ARTIKELNUMMER	BESKRIVNING	POSITION	ARTIKELNUMMER	BESKRIVNING
1	F2115000004	CEILING BOWL 72 GREY C/LAMP	13	P0060050111	
2	P0060050080	FRAME WIRING 72M/L PLAFON	14	F0089000006	REGULATOR 10
3	F2104000004	SHUNTING LINE LIGHTS 72	15	E0301000330	BATTERY 12V/330A/45AH 20
4, se bild nedan			16	P0160045931	FASTENING BATTERY 72/CLI A BAN
5	P0060050090	FR FRAME WIRING 72M 1S	17	P0060050120	FRAME WIRING 72M STORAGE
6	E0717000121	RELAY GLOW PUGS 10/18	18	F2103000002	HORN 12V
7	P0060050100	FRAME WIRING 72M MOTOR	19	P0060017701	WIRE 230 D8/D8-BLACK
8	F0089000003		20	F0098000010	ENGINE STOP RELAY 10 M538 4KW
9	F2115000005		21	F2184000023	ROOF AERIAL
10	F2168000103				
11	P0060051330				
12	P0060051320				



Position 4,

POSITION	ARTIKELNUMMER	BESKRIVNING
1	F2182000143	
2	E0301001616	
3	F2182000144	
4	F2182000136	
5	F2182000124	
6	F2182000142	
7	E0728000132	
8	P0014051920	
9	P0060046050	



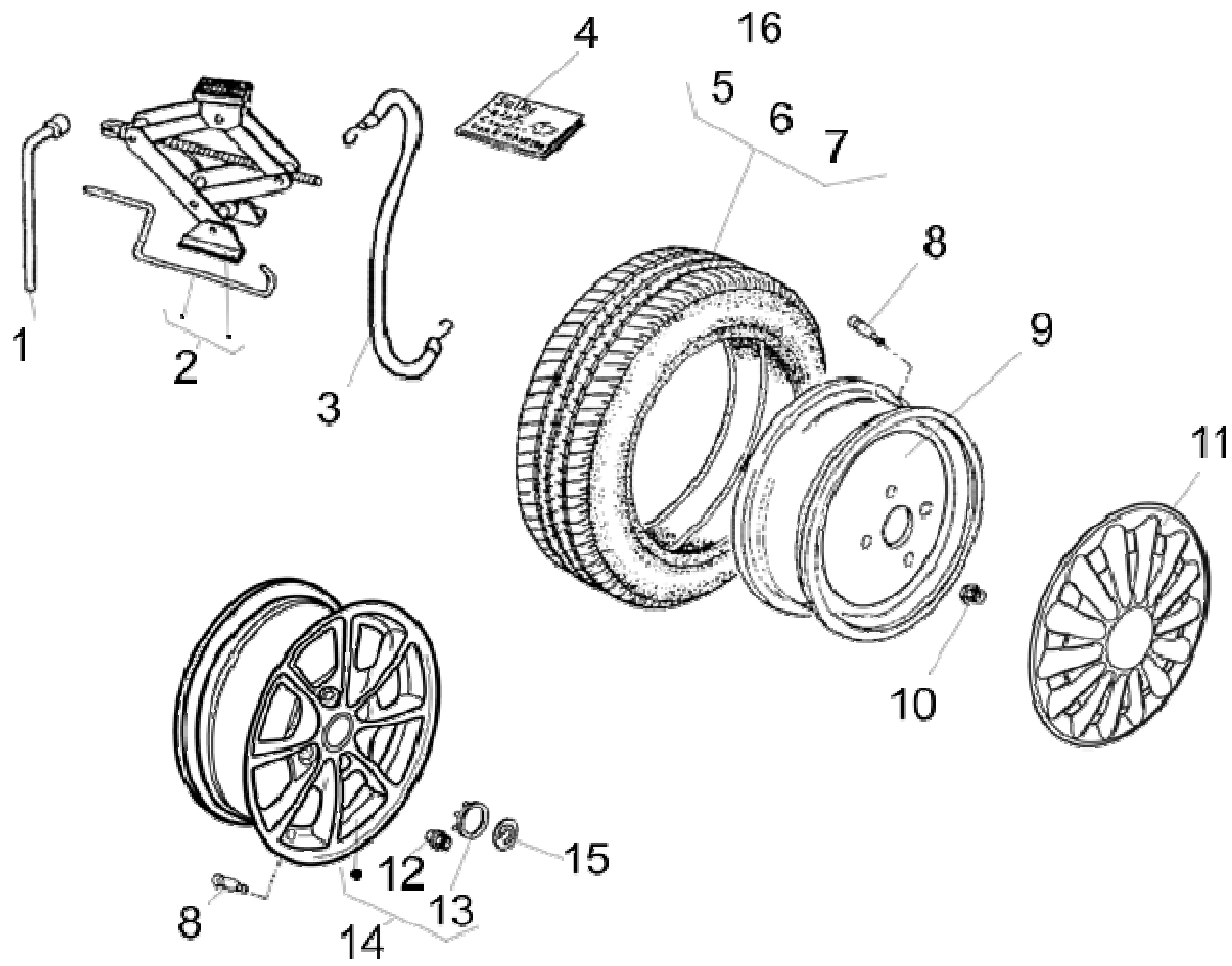
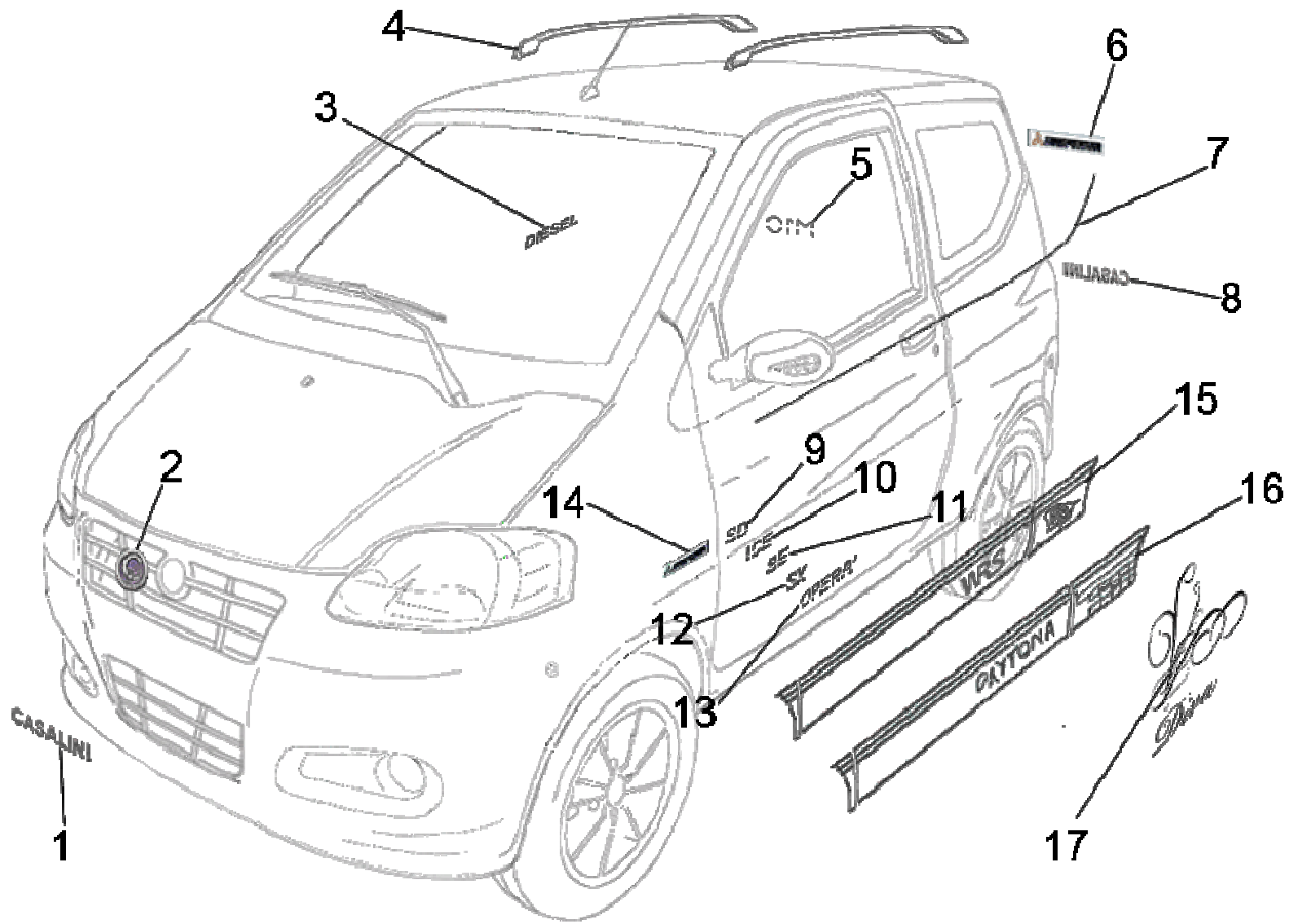


Bild 29 hjul och däck

POSITION	ARTIKELNUMMER	BESKRIVNING
1	F2129000004	WHEEL/10 STORE 19MM KEY
2	F2130000003	CRICK C/WINCH 10
3	F2127000001	ELASTIC CRICK SPARE WHEEL
4	P0060037584	BOOKLET USE/MAINTENANCE 72M
5	F2135000008	COVERING 135/70-R13 10
6	F2135000014v	COVERING 155/65-R14 72
7	F2135000015	COVERING 165/60-R14 72
8	F2183000100	TUBLESS VALVE
9	P0060039420	WHEEL RIM 400/13 10/ACC
10	F0040000538	NUT_MEX ES M10 FIS/WHEEL
11	P0060045140	WHEEL COVER ABS 13
12	F0040000734	
13	C5200000011	ALLOY RIM PLUG 14
14	Se bild nedan	
15	P0014041121	DROP ROUND ADHESIVE D53



POSITION	ARTIKELNUMMER	BESKRIVNING
1	P0060049822	
2	P0060049823	
3	P0060049820	WHEEL RIM 450/14 72L/GRAY NUTS
4	P1060049820	WHEEL 450/14 72L/BIA C/NUTS



POSITION	ARTIKELNUMMER	BESKRIVNING
1	P0014041140	STICKER DROP CASALINI
2	P0014041121	DROP ROUND ADHESIVE D53
3	P0014037850	ADHESIVE DIESEL
4	G0002023150	
5	P0014051970	DROP STICKER SULKY/M10
6	P0014051110	MITSUBISHI ADHESIVE L300
7	U9021000574	ADHESIVE TAPE 72 PARA/A
8	P0014041140	STICKER DROP CASALINI
9	P0014052080	ADHESIVE SD
10	P0014052090	ADHESIVE ICE
11	P0014052070	ADHESIVE SE
12	P0014052060	ADHESIVE SX
13	P0014052100	
14	P0014038850	STICKER MITSUBISHI SIDE

15	P0014051771	
16	P0014051770	ADHESIVE 72 DAYTONA CPL D/S
17	P0014054000	