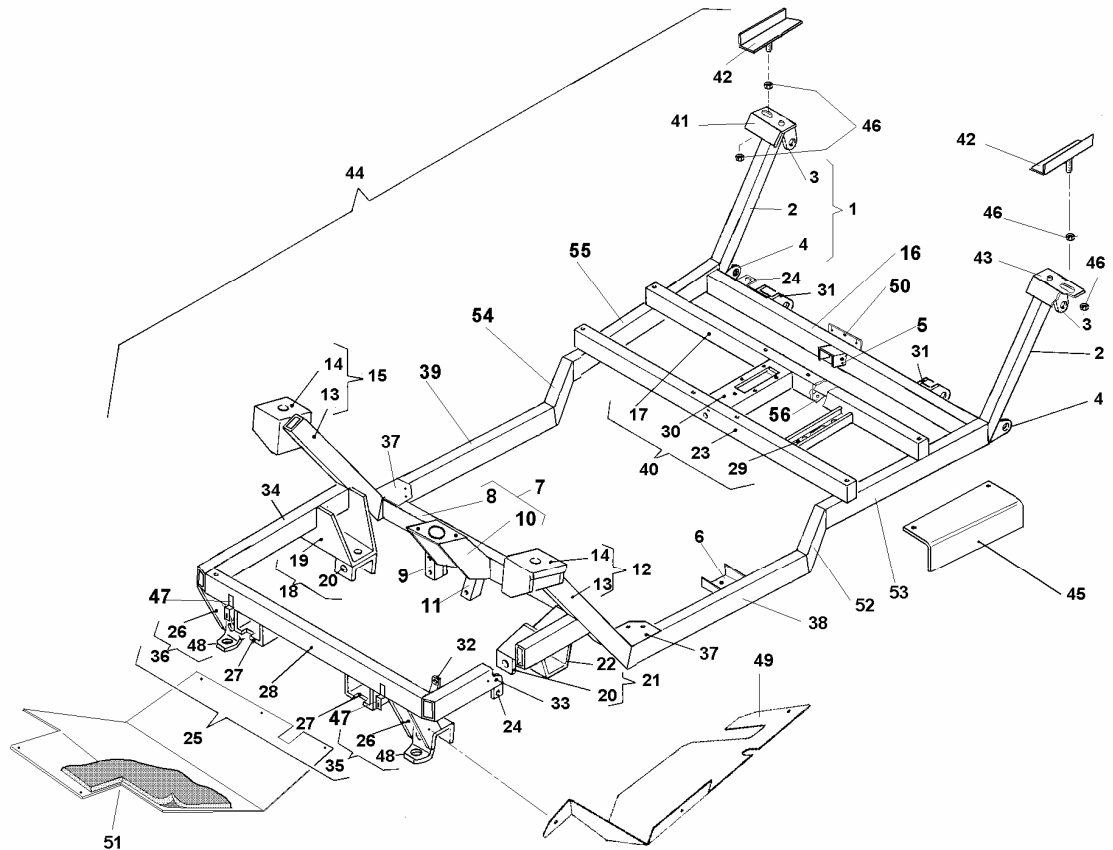


001.tif

RIF.	CODICE-CODE	DESCRIZIONE
1	P0060040470	PARAFANGO 10 ANT INT/D RAD/LAT
2	P0060042840	FIANCO 10 POST SX VTR TN
3	P0060037660	PARAFANGO 10 ANT INT/SX VTR
4	P0060037670	FIANCO 10 ANT EST SX VTR
5	P0060037680	FIANCO 10 ANT EST DX VTR
6	P0060037690	PROFILO 10 V/PORTA INF SX VTR
7	P0060037700	PROFILO 10 V/PORTA INF DX VTR
8	P0060042850	FIANCO 10 POST DX VTR TN
9	P0060037740	FIANCO 10 CPL.SX VTR TV
10	P0060037730	PROFILO 10 V/PORTEL INF VTR
11	P0060037750	FIANCO 10 CPL.DX VTR TV
12	A0039081960	SCocca 10/VTR GR 3S 10 Me

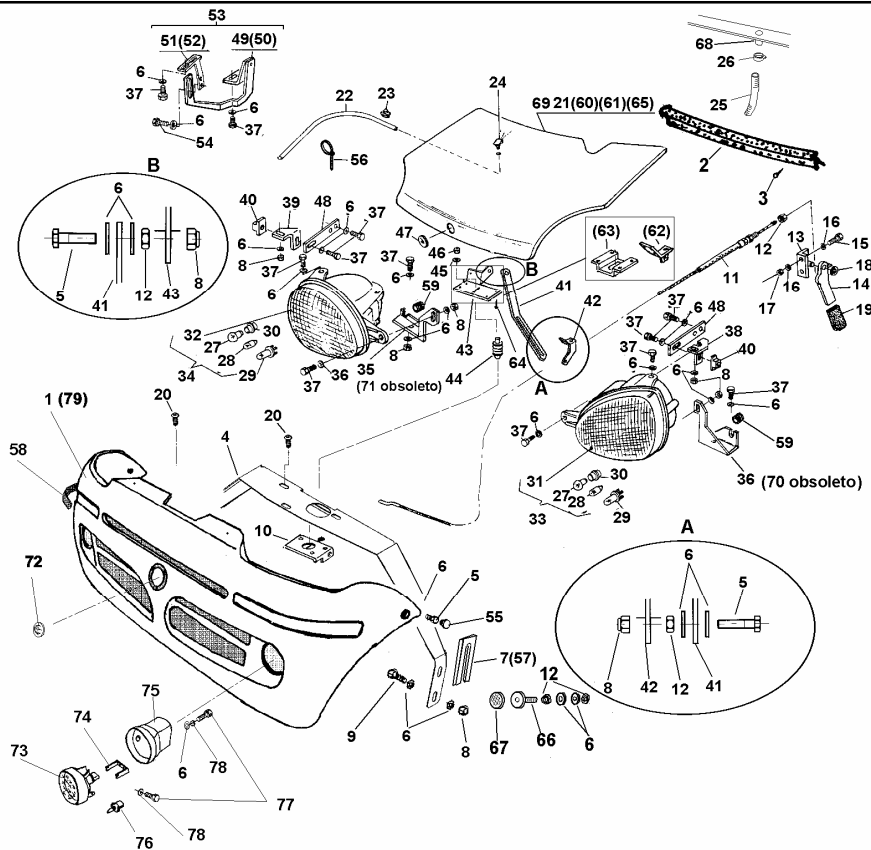
RIF.	CODICE-CODE	DESCRIZIONE
------	-------------	-------------



003.tif

RIF.	CODICE-CODE	DESCRIZIONE
1	A0060081120	PROFILO 10 TELAIO LONG/POST
2	P0009033380	TUBO R40*30*2H440 TEL/10 POST
3	P0023008190	FORCELLA AMMORT/POST 57/60 GR
4	P0023029990	SUPP B/OSC POS 10 LAT DX/SX
5	P0029033240	SUPP CINT/SIC TELAIO 10 CENT
6	P0029035250	SUPP TUBO SCARICO TELAIO10 ANT
7	A0060081131	PROFILO 10 TELAIO LONG/CENT Me
8	P0009033341	TUBO D60*3H715 TEL/10CENT
9	P0029033432	SUPP SC/GUIDA 10 TELAIO DX 3S
10	P0029029982	SUPP MOT 10 TELAIO POS C 4S
11	P0029033442	SUPP SC/GUIDA 10 TELAIO SX 3S
12	A0060081141	PROFILO 10 TELAIO LONG/SX 2S
13	P0009033331	TUBO R60*30*3H440TEL/10ANT AMM
14	P0029029430	SUPP AMMORTIZ ANT TELAIO 10
15	A0060081151	PROFILO 10 TELAIO LONG/DX 2S
16	P0009033370	TUBO R60*30*3H930 TEL/10 POST
17	P0029033260	SUPP SEDILE 10 TELAIO POST
18	A0029081160	SUPP B/OSC ANT 10 TEL P/DX CPL
19	P0029033400	SUPP B/OSC ANT 10 RINF POST DX
20	P0023029940	SUPP B/OSC ANT 10 FORCELLA POS
21	A0029081170	SUPP B/OSC ANT 10 TEL P/SX CPL
22	P0029029960	SUPP B/OSC ANT 10 RINF POST SX
23	P0029033270	SUPP SEDILE 10 TELAIO ANT
24	P0024019190	SUPP TUBO FLEX 60/10 GR
25	A0060081181	PROFILO 10 TELAIO LONG/ANT 2S
26	P0029029930	SUPP B/OSC ANT 10 RINF ANT
27	P0029029951	SUPP MOT 10 TELAIO ANT S/D 2S
28	P0009033310	TUBO R50*30*3H710TEL/10ANT CEN

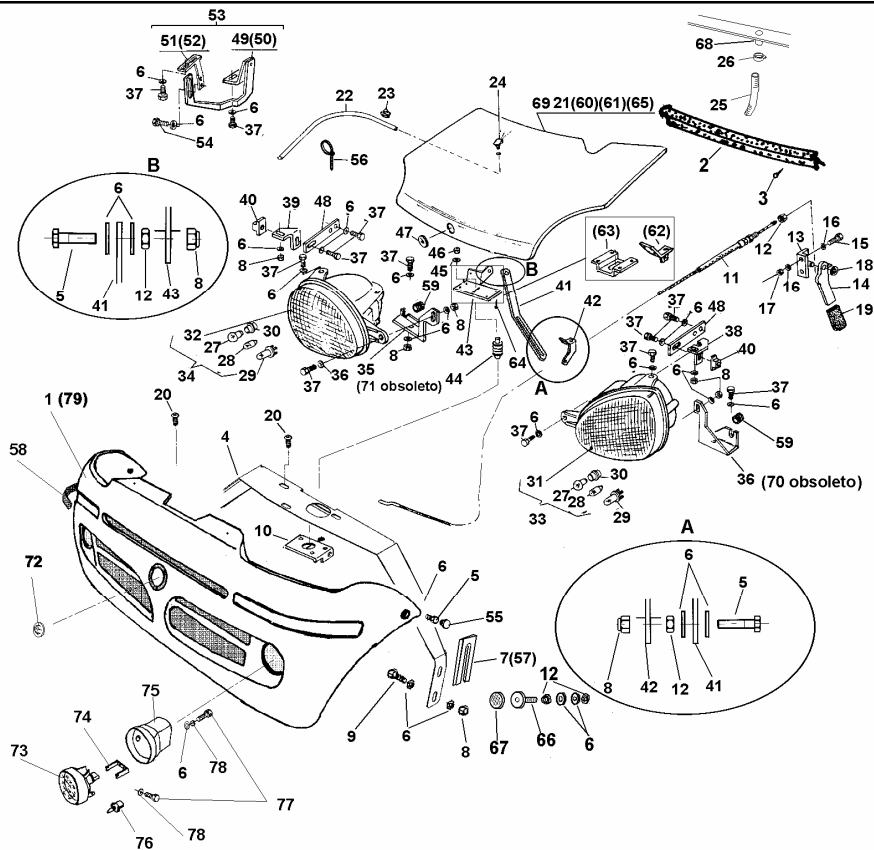
RIF.	CODICE-CODE	DESCRIZIONE
29	P0029035240	SUPP TUBO SCARICO TELAIO10 POS
30	P0029033250	SUPP FRENO STAZ TELAIO 10
31	P0029038030	SUPP B/OSC POS 10 CENTR-B/INDI
32	P0029035950	SUPP AVVISATORE ACUSTICO 10
33	P0009033320	TUBO R50*30*3H502TEL/10ANT SX
34	P0009038470	TUBO R50*30*3H502TEL/10ANT DX
35	A0029081260	SUPP B/OSC ANT 10 TEL A/SX CPL
36	A0029081270	SUPP B/OSC ANT 10 TEL A/DX CPL
37	P0021030000	RINF TELAIO 10 ANT SX/DX
38	P0009033351	TUBO R60*30*3H0680TEL/10LAT SX
39	P0009033361	TUBO R60*30*3H0680TEL/10LAT DX
40	A0029081280	SUPP SEDILI 10 TELAIO CPL
41	P0721042270	PIASTRA SUPP/SCOC TELAIO 10 SX
42	P0729042290	SUPP SCOCCA POST 10 DX/SX CF
43	P0721042280	PIASTRA SUPP/SCOC TELAIO 10 DX
44	A3239081950	TELAIO PIANALE SCOCCA 10Me ZN
45	P0721042180	RINF PIANALE/SEDILE 10 CF
46	C0323012000	DADO EB PF ZN M12*1,25H7 5589
47	P0029042480	SUPP SCONTRO PARAURT/ANT 10 GR
48	P0023042510	SUPP B/OSC ANT 10 FORCELLA ANT
49	P0130042970	CARTER PROT VAR 10M AL
50	P0029043100	FERMACAPO FRE/STAZ 10 GR
51	G9003022550	GP 10 CARTER MOT INF
52	P0009033352	TUBO R60*30*3H0115TEL/10LAT SX
53	P0009033353	TUBO R60*30*3H0490TEL/10LAT SX
54	P0009033362	TUBO R60*30*3H0115TEL/10LAT DX
55	P0009033363	TUBO R60*30*3H0490TEL/10LAT DX
56	P0029043680	SUPP MARM 10 CENT TN



004-02.tif

RIF.	CODICE-CODE	DESCRIZIONE
1	P2060042240	PARAURTI 10/ABS ANT GM/2126
2	Z0201560105	GUARNIZ 10 VANO COF/ANT
3	C0553029130	VITE AF TC BIC NI 2,9*13 6954
4	P0129040370	SUPP PARAURTI ANT 10 ZN
5	C0106006025	VITE TE FI PG 6* 25 5739
6	C0805066180	ROND BL 6 ZN 6,6*18*2 6593
7	P0121042600	SPES SUPP/PARA ANT 10 AL H40
8	C0370006000	DADO ABN PG ZN M 6/H 8 7473
9	C0106006030	VITE TE FI PG ZN 6* 30 5739
10	F2111000013	SERRATURA 10 COF/ANT
11	P0038039630	CAVO CPL APRICOFANO ANT 10
12	C0310006000	DADO EN PG ZN M 6/H 5 5588
13	A0129019720	SUPP COF/POST 80 C/PERNO ZN
14	P0132015840	LEVA APRICOFANO ANT 10 ZN
15	C0106005035	VITE TE FI PG ZN 5* 35 5739
16	C0800053100	ROND 5 ZN 5,3*11*1,5 COMM
17	C0370005000	DADO ABN PG ZN M 5/H 6,3 7473
18	C0923008000	STARLOCK D 8
19	F2159000001	POMOLO R20*5 NERO/INV-COF
20	C0573006016	VITE TBLICombi ZN 6*16
21	A2060081760	COFANO ANT 10 VM
22	Z0106004000	TUBO_TRASP D 4* 6 TERGI
23	E0724000100	SUPP FASCETTA INNEST APM-6 PVC
24	F2181000100	SPRUZZATORE TERGI 3 VIE
25	Z0101020000	TUBO_SPR D20 SCARICO H2O 10
26	C5130018028	FASCETTA A VITE 16-27/18-28
27	E0205012021	LAMPADA 1L/ABP 12/21 POST/LAMP
28	E0202012050	LAMPADA INDICAT/GRA 12/5

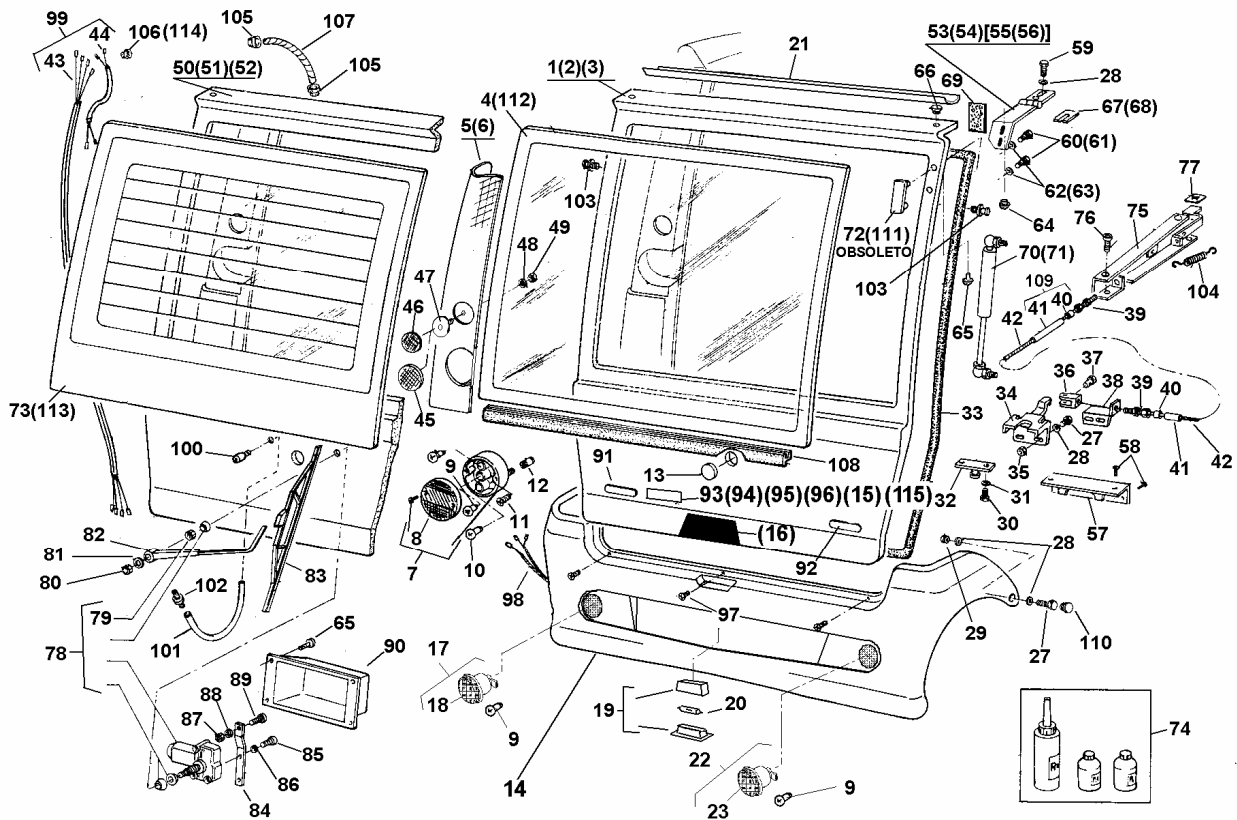
RIF.	CODICE-CODE	DESCRIZIONE
29	E0215125560	LAMPADA ALOG ANT 12/55-60
30	F2102000033	PORTALAMPADA FARO/LAMP ANT 10
31	F2102000032	FARO ANT 3L 10 SX NUDO
32	F2102000031	FARO ANT 3L 10 DX NUDO
33	F2102000024	FARO ANT 3L 10 SX CPL
34	F2102000023	FARO ANT 3L 10 DX CPL
35	P0129042130	SUPP FARO ANT 10 3S DX ALLU
36	P0129042120	SUPP FARO ANT 10 3S SX ALLU
37	C0106006020	VITE TE FI PG ZN 6* 20 5739
38	P0129036610	SUPP FARO ANT 10 LAT/SX ALLU
39	P0129036620	SUPP FARO ANT 10 LAT/DX ALLU
40	C0375006011	DADO GABBIA ZN M 6*2,6-3,5
41	P0729041650	SUPP COF/ANT 10 ASTA/BASCU VN
42	P0729041660	SUPP ASTA/BASCU ANT 10/SCOC ZN
43	P0160041880	RINF COF/ABS 10 SUPP ASTA ZN
44	F2111000014	SCONTRO COF/ANT 10 PERNO
45	C0810008005	ROND BL 8 ZN 9*32*2,5 SPEC
46	C0310008000	DADO EN PG ZN M 8/H 6,5 5588
47	P0014041130	ADESIVO DROP TONDO CAS VOL 2S
48	P0129036600	SUPP FARO ANT 10 SUP DX/SX ALL
49	G9060021330	GP 10 CERN COF/ANT SX CF TN
50	G9060021340	GP 10 CERN COF/ANT DX CF TN
51	P0717040160	CERN COF/ANT 10 SUP SX CF TN
52	P0717040170	CERN COF/ANT 10 SUP DX CF TN
53	G0060021280	GP 10 CERNIERE COF/ANT DX/SX
54	C0106006016	VITE TE FI PG 6* 16 5739
55	C5200017007	TAPPO PVC 17*23H07 PARAURTI 10
56	E0723005309	FASCETTA L140*3,6 5309



004-02.tif

RIF.	CODICE-CODE	DESCRIZIONE
57	P0121037370	SPES CERN PORTELLO 10 AL H40
58	90000960261	KITACC:43-5 BANDE GOMMA PARAUR
59	F0114000012	PASSACAPO D10/6H20 927
60	A2060080230	COFANO ANT 10 VTR VM
61	A1060080230	COFANO ANT 10 VTR VP
62	P0729041670	SUPP ASTA/BASCU ANT 10/COF VN
63	P0129036960	SUPP SCONTR COFANO 10/18 NX
64	C5001048100	RIVETTO A FIORE
65	A1060081760	COFANO ANT 10 VP
66	P0122042490	SCONTR PARAURTI ANT 10 REGIST
67	P0060042530	INSONOR 10 SCONTR PARAURT ANT
68	Z0107020000	TUBO_PVC D20 SCARICO H2O 10
69	A0060081760	COFANO ANT 10 GR
70	P0129036370	SUPP FARO ANT 10 1S SX ALLU
71	P0129036350	SUPP FARO ANT 10 1S DX ALLU
72	P0014043500	ADESIVO DROP TONDO CAS PAR/AN
73	F2102000039	FARO FENDINEBBIA 10 Me C/LAMP
74	P0129043520	SUPP FARO/FENDI 10Me ZN
75	P0029043620	SUPP FARO FENDINEBBIA 10Me ABS
76	E0205120027	LAMPADA 1L/ABP 12/27 FENDI
77	C0106006010	VITE TE FI PG ZN 6* 10 5739
78	C0826006000	ROND DENTATA 6 8842
79	P2060043270	PARAURTI 10 Me ANT NUDO ML/MG

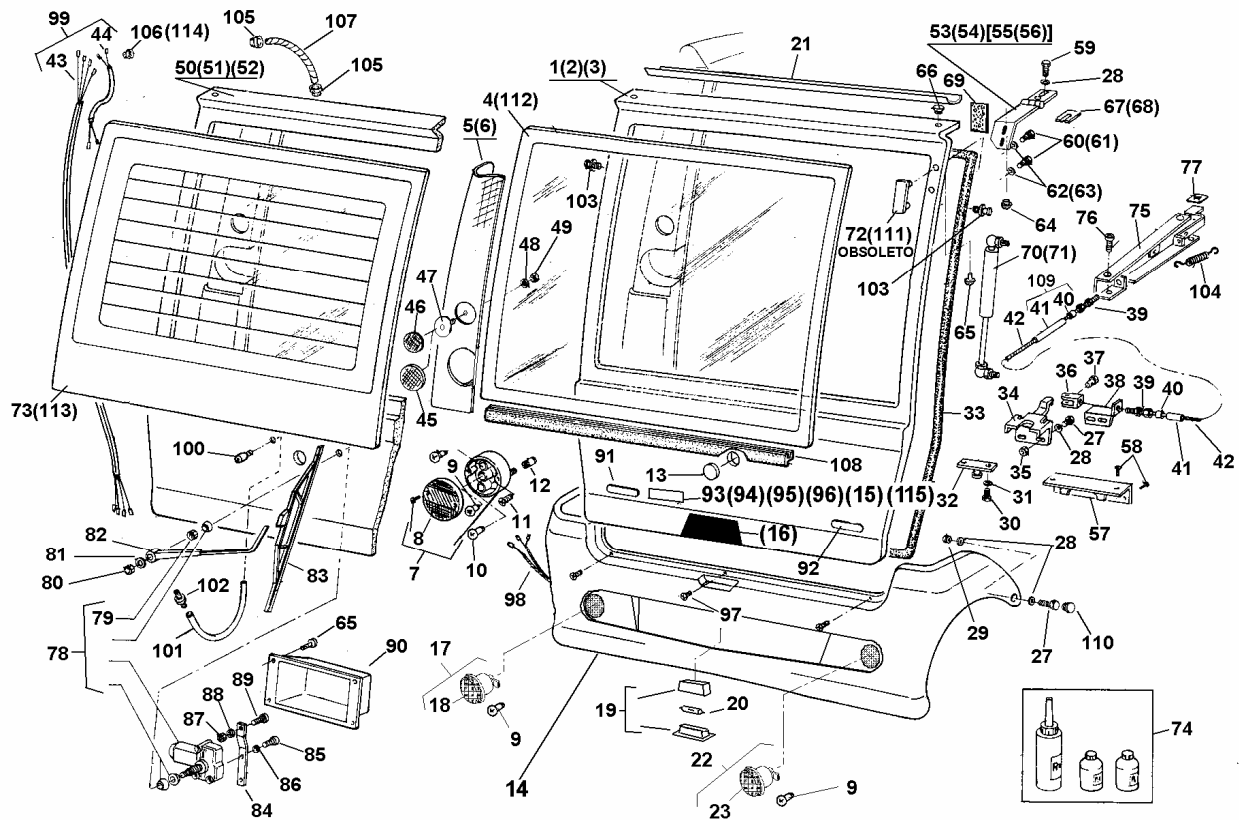
RIF.	CODICE-CODE	DESCRIZIONE
------	-------------	-------------



005.tif

RIF.	CODICE-CODE	DESCRIZIONE
1	A0040080181	PORTELLO 10 ABS GR
2	A1040080181	PORTELLO 10 ABS VP
3	A2040080181	PORTELLO 10 ABS VM
4	P0019032580	VETRO PORTELLO 10 S/RES BIANC
5	F2173000111	TRASP 10 MONT/POST/SX META VR
6	F2173000110	TRASP 10 MONT/POST/DX META VR
7	F2102000022	FARO POST 3L 10
8	F2173000112	TRASPARENTE FARO POST 3L 10
9	E0205012021	LAMPADA 1L/ABP 12/21 POST/LAMP
10	E0203012005	LAMPADA 1L/ABP 12/ 5 POST
11	C0210004020	VITE TSP FI PG ZN 4* 20 7688
12	C5010004005	RIVETTO FILET TC M4*10,5
13	P0014041130	ADESIVO DROP TONDO CAS VOL 2S
14	P2060043290	PARAURTI 10 Me POS NUDO
15	P0014042300	ADESIVO 10Me. ME PRES
16	P0014041850	ADESIVO 10 PORTELLO EST/ANTIGR
17	F2102000037	FARO RETRONEBBIA 10 Me S/LAMP
18	F2173000119	TRASPARENTE FARO R/NEBBIA 10Me
19	F2102000035	FARO POST LUCE TARGA 10 INC
20	E0201012005	LAMPADA SILURO 12/ 3-5
21	Z0201560142	GUARNIZ 10 PORTA ROMPIGOCCI 1S
22	F2102000036	FARO RETROMARCIA 10 Me S/LAMP
23	F2173000120	TRASPARENTE FARO R/MARCIA 10Me
24	C0106005020	VITE TE FI PG ZN 5* 20 5739
25	C0800053100	ROND 5 ZN 5,3*11*1,5 COMM
26	C0310005000	DADO EN PG ZN M 5/H 4 5588
27	C0106006030	VITE TE FI PG ZN 6* 30 5739
28	C0805066180	ROND BL 6 ZN 6,6*18*2 6593

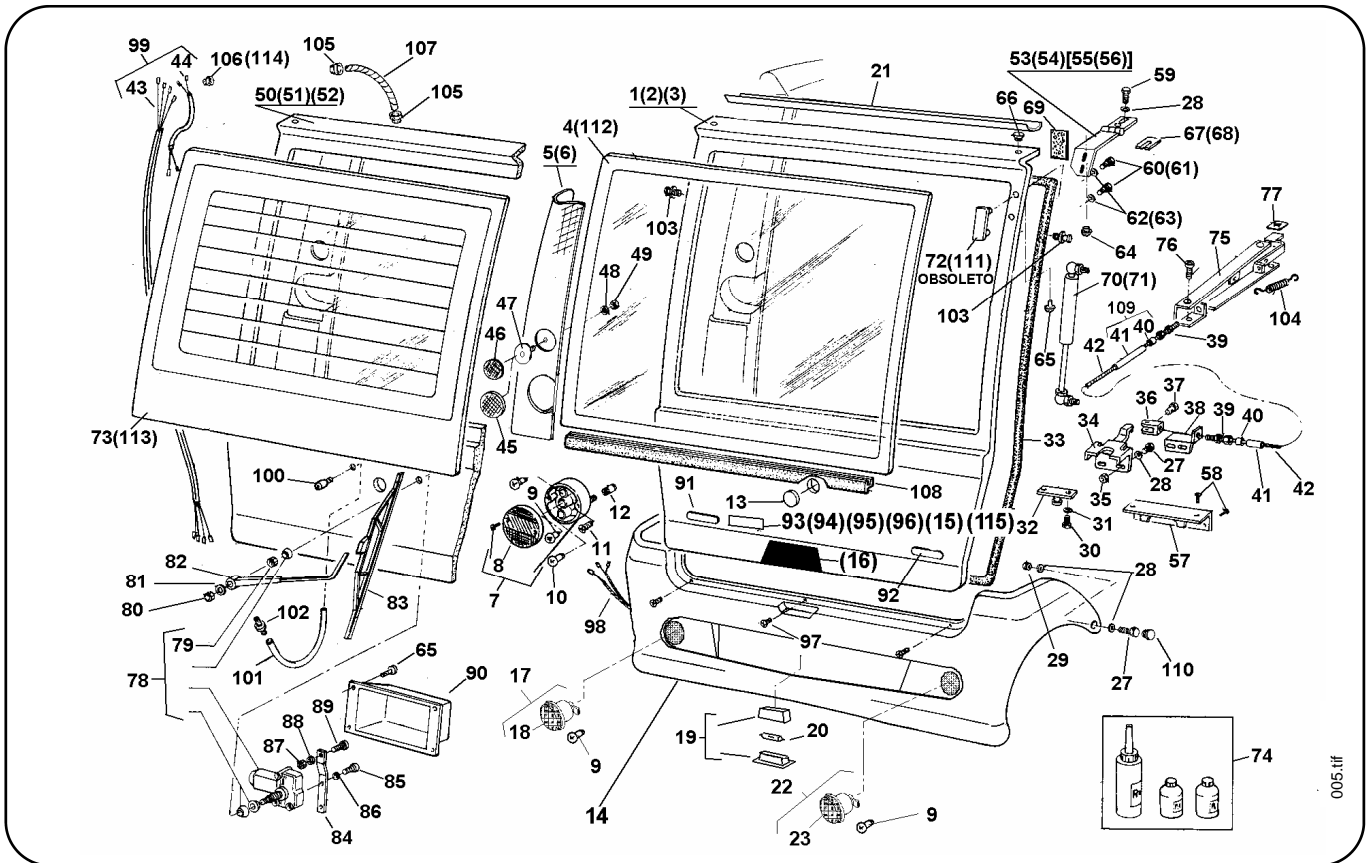
RIF.	CODICE-CODE	DESCRIZIONE
29	C0370006000	DADO ABN PG ZN M 6/H 8 7473
30	C0106008016	VITE TE FI PG ZN 8* 16 5739
31	C0800084170	ROND 8 ZN 8,4*17*1,6 6592
32	A0160080760	SCONTRO PORTEL 10 ZN
33	Z0201560136	GUARNIZ 10 VANO PORTELLO
34	P0041036830	SERRATURA 10 PORTELLO CPL
35	P0110006770	DIST D20*6H 5 COL/STER ZN
36	P0123010540	FORCELLA PEDALI ZN
37	F2156000108	MORSETTO D 6/D2 /M4 TESTA
38	P0129037010	FERMACAVO APRIPORTELLO 10 ZN
39	F2157000001	REGISTRO M6*30/40 D9 CH10 GRAN
40	C5201045000	CAPOGUAINA STAMPATO D45
41	Z0104045000	GUAINA_D45
42	P0038041860	FILO 12*1900/B40*40 PORTEL 10
43	P0060040030	CABLAGGIO TEL 10M ADD R/TERGI
44	P0060040040	CABLAGGIO TEL 10M ADD SBRI/POS
45	F2102000018	CATADIOT POST ROSSO D60 10/29
46	F2102000034	CATADIOT POST ROSSO D55 10/29
47	P0129042260	SUPP CATADIOTRO D45 M5x16 AI
48	C0805055150	ROND BL 5 ZN 5,5*15*1,6 6593
49	C0370005000	DADO ABN PG ZN M 5/H 6,3 7473
50	A0040081510	PORTELLO 10GLX GR
51	A1040081510	PORTELLO 10GLX VP I/GRIGIO
52	A2040081510	PORTELLO 10GLX VM
53	G0727020570	CERN PORTELLO 10 CPL SX VN 1S
54	G0727020580	CERN PORTELLO 10 CPL DX VN 1S
55	G0727022340	CERN PORTELLO 10 CPL SX VN 2S
56	G0727022330	CERN PORTELLO 10 CPL DX VN 2S



005.tif

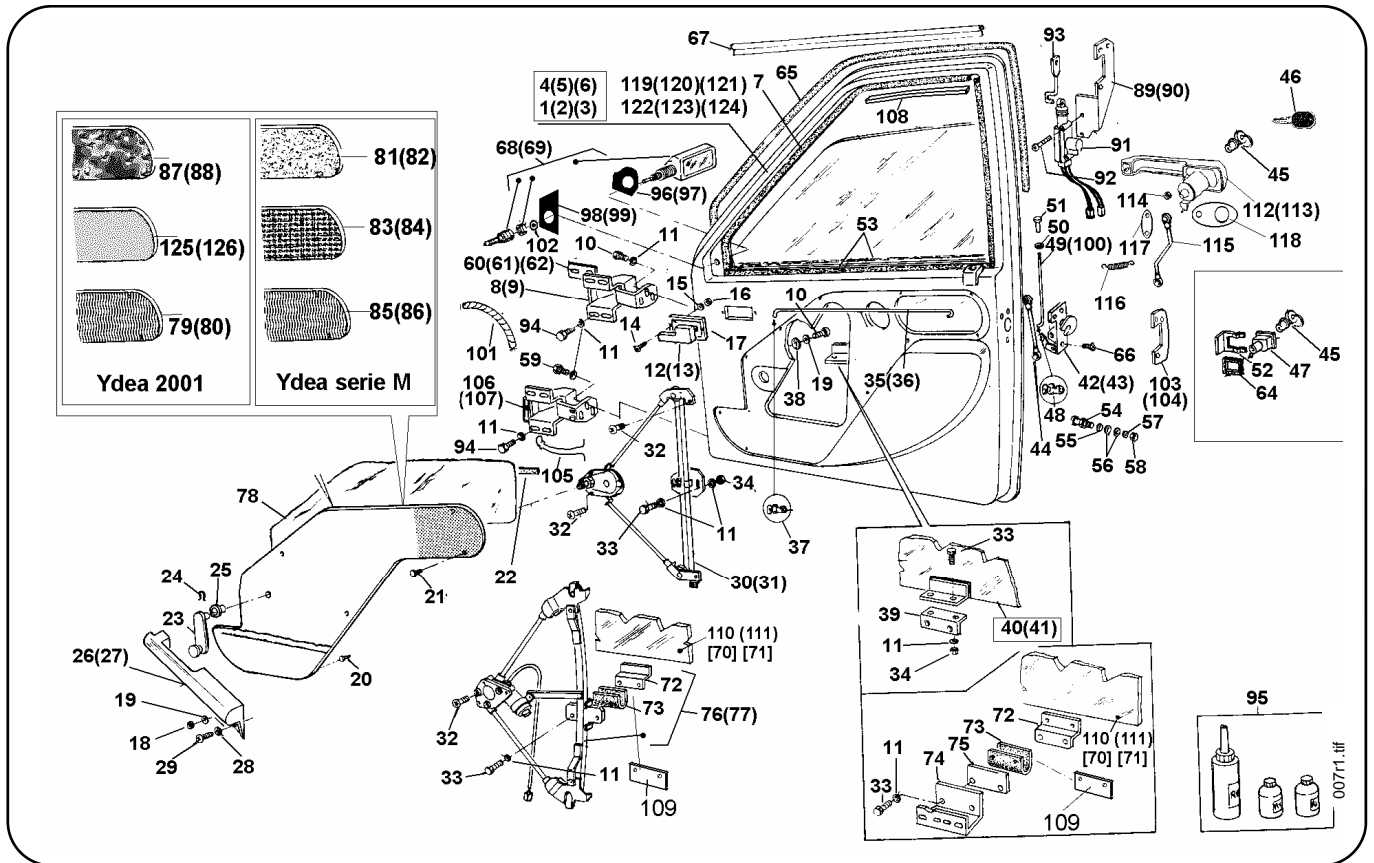
RIF.	CODICE-CODE	DESCRIZIONE
57	P0130037020	CARTER PROT SERR PORTELL 10 ZZ
58	C0550039130	VITE AF TCBIC NI 3,9*13 6954
59	C0230006025	VITE TBEI FI PG 6* 25 7380
60	C0230004012	VITE TBEI FI PG 4* 12 7380
61	C0230005012	VITE TBEI FI PG 5* 12 7380
62	C0810004001	ROND BL 4 ZN 4,3*12*1 SPEC
63	C0805055150	ROND BL 5 ZN 5,5*15*1,6 6593
64	F0114000013	TAPPO PVC GOMMA D15H2 NERO4901
65	C5200005020	TAPPO PVC 5*12H20 PANN/PORTA
66	C5200008008	_TAPPO PVC 8*14H 8 PORTEL/10
67	P0121037370	SPES CERN PORTELLO 10 AL H40
68	P0121037380	SPES CERN PORTELLO 10 AL H20
69	Z0213100010	ADESIVO ANTISDRUCC NERO H25
70	F2162000103	MOLLA GAS 130/180N 10 PORTEL
71	F2162000104	MOLLA GAS 200N 10 PORT/GLX
72	P0121038040	PIASTRA CERN/PORTEL 10 2S ZN
73	P0019032570	VETRO PORTELLO 10 C/RES BIANC
74	G0060000013	SET SIGILLATURA VETRI 60/10 K
75	G0129021160	SUPP SEDILE 10/INCL SX C/LE VN
76	C0120006025	VITE TCEI PG ZN 6* 20/25 5931
77	P0014038900	ADESIVO 10 APRIPORTELLO INTERN
78	F0141000027	MOTORTERGI 10 POST 1B/1V
79	C0321016000	DADO EB PF ZN M16*1,5H 8 5589
80	C0310008000	DADO EN PG ZN M 8/H 6,5 5588
81	C0800064125	ROND 6 ZN 6,4*12,5*1,6 6592
82	F0141000028	BRACCIO TERGI 10 POST
83	F0141000029	SPAZZOLA TERGI L410 10P C/GANC
84	P0129039400	SUPP MOTORTERGI 10 GLX POST ZN

RIF.	CODICE-CODE	DESCRIZIONE
85	C0230006016	VITE TBEI FI PG 6* 16 7380
86	C0826006000	ROND DENTATA 6 8842
87	C0370006000	DADO ABN PG ZN M 6/H 8 7473
88	C0800064125	ROND 6 ZN 6,4*12,5*1,6 6592
89	C0230006020	VITE TBEI FI PG 6* 20 7380
90	P0030039410	CARTER PORTELLO 10 TERGI POST
91	P0014041150	ADESIVO DROP YDEA! ITA 2S
92	P0014041140	ADESIVO DROP CAS dal 1939
93	P0014041210	ADESIVO 10Me..MX PRES
94	P0014041200	ADESIVO 10Me .MG PRES
95	P0014041190	ADESIVO 10/500 L PRES TN
96	P0014041220	ADESIVO 18/505 GLX PRES TN
97	C0553029130	VITE AF TCBIC NI 2,9*13 6954
98	P0060036910	CABLAGGIO TEL 10 STD PAR/POS
99	P0060040250	CABLAGGIO TEL 10L ADD SBR/TERG
100	F0141000030	SPRUZZATORE TERGI POST
101	Z0106004000	TUBO_TRASP D 4* 6 TERGI
102	F0141000031	RACC TUBO TERGI 2V
103	F0114000020	TAPPO PVC FUNE SOSP/CAP 10
104	P0001003650	MOLLA TR/D 8* 37*0,8 PORTA/NEW
105	F0100000110	GUARNIZIONE P/FRENI EST/RACCOR
106	F0114000002	PASSACAVO D12/8H7 4947
107	E0721113000	GUAINA_CAVO ELETTR D13 SPIRALE
108	P0040039590	GUARN 10 VETRO POST/INF
109	P4138040390	GUAINA CPL 45*1450 APRIPORT10
110	C5200017007	TAPPO PVC 17*23H07 PARAURTI 10
111	P0721038041	PIASTRA CERN/PORTEL 10 3S CF
112	P0019041980	VETRO PORTELLO 10 S/RES VERDE



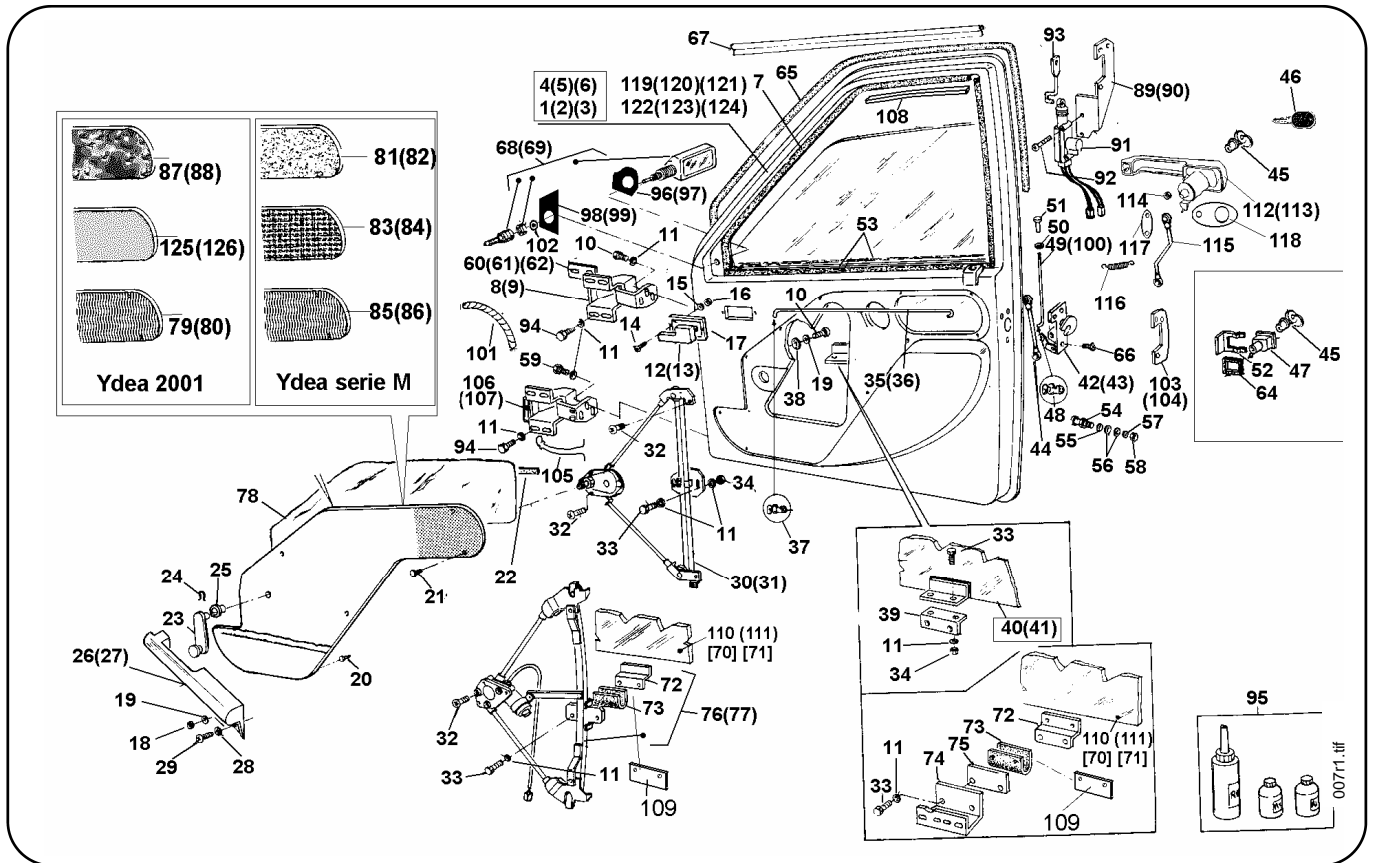
RIF.	CODICE-CODE	DESCRIZIONE
113	P0019041970	VETRO PORTELLO 10 C/RES VERDE
114	F0114000006	PASSACAPO D11/9H15 BLOCVET 929
115	P0014041191	ADESIVO 10Me ML PRES P

RIF.	CODICE-CODE	DESCRIZIONE
74		LUBRIFICANTI



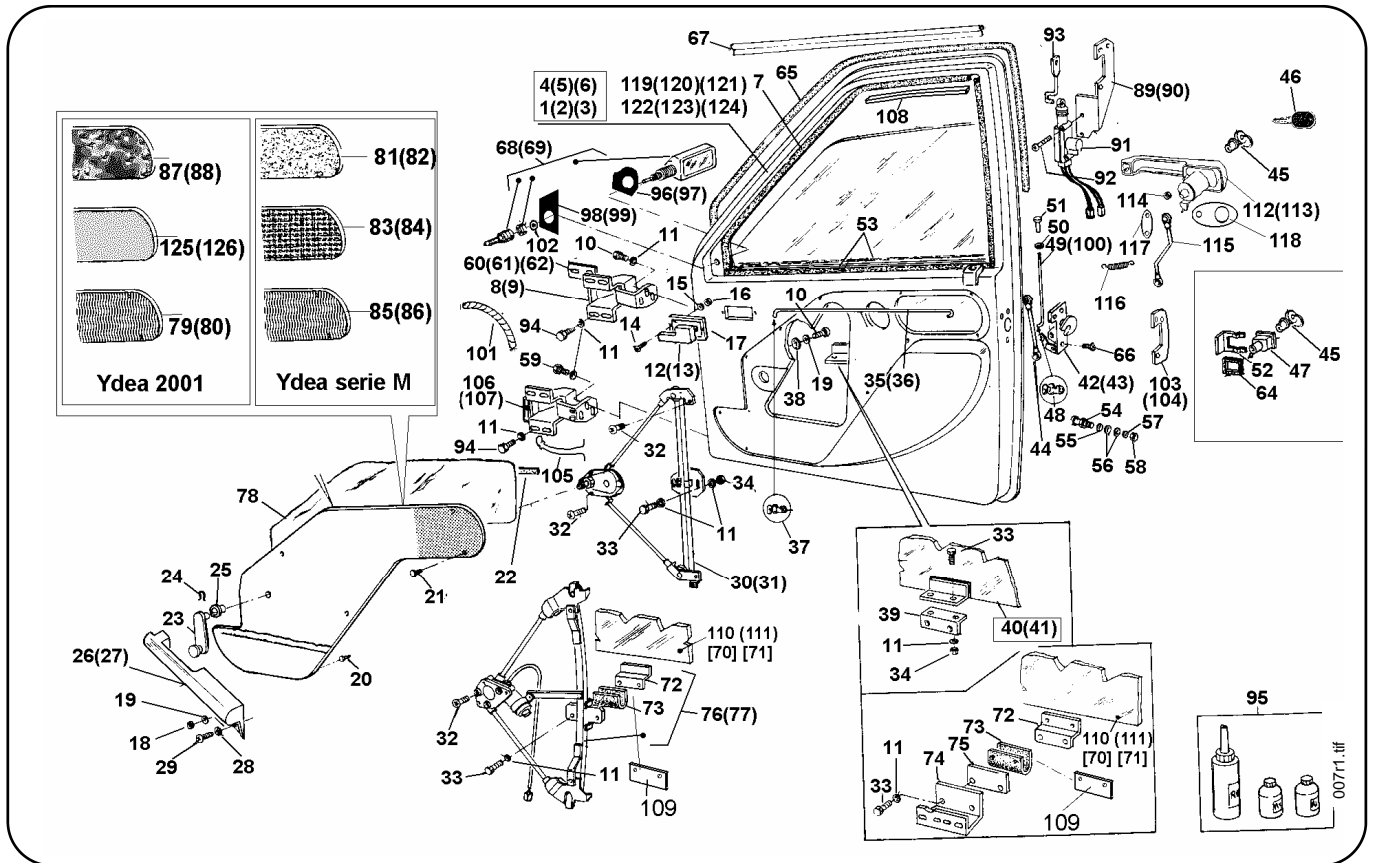
RIF.	CODICE-CODE	DESCRIZIONE
1	A0040080160	PORTIERA 10.DX TV GR
2	A1040080160	PORTIERA 10.DX TV VP I/GRIGIO
3	A2040080160	PORTIERA 10.DX TV VM
4	A0040080150	PORTIERA 10.SX TV GR
5	A1040080150	PORTIERA 10.SX TV VP I/GRIGIO
6	A2040080150	PORTIERA 10.SX TV VM
7	Z0209931000	GUARNIZ 10/SRL VET/PORTA VELL
8	A0717080790	CERN PORTA 10 CPL DX VN P/INT
9	A0717080780	CERN PORTA 10 CPL SX VN P/INT
10	C0106006025	VITE TE FI PG 6* 25 5739
11	C0805066180	ROND BL 6 ZN 6,6*18*2 6593
12	F2111000015	LEVA APRIPORTA 10 INT DX
13	F2111000016	LEVA APRIPORTA 10 INT SX
14	C0210003020	VITE TSPIC FI PG ZN 3* 20 7688
15	C0802032070	ROND 3 ZN 3,2* 7*0,4 6592
16	C0370003000	DADO ABN PG ZN M 3/H 4 7473
17	F2111000017	CORNICE LEVA INT APRIPORTA 10
18	C0314006000	DADO EN PG NX M 6/H 5 5588
19	C0810006002	ROND BL 6 ZN 6,6*24*2 SPEC
20	C5200009020	TAPPO PVC 9*18H20 PAN/INT 10
21	C5200005020	TAPPO PVC 5*12H20 PANN/PORTA
22	U9021000580	NASTRO BIADIESIVO PANNELLO/PORT
23	F2112000005	LEVA ALZAVETRO
24	F2178000101	MOLLETTA LEVA ALZAVETRO
25	F2179000100	GHIERA LEVA ALZAVETRO
26	F2111000007	MANIGLIA 10 INT TIRAPORTA DX
27	F2111000008	MANIGLIA 10 INT TIRAPORTA SX
28	C0800064125	ROND 6 ZN 6,4*12,5*1,6 6592

RIF.	CODICE-CODE	DESCRIZIONE
29	C0230006025	VITE TBEI FI PG 6* 25 7380
30	F0646000110	ALZACRISTALLO MANUALE 10 DX
31	F0646000111	ALZACRISTALLO MANUALE 10 SX
32	C0220006012	VITE TBLIC FI PG 6* 12 KFR
33	C0106006016	VITE TE FI PG 6* 16 5739
34	C0370006000	DADO ABN PG ZN M 6/H 8 7473
35	P0125037310	TIRANTE APRIPORTA 10 INT DX NX
36	P0125035590	TIRANTE APRIPORTA 10 INT SX NX
37	F2178000102	MOLLETTA PVC TIR/APRIPORTA SRL
38	P0121032270	_FERMAFARO POST SRL/HELLA ZN
39	P0121035510	SUPP VETRO PORTA 10/ALZACR ZN
40	A0019081060	VETRO PORTA 10 BIANCO CPL DX
41	A0019081070	VETRO PORTA 10 BIANCO CPL SX
42	F2111000009	SERRATURA 10 PORTA DX
43	F2111000010	SERRATURA 10 PORTA SX
44	G0025020590	TIRANTE APRIPORTA 10 EST NORM
45	F0489000102	SET BLOCCHETTI SERRATURE 10
46	E0728000131	CHIAVE AVVIAM/APERT 10
47	F2143000002	PULSANTE 10 APRIP/EST D/S S/BL
48	F2178000100	MOLLETTA PVC TIR/SICURA SRL
49	P0125035600	TIRANTE APRIPORTA 10 SICURA SX
50	F0538000100	GHIERA POMOLO SICURA
51	F0538000101	POMOLO SICURA
52	P0121035800	FORCELLA SUPP PULS/PORTA T4 ZN
53	P0040040130	GUARN 10 RASAVETRO EST/INT TN
54	F2111000011	SCONTRO PORTA 10
55	C0800130240	ROND 12 ZN 13*24*2,5 6592
56	P0112038950	RONDELLA ACC 12*45*3 T4 ZN



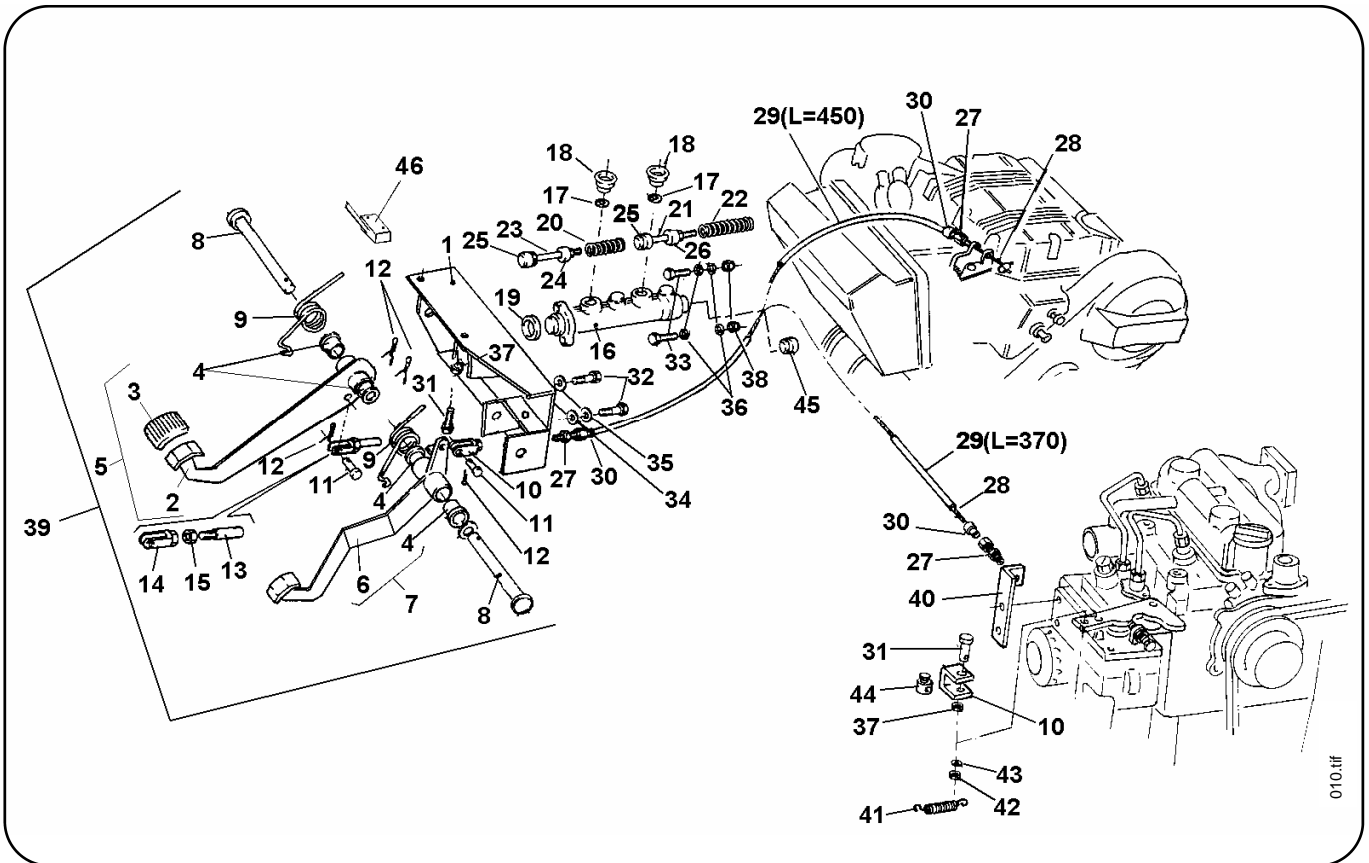
RIF.	CODICE-CODE	DESCRIZIONE
57	C0826012000	ROND DENTATA 12 8842
58	C0323012000	DADO EB PF ZN M12*1,25H7 5589
59	P0041037790	VITE TE 6*25NX RIBAS PORTA10
60	P0021035830	SPES CERN PORTA 10 AL H2
61	P0021035840	SPES CERN PORTA 10 AL H4
62	P0021040110	SPES CERN PORTA 10 AL H1
63	P0060037550	SCONTRO ADESIVO GOMMA 12*12*6
64	P0014038870	ADESIVO 10 NERO PULS/PORTA
65	Z0201560141	GUARNIZ 10 VANO PORTA
66	C0573006016	VITE TBLICombi ZN 6*16
67	P0121038000	RINF PORTA/RASAV 10 CF
68	F2114000014	RETROVISORE EST 10 DX
69	F2114000015	RETROVISORE EST 10 SX
70	P0019032550	VETRO PORTA 10 DX NUDO BIANCO
71	P0019032540	VETRO PORTA 10 SX NUDO BIANCO
72	P0121040090	SUPP VETRO PORTA 10/VETR TN ZN
73	F0114000023	GOMMINO PREMIVETRO 10 ALZACR
74	P0129039730	SUPP VETRO PORTA 10/ALZA TN ZN
75	P0121039740	SPES ALZACRISTALLO 10 AL
76	F2182000114	ALZACRISTALLO ELET 10 DX
77	F2182000113	ALZACRISTALLO ELET 10 SX
78	P0060036870	PANNELLO PORTA 10/PROT ACQUA
79	P0060039440	PANNELLO PORTA 10/SL SX 1S
80	P0060039430	PANNELLO PORTA 10/SL DX 1S
81	P0060039481	PANNELLO PORTA 10Me MX SX 2S
82	P0060039471	PANNELLO PORTA 10Me MX DX 2S
83	P0060039461	PANNELLO PORTA 10Me MG/E SX 2S
84	P0060039451	PANNELLO PORTA 10Me MG/E DX 2S

RIF.	CODICE-CODE	DESCRIZIONE
85	P0060039441	PANNELLO PORTA 10Me ML SX 2S
86	P0060039431	PANNELLO PORTA 10Me ML DX 2S
87	P0060039470	PANNELLO PORTA 10/GLX DX
88	P0060039480	PANNELLO PORTA 10/GLX SX
89	P0129039700	SUPP ATTUAT CHIUS/CENTR DX CF
90	P0129039690	SUPP ATTUAT CHIUS/CENTR SX CF
91	F0644000101	ATTUATORE CHIUSURA CENTR 5FILI
92	C0552042250	VITE AF TCBIC NI 4,2*25/6 6954
93	P0125040270	TIRANTE CHIUS CENTR 10
94	C0106006035	VITE TE PG ZN 6* 35 5739
95	G0060000013	SET SIGILLATURA VETRI 60/10 K
96	P0014042020	ADESIVO 10 RETROV/DX EST NERO
97	P0014042030	ADESIVO 10 RETROV/SX EST NERO
98	P0014042220	ADESIVO 10 RETROV/DX INT NERO
99	P0014042210	ADESIVO 10 RETROV/SX INT NERO
100	P0125035601	TIRANTE APRIORTA 10 SICURA DX
101	E0721113000	GUAINA_CAVO ELETTR D13 SPIRALE
102	P0121040420	SPES RETROV EST 10 H/var ZN
103	P0121042360	PIASTRA SERRATURA PORTA 10 SX
104	P0121042370	PIASTRA SERRATURA PORTA 10 DX
105	P0101042310	MOLLA TO/BLOCCO PORTA 10 ZN
106	A0717080781	CERN PORTA 10 CPL SX VN P/MOL
107	A0717080791	CERN PORTA 10 CPL DX VN P/MOL
108	Z0207010005	GUARNIZ SPUGNA ADES 100*50
109	P0029042540	SUPP VETRO PORTA 10/SPES 1 AL
110	P0019041960	VETRO PORTA 10 DX NUDO VERDE
111	P0019041950	VETRO PORTA 10 SX NUDO VERDE
112	F2112000006	MANIGLIA SRL PORTA EST DX



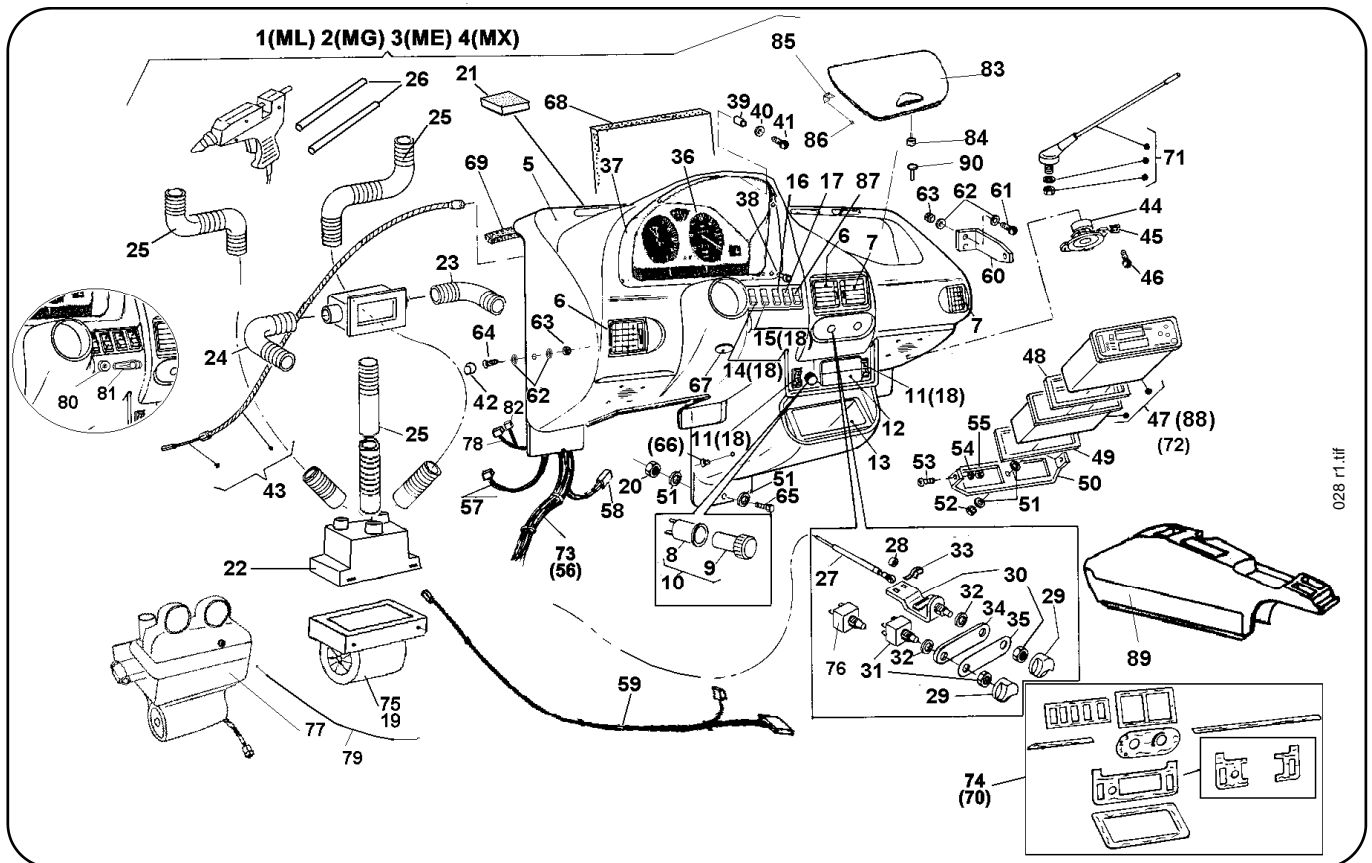
RIF.	CODICE-CODE	DESCRIZIONE
113	F2112000007	MANIGLIA SRL PORTA EST SX
114	C0310005000	DADO EN PG ZN M 5/H 4 5588
115	G0125020590	TIRANTE APRIPORTA 10 EST SAGOM
116	P0001003650	MOLLA TR/D 8* 37*0,8 PORTA/NEW
117	P0021042770	PIASTRA MOLLA MANIGLIA 10
118	F2112000012	SET GUARNIZ MANIGLIA PORTA 10
119	A0040081900	PORTIERA 10 DX TN GR
120	A1040081900	PORTIERA 10 DX TN VP
121	A2040081900	PORTIERA 10 DX TN VM
122	A0040081890	PORTIERA 10 SX TN GR
123	A1040081890	PORTIERA 10 SX TN VP
124	A2040081890	PORTIERA 10 SX TN VM
125	P0060039460	PANNELLO PORTA 10/GL SX 1S
126	P0060039450	PANNELLO PORTA 10/GL DX 1S

RIF.	CODICE-CODE	DESCRIZIONE
------	-------------	-------------



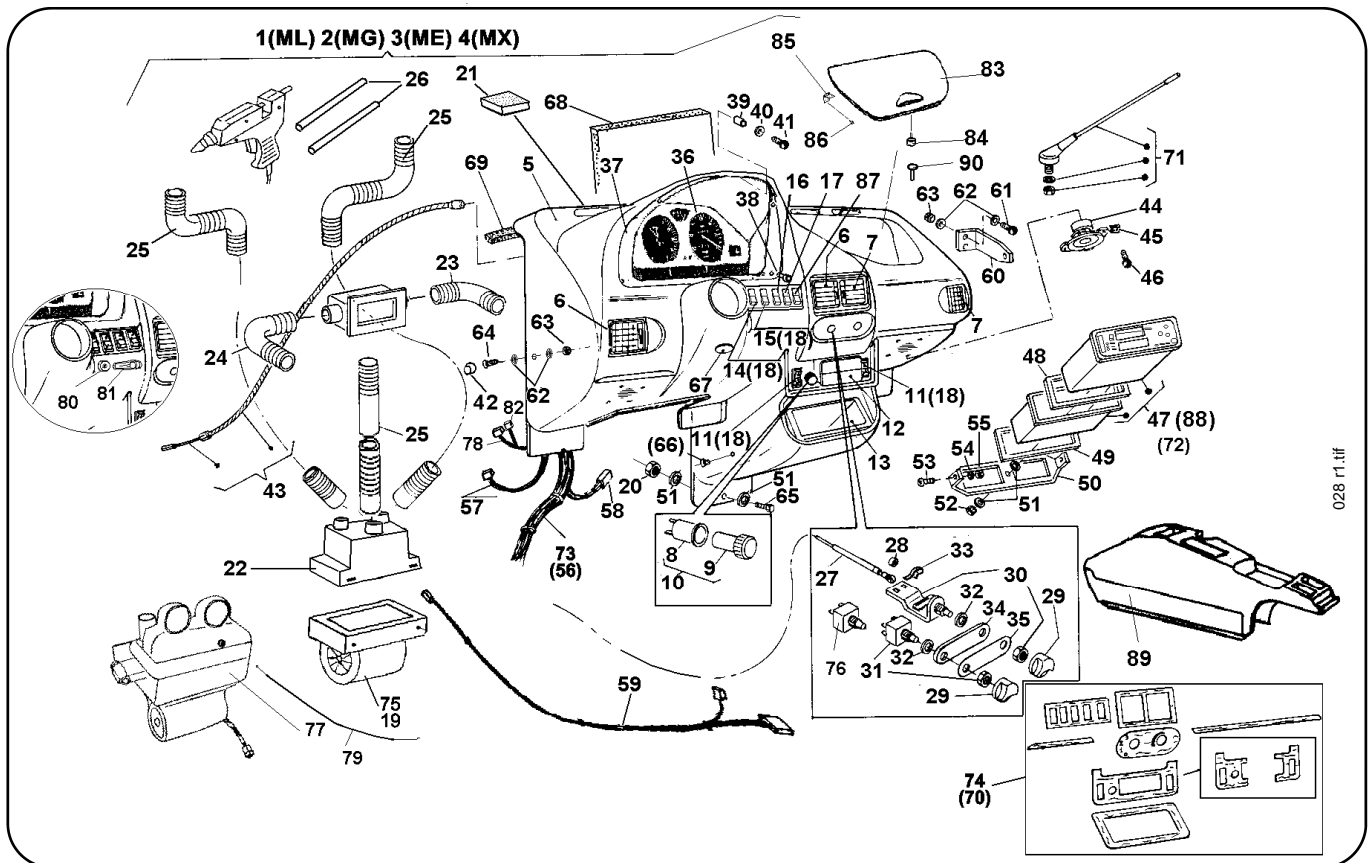
RIF.	CODICE-CODE	DESCRIZIONE
1	P0760033452	SCATOLA PEDALI 10 CPL VN 3SMe
2	A0733081990	PEDALE FRENO 10/STD CF 2SMe
3	F0114000019	COPRIPEDALE FRENO 10
4	P0013002370	BOCCOLA D12*18H30/26 PEDALI
5	G3233020711	GP 10 PEDALE FRENO 2SMe
6	A0733082000	PEDALE ACCELER 10/STD CF 2SMe
7	G3233020681	GP 10 PEDALE ACCELERAT 2SMe
8	P0102042190	PERNO 12/16H70 PEDALIERA 10
9	P0001006130	MOLLA TO/PEDALI UNIFICATA
10	P0123010540	FORCELLA PEDALI ZN
11	P0102001050	PERNO 6/10H16,5 C/FORO D15 ZN
12	C0900025360	COPIGLIA 2,5*36 1336
13	P0104010530	PUNTALINO PED/POMP FRENI M8*55
14	P0123001080	FORCELLA ES/M8*15H35 PUNTAL ZN
15	C0310008000	DADO EN PG ZN M 8/H 6,5 5588
16	F0100000113	POMPA FRENI/CORPO 2V 80
17	F0100000118	PISTONE P/FRENI 2V FERMO
18	F0100000110	GUARNIZIONE P/FRENI EST/RACCOR
19	F0100000106	GUARNIZIONE P/FRENI EST P/POLV
20	F0100000116	MOLLA POMPA FRENI 2V ANT/H75
21	F0100000114	PISTONE P/FRENI 2V ANT/H75
22	F0100000117	MOLLA POMPA FRENI 2V POST/H43
23	F0100000115	PISTONE P/FRENI 2V POST/H90
24	F0100000102	GUARNIZIONE P/FRENI INT TOROID
25	F0100000112	GUARNIZIONE P/FRENI 2V RASCOIL
26	F2131000001	POMPA FRENI 2V 10/60/80 S/F
27	F2157000001	REGISTRO M6*30/40 D9 CH10 GRAN
28	P0038037570	FILO 19* 500/B55*70 GAS/10

RIF.	CODICE-CODE	DESCRIZIONE
29	Z0104060000	GUAINA_D60
30	C5201060000	CAPOGUAINA STAMPATO D60
31	C0106006035	VITE TE PG ZN 6* 35 5739
32	C0106006016	VITE TE FI PG 6* 16 5739
33	C0106008030	VITE TE FI PG ZN 8* 30 5739
34	C0805066180	ROND BL 6 ZN 6,6*18*2 6593
35	C0816006000	ROND GROWER GR/ZN 6
36	C0800084170	ROND 8 ZN 8,4*17*1,6 6592
37	C0310006000	DADO EN PG ZN M 6/H 5 5588
38	C0370008000	DADO ABN PG ZN M 8/H 9,5 7473
39	G3207020670	GP 10 PEDALIERA 4R/2P_1S
40	P0129036380	FERMACAVO ACCELERAT 10M ZN
41	P0101021991	MOLLA TO/BLOCCO PORTA 60 TN ZN
42	C0370006000	DADO ABN PG ZN M 6/H 8 7473
43	C0800064125	ROND 6 ZN 6,4*12,5*1,6 6592
44	F2156000108	MORSETTO D 6/D2 /M4 TESTA
45	F0089000001	INTERRUT STOP/POMPA PF 10/STD
46	F2158000108	INTERRUT RETRO INDEMAR 10/65



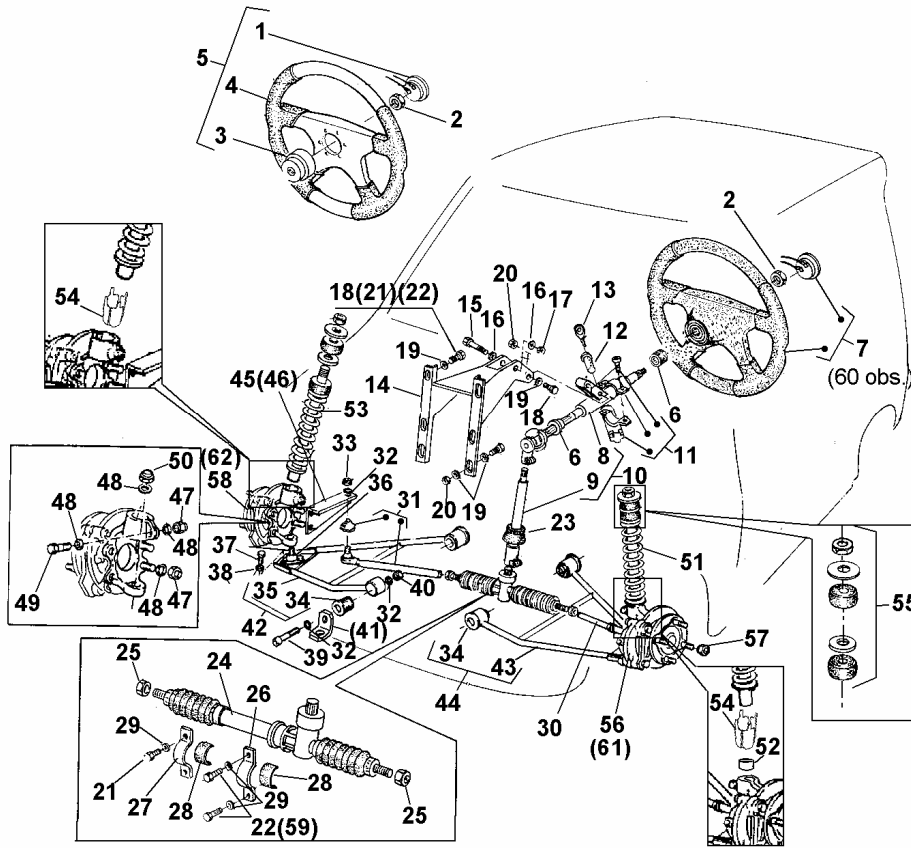
RIF.	CODICE-CODE	DESCRIZIONE
1	G0010022520	CRUSCOTTO CAB SL Me SR/STD
2	G0010022510	CRUSCOTTO CAB .GL Me SR/STD
3	G0010022500	CRUSCOTTO CAB .GLEMe SR/STD
4	G0010022490	CRUSCOTTO CAB .GLXMe CR/STD
5	P0060040501	CRUSCOTTO ABS 10 Me/3S
6	F0475000102	BOCCHETTA ARIA 10/SRL SX
7	F0475000101	BOCCHETTA ARIA 10/SRL DX
8	F2168000100	PRESA CORR/ACCENDISIG C/MOLLA
9	F2168000101	ACCENDISIGARI NUDO
10	F2168000102	ACCENDISIGARI CPL
11	E0602000104	INTERRUT ALZACRIS/GRANDE 561V
12	F2121000001	POSACENERE
13	F2113000004	PORTAOGGETTI ABS CRUS 10/65 TN
14	E0604000110	INTERRUT TERGI POST 10
15	E0604000109	INTERRUT SBRINAV C/SPIA 10
16	E0603000104	INTERRUT FARO R/NEB C/SPIA 10
17	E0604000104	INTERRUT EMERG/TRIANG 10/65
18	E0605000105	TAPPO PVC CRUSC/INTER 10/65
19	F2105000022	VENTOLA RISC 10 C/RADIAT 2S
20	C0370005000	DADO ABN PG ZN M 5/H 6,3 7473
21	Z0306001001	INSONOR_TERMOIS ADES H6 K52
22	P0130040520	CARTER RISC CONV/ARIA 10/KAL
23	Z0101050000	TUBO_AREAZ D50 10/SULKY
24	Z0101050000	TUBO_AREAZ D50 10/SULKY
25	Z0101050000	TUBO_AREAZ D50 10/SULKY
26	U3111000102	COLLA BASTONCINO
27	P0038041240	CAVO CPL RISCALDAMENTO 10 TN
28	C0923005000	STARLOCK D 5

RIF.	CODICE-CODE	DESCRIZIONE
29	F2105000013	POMOLO RISC 10 D31 AURO
30	F2105000011	LEVA COMANDO RISC 10 D31/CAVO
31	F2105000025	INTERRUT RISC 10 3V/KAL
32	C0800130240	ROND 12 ZN 13*24*2,5 6592
33	F2105000014	MOLLA AUR CAVO/RISC 10 COMAN
34	P0029038960	SUPP COMANDI RISC 10/AURORA ZN
35	P0014039150	ADESIVO DROP 10 COMANDO RISC
36	F0499000109	CRUSCOT JAEGER C/STRUM 10 TN
37	P0029040510	CORNICE ABS CRUSC/JAEGER 10 T2
38	C5200005020	TAPPO PVC 5*12H20 PANN/PORTA
39	C5010004005	RIVETTO FILET TC M4*10,5
40	C0835174260	ROND SVASATA NY 4 17426/C-6594
41	C0156004020	VITE TCID FI PG NY 4* 20 DIN85
42	P0020037180	TRASM/CORDA CKM 60 VEG/FIA TL
43	P0020032110	TRASM/CPL CKM 60 VEG/FIA TL
44	F2184000008	ALTOPARLANTI 10 CPL COPPIA
45	C0376039020	DADO ELASTICO 39*20
46	C0553045250	VITE AF TCBIC 4,5*25
47	F2184000011	AUTORADIO 10 TAPE C/FRONT 3S
48	F2184000007	CORNICE ABS AUTORADIO 10/65
49	P0121037910	FERMARADIO 10 AL
50	P0129037900	SUPP AUTORADIO 10 AL
51	C0805055150	ROND BL 5 ZN 5,5*15*1,6 6593
52	C0310005000	DADO EN PG ZN M 5/H 4 5588
53	C0220006012	VITE TBLIC FI PG 6* 12 KFR
54	C0816006000	ROND GROWER GR/ZN 6
55	C0310006000	DADO EN PG ZN M 6/H 5 5588
56	P0060041680	CABLAGGIO CRUSC 10 CT_2S M/L



RIF.	CODICE-CODE	DESCRIZIONE
57	P0060036211	CABLAGGIO CRUSC 10_IMEL MIT AD
58	E0717000105	DIODO ANTIDIST 10 CRUSC/VENT
59	P0060041730	CABLAGGIO TEL 10M/L CT CENT 2S
60	P0121033710	SUPP CRUSC 10 ZN
61	C0106006035	VITE TE PG ZN 6* 35 5739
62	C0805066180	ROND BL 6 ZN 6,6*18*2 6593
63	C0370006000	DADO ABN PG ZN M 6/H 8 7473
64	C0106006016	VITE TE FI PG 6* 16 5739
65	C0106005025	VITE TE FI PG ZN 5* 25 5739
66	C5200109231	TAPPO PVC 8*15H19
67	C5200000001	TAPPO CRUSCOTTO/DEVIO 10 PVC
68	P0060038700	INSONOR 10 CRUSC/INT 333*250
69	Z0207025005	GUARNIZ SPUGNA ADES 200*50
70	G0060021251	SET RADICA CRUSC 10 GLX 8PZ TN
71	F2184000003	ANTENNA TETTO 10/65
72	C5200017007	TAPPO PVC 17*23H07 PARAURTI 10
73	P0060042650	CABLAGGIO CRUSC 10 CT_3S M/L
74	G0060021250	SET RADICA CRUSC 10 GLX 7PZ TV
75	F2105000027	VENTOLA RISC 10 C/RADIAT 3S
76	F2105000215	INTERRUT CLIMA/VENTOLA 3V
77	G0016022450	GR CLIMA/RISCALDATORE 10
78	F2105000212	CABLAGGIO CLIMA CRUSC CONTROL
79	P0038042800	CAVO CPL RISCALDAMENTO 10 CLIM
80	F2105000214	INTERRUT CLIMA C/CORNICE
81	F2105000219	LEVA COMANDO RICIRC CLIMA CPL
82	F2105000213	CABLAGGIO CLIMA CRUSC ILLUMIN
83	A0060081770	SPORTELLO VANO CRUSCOTTO 10
84	F2120000006	MAGNETE 3KG SPORTELLO CRUSC 10

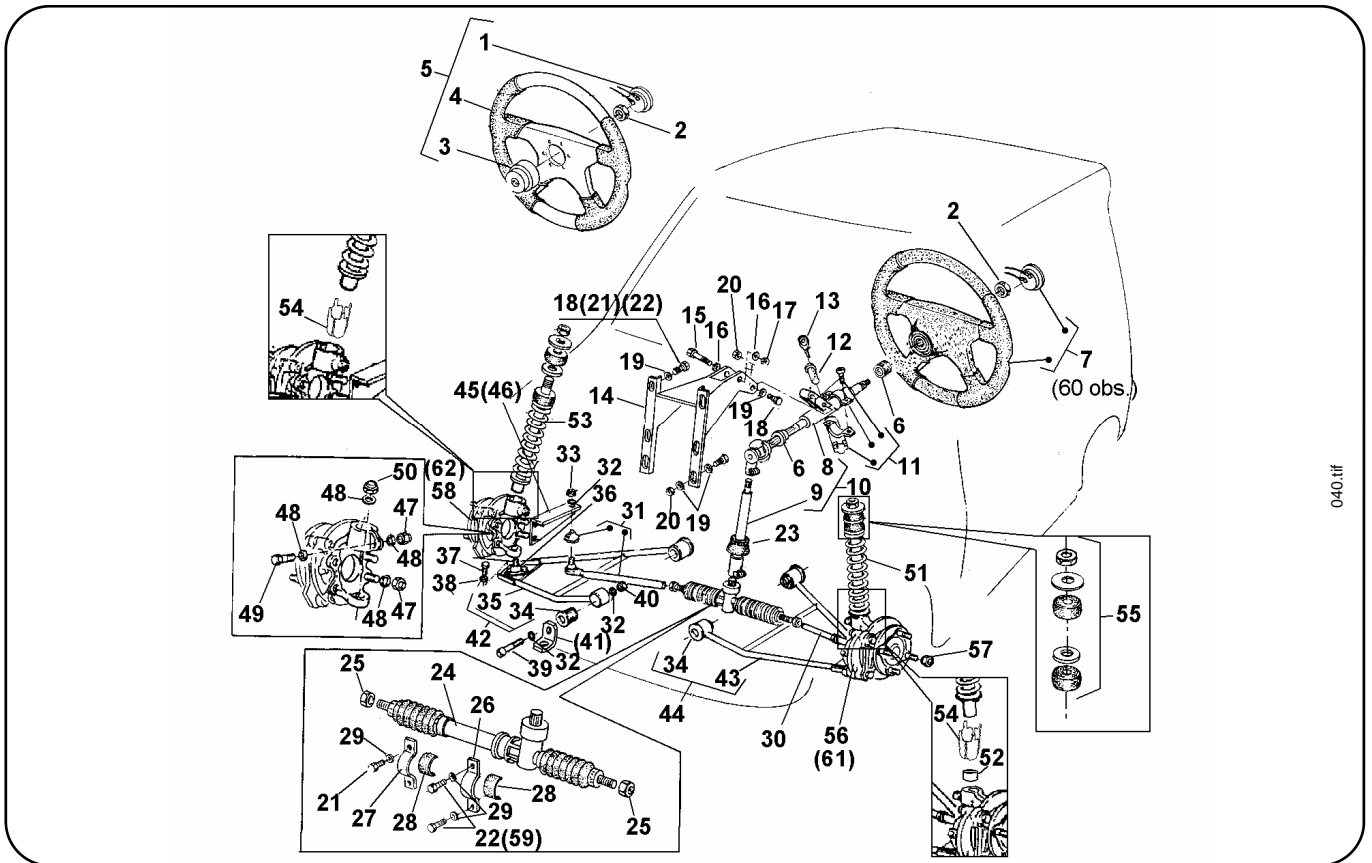
RIF.	CODICE-CODE	DESCRIZIONE
85	F2120000005	CERNIERA SPORTELLO CRUSC 10
86	C0552029095	VITE AF TCBIC NI 2,9* 9,5 6954
87	E0603000106	INTERRUT FARO FENDI S/SPIA 10
88	F2184000014	AUTORADIO 10 CD C/FRONT 1S
89	P0030043190	CARTER PAVIM 10 ABS
90	C0563022095	VITE AF TSPIC NX 2,2* 9,5 6955



040.tif

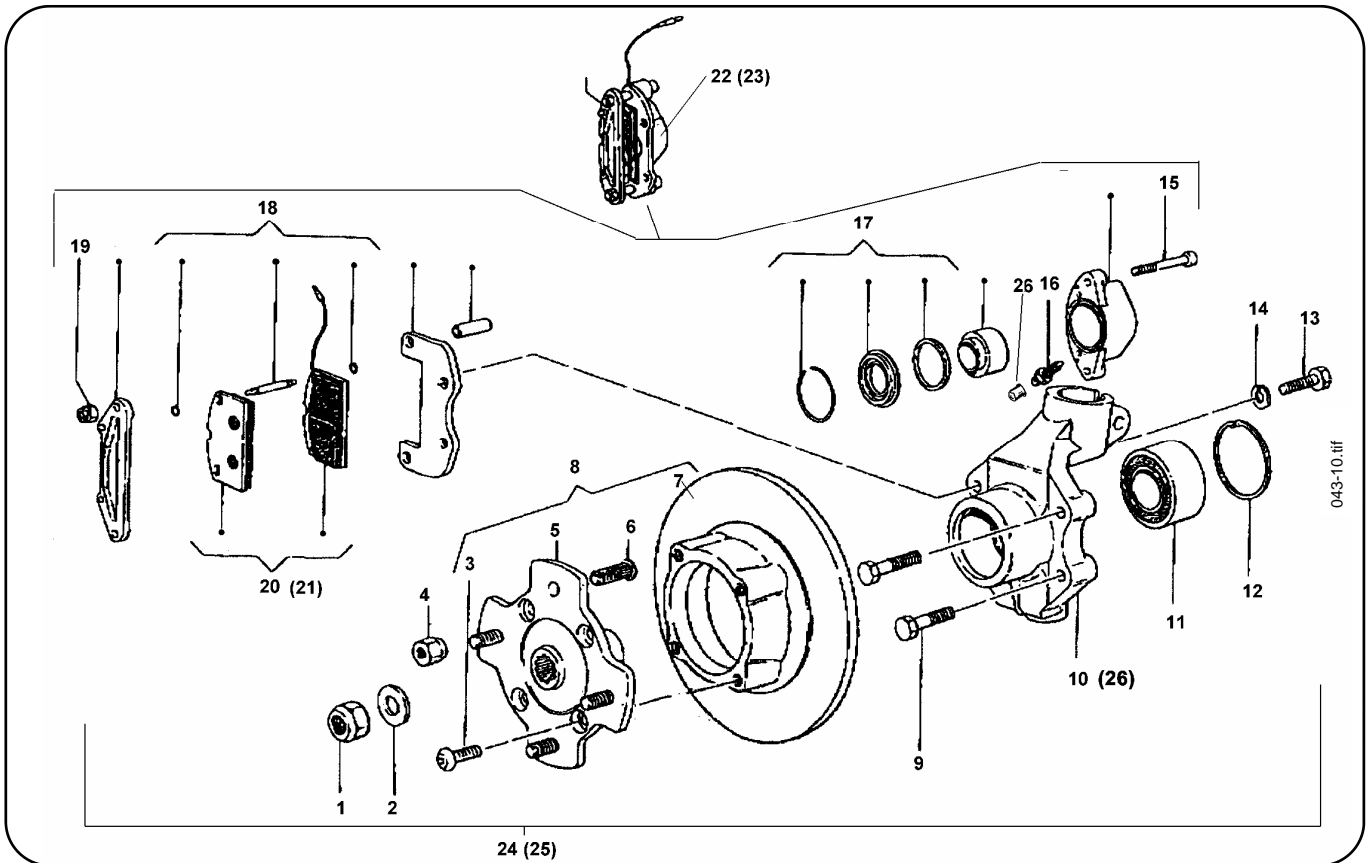
RIF.	CODICE-CODE	DESCRIZIONE
1	F214300001	PULSANTE CLAXON 12V
2	C0320014000	DADO EB PG ZN M14/H 8 VOL 5589
3	F2142000005	MOZZO VOLAN 10/SRL SELM 40D 2S
4	F2141000010	VOLANTE_DEA/INS PELLE S/MOZZO
5	F2141000014	VOLANTE DEA/INS PELLE 360/40
6	C5061000005	CUSCIN/RULLI DG751 19*36*19
7	F2141000016	VOLANTE DEA/CAS NERO 360/40 4S
8	G0005021660	GR SUPP VOL/PIANT SUP 10
9	A0734081640	PIANTONE VOL 10/INF CPL CF 2S
10	G0005021650	GR SUPP VOL/PIANT SUP/INF 10
11	F0489000100	BLOCCASTERZO SRL
12	F0489000102	SET BLOCCHETTI SERRATURE 10
13	E0728000131	CHIAVE AVVIAM/APERT 10
14	P0129033670	SUPP PIANT/VOL 10/SCOCCA ZN
15	C0100008060	VITE TE FM PG ZN 8* 60 5737
16	C0800084170	ROND 8 ZN 8,4*17*1,6 6592
17	C0370008000	DADO ABN PG ZN M 8/H 9,5 7473
18	C0106006020	VITE TE FI PG ZN 6* 20 5739
19	C0805066180	ROND BL 6 ZN 6,6*18*2 6593
20	C0370006000	DADO ABN PG ZN M 6/H 8 7473
21	C0106006025	VITE TE FI PG ZN 6* 25 5739
22	C0106006030	VITE TE FI PG ZN 6* 30 5739
23	F0114000018	SOFFIET PIANTONE STERZO 10
24	F2146000014	SCATOLA GUIDA 10/T4 TN
25	P0041019800	DADO EN PF GR M14/H10 DX SPEC
26	P0129033551	SUPP SC/GUID10 GAVEL/SX ZN TN
27	P0136023270	SUPP SC/GUID10-B/TORS80 ZN
28	Z0304100000	TAPPETO_GOMMA 100 RIGHE/PARASP

RIF.	CODICE-CODE	DESCRIZIONE
29	C0800064125	ROND 6 ZN 6,4*12,5*1,6 6592
30	F2140000008	SNODO TESTA M14PFfem DXL/M10PF
31	F2140000007	SNODO TESTA M14PFfem DXC/M10PF
32	C0800130240	ROND 12 ZN 13*24*2,5 6592
33	C0374010000	DADO ABB PG ZN M10/H10 7474
34	C5105012012	ANTIVIB BUSSOLA 12/30H33 BATT
35	A0138080830	BRACCIO OSC 10 ANT DX ZN
36	F2140000003	SNODO TESTA FLANGIA/M10PF 60
37	C0106006016	VITE TE FI PG 6* 16 5739
38	C0816006000	ROND GROWER GR/ZN 6
39	C0122012080	VITE TCEI PG 12* 80 5931
40	C0370012000	DADO ABN PG ZN M12/H14 7473
41	P0760041810	GANCIO TRAINO 10 CF
42	G0004020920	GP 10 BRAC/OSC ANT C/AVIB DX
43	A0138080820	BRACCIO OSC 10 ANT SX ZN
44	G0004020930	GP 10 BRAC/OSC ANT C/AVIB SX
45	A0129080480	SUPP SNODO STER 10 CPL DX ZN
46	A0129080470	SUPP SNODO STER 10 CPL SX ZN
47	C0370010000	DADO ABN PG ZN M10/H11,5 7473
48	C0800105210	ROND 10 ZN 10,5*21*2 6592
49	C0100010050	VITE TE FM PG ZN 10* 50 5737
50	F0149001155	DADO EN PF ZN M10*1,25H8 21110
51	F2107000026	AMMORTIZ ANT 4R-10 MAC 6S SX
52	P0110041701	DIST D50*5H 09 AMM/ANT 10 2S
53	F2107000027	AMMORTIZ ANT 4R-10 MAC 6S DX
54	P0160042990	SPES AMM/ANT 10 TN H05
55	C5109000020	SET ANTIVIB AMM/McPHERSON SEBA
56	F0040000560	MOZZO COMEX F/DISCO D40 TN SX



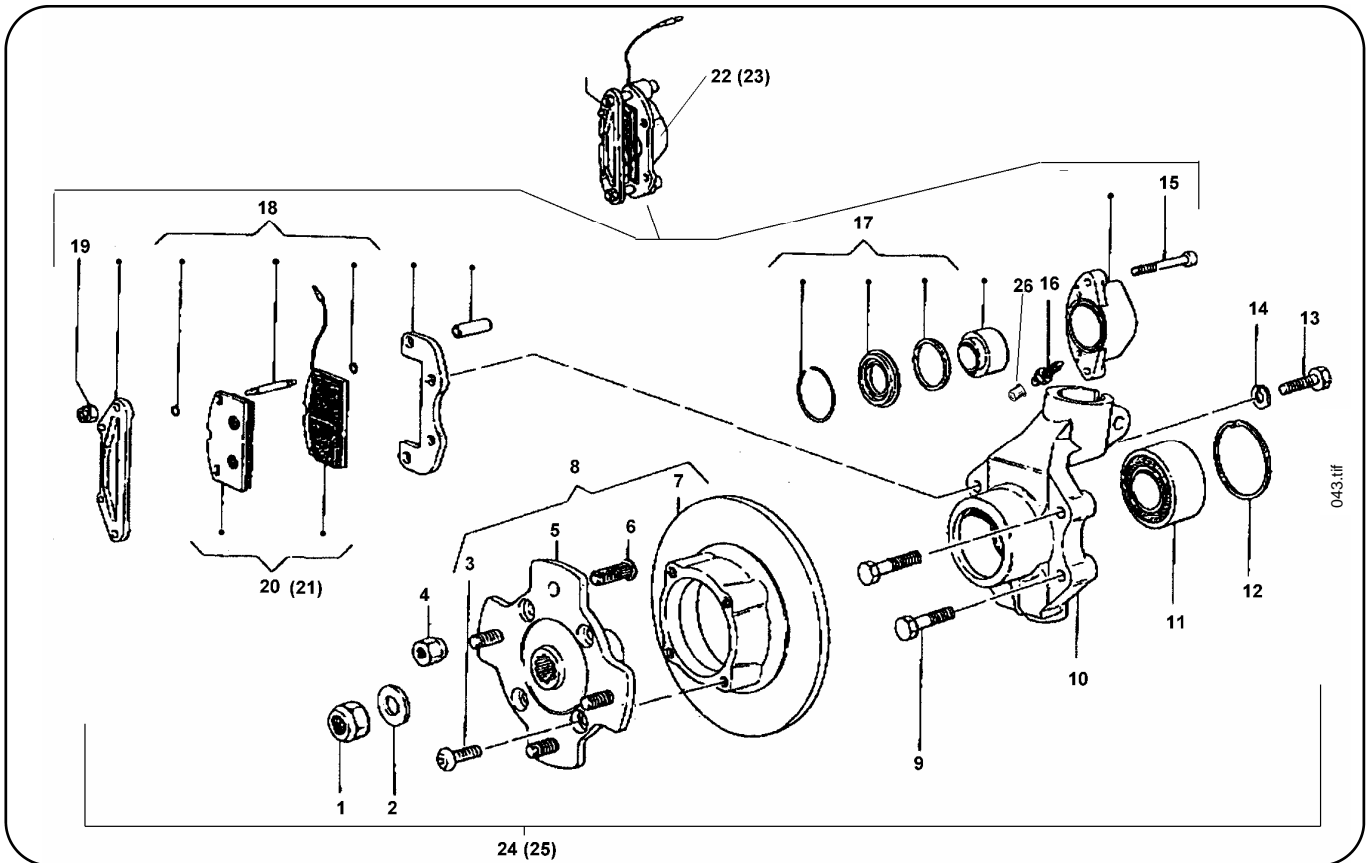
RIF.	CODICE-CODE	DESCRIZIONE
57	F0040000538	DADO_COMEX ES M10 FIS/RUOTA 6
58	F0040000561	MOZZO COMEX F/DISCO D40 TN DX
59	C0106006035	VITE TE FI PG ZN 6* 35 5739
60	F2141000015	VOLANTE DEA/CAS NERO 360/40 5S

RIF.	CODICE-CODE	DESCRIZIONE
------	-------------	-------------



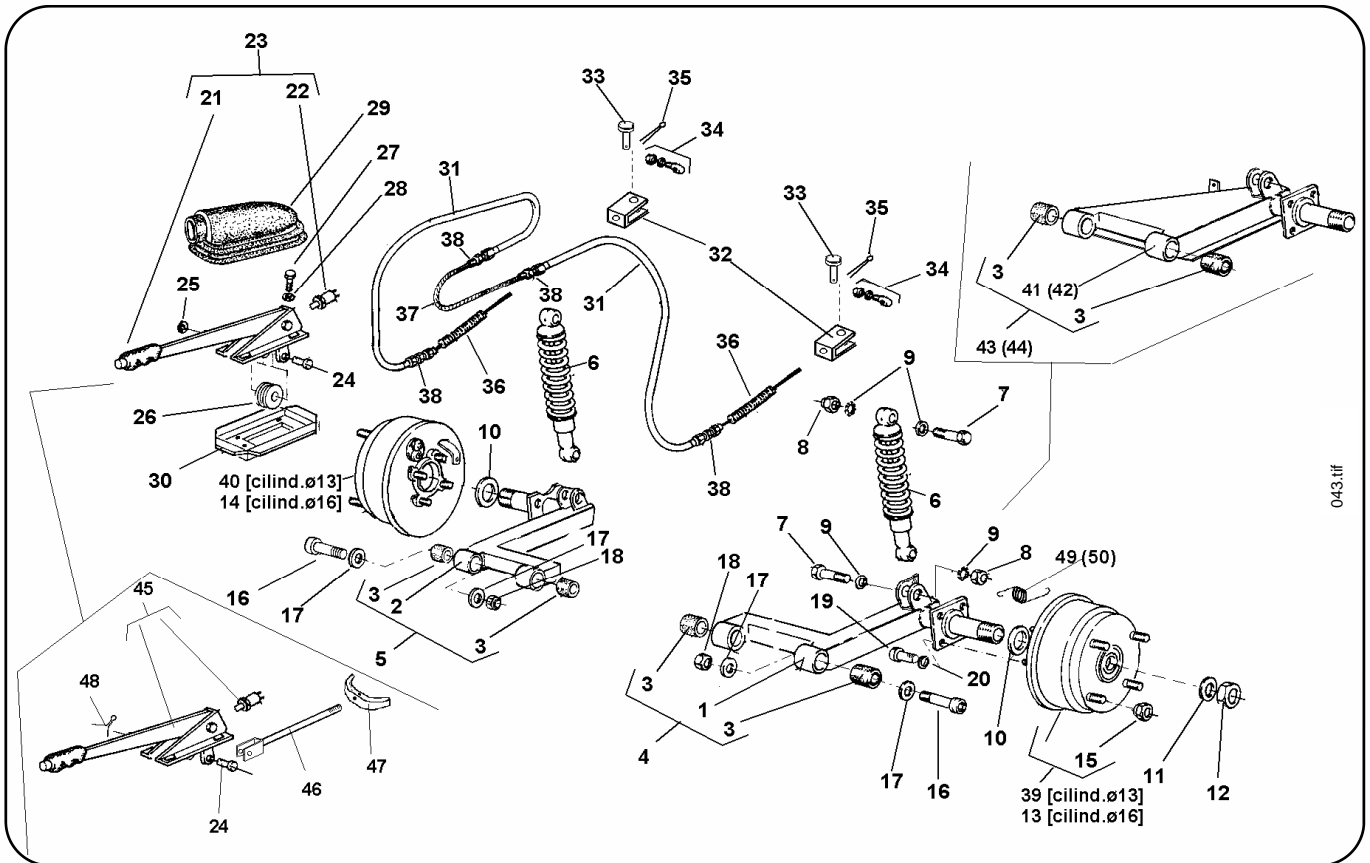
RIF.	CODICE-CODE	DESCRIZIONE
1	F0040000590	DADO_COMEX M16*1,5 F/DISC-OMOC
2	F0040000589	ROND_COMEX 16*30*4 F/DISC-OMOC
3	C0230008020	VITE TBEI FI PG 8* 20 7380
4	F0040000538	DADO_COMEX ES M10 FIS/RUOTA 6
5	F0040000628	MOZZO MEX F/DIS_FLANG/CPL
6	F0040000549	PRIG COMEX M10H30 F/DISCO-RUOT
7	F0040000660	MOZZO MEX F/DIS_DISCO/NUD i210
8	F0040000607	MOZZO MEX F/DIS_DISC+FLAN UNIV
9	C0100010045	VITE TE FM PG ZN 10* 45 5737
10	F0040000659	MOZZO MEX F/DIS_SUPP/ALLU i39
11	F0040000592	CUSCIN COMEX MOZZO ANT F/DISCO
12	C0921060000	ANELLO EL FORO TN D60 7437
13	C0106010035	VITE TE FI PG ZN 10* 35 5739
14	C0820010000	ROND GROWER GR/ZN 10
15	C0120008065	VITE TCEI PG ZN 8* 65 5931
16	F0040000580	SPURGO PINZA F/DISCO COMEX
17	F0040000588	SET GUARNIZ COMEX PINZA/FRENO
18	F0040000591	SET SPINA COMEX PAST/FRE D6H54
19	C0370008000	DADO ABN PG ZN M 8/H 9,5 7473
20	F0040000662	PASTIGLIE FRENI COPPIA SX i210
21	F0040000661	PASTIGLIE FRENI COPPIA DX i210
22	F0040000664	PINZA FRENO DISCO CPL SX i210
23	F0040000663	PINZA FRENO DISCO CPL DX i210
24	F0040000654	MOZZO MEX F/DIS i210/39 3S SX
25	F0040000655	MOZZO MEX F/DIS i210/39 3S DX
26	F0040000630	TAPPO PVC GOMMA MEX PORTEL/INT
27	F0040000608	MOZZO MEX F/DIS_SUPP/ALLU i40

RIF.	CODICE-CODE	DESCRIZIONE
------	-------------	-------------



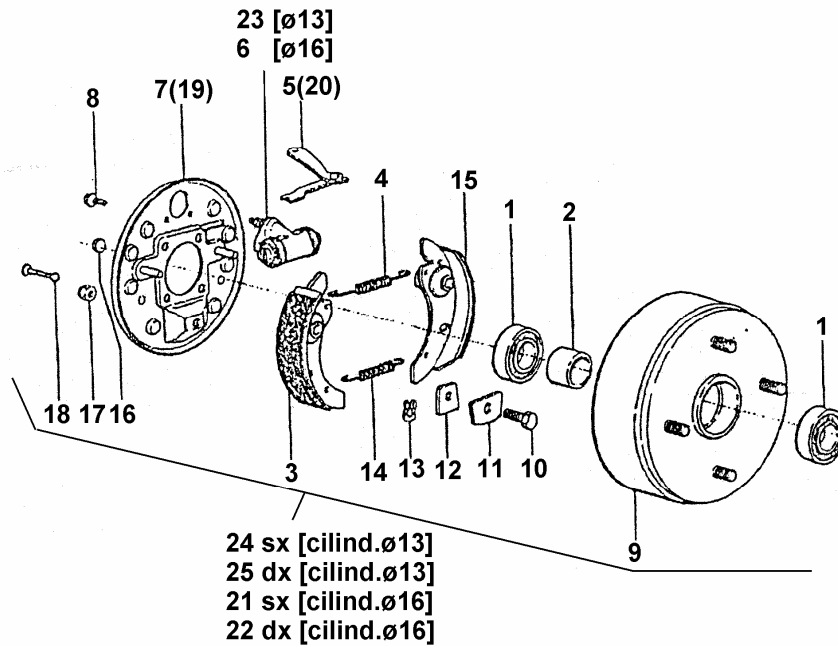
RIF.	CODICE-CODE	DESCRIZIONE
1	F0040000590	DADO_COMEX M16*1,5 F/DISC-OMOC
2	F0040000589	ROND_COMEX 16*30*4 F/DISC-OMOC
3	C0230008020	VITE TBEI FI PG 8* 20 7380
4	F0040000538	DADO_COMEX ES M10 FIS/RUOTA 6
5	F0040000628	MOZZO COMEX F/DISCO FLANG/CPL
6	F0040000549	PRIG COMEX M10H30 F/DISCO-RUOT
7	F0040000629	MOZZO COMEX F/DISCO DISCO/NUDO
8	F0040000607	MOZZO COMEX F/DISCO DISC+FLANG
9	C0100010045	VITE TE FM PG ZN 10* 45 5737
10	F0040000608	MOZZO COMEX F/DISCO SUPP/ALLU
11	F0040000592	CUSCIN COMEX MOZZO ANT F/DISCO
12	C0921060000	ANELLO EL FORO TN D60 7437
13	C0106010035	VITE TE FI PG ZN 10* 35 5739
14	C0820010000	ROND GROWER GR/ZN 10
15	C0120008065	VITE TCEI PG ZN 8* 65 5931
16	F0040000580	SPURGO PINZA F/DISCO COMEX
17	F0040000588	SET GUARNIZ COMEX PINZA/FRENO
18	F0040000591	SET SPINA COMEX PAST/FRE D6H54
19	C0370008000	DADO ABN PG ZN M 8/H 9,5 7473
20	F0040000587	PASTIGLIE FRENI COPPIA SX
21	F0040000570	PASTIGLIE FRENI COPPIA DX
22	F0040000586	PINZA FRENO DISCO CPL SX
23	F0040000579	PINZA FRENO DISCO CPL DX
24	F0040000560	MOZZO COMEX F/DISCO D40 TN SX
25	F0040000561	MOZZO COMEX F/DISCO D40 TN DX
26	F0040000630	TAPPO PVC GOMMA MEX PORTEL/INT

RIF.	CODICE-CODE	DESCRIZIONE
1	F0040000590	DADO_COMEX M16*1,5 F/DISC-OMOC
2	F0040000589	ROND_COMEX 16*30*4 F/DISC-OMOC
3	C0230008020	VITE TBEI FI PG 8* 20 7380
4	F0040000538	DADO_COMEX ES M10 FIS/RUOTA 6
5	F0040000628	MOZZO COMEX F/DISCO FLANG/CPL
6	F0040000549	PRIG COMEX M10H30 F/DISCO-RUOT
7	F0040000629	MOZZO COMEX F/DISCO DISCO/NUDO
8	F0040000607	MOZZO COMEX F/DISCO DISC+FLANG
9	C0100010045	VITE TE FM PG ZN 10* 45 5737
10	F0040000608	MOZZO COMEX F/DISCO SUPP/ALLU
11	F0040000592	CUSCIN COMEX MOZZO ANT F/DISCO
12	C0921060000	ANELLO EL FORO TN D60 7437
13	C0106010035	VITE TE FI PG ZN 10* 35 5739
14	C0820010000	ROND GROWER GR/ZN 10
15	C0120008065	VITE TCEI PG ZN 8* 65 5931
16	F0040000580	SPURGO PINZA F/DISCO COMEX
17	F0040000588	SET GUARNIZ COMEX PINZA/FRENO
18	F0040000591	SET SPINA COMEX PAST/FRE D6H54
19	C0370008000	DADO ABN PG ZN M 8/H 9,5 7473
20	F0040000587	PASTIGLIE FRENI COPPIA SX
21	F0040000570	PASTIGLIE FRENI COPPIA DX
22	F0040000586	PINZA FRENO DISCO CPL SX
23	F0040000579	PINZA FRENO DISCO CPL DX
24	F0040000560	MOZZO COMEX F/DISCO D40 TN SX
25	F0040000561	MOZZO COMEX F/DISCO D40 TN DX
26	F0040000630	TAPPO PVC GOMMA MEX PORTEL/INT



RIF.	CODICE-CODE	DESCRIZIONE
1	A0738081790	BRACCIO OSC 10 POS IN/SX 2S VN
2	A0738081780	BRACCIO OSC 10 POS IN/DX 2S VN
3	C5105012014	ANTIVIB BUSSOLA 12/28H40/44
4	G9003021810	GP 10 B/OSC POS MEX C/AVIB SX
5	G9003021820	GP 10 B/OSC POS MEX C/AVIB DX
6	F2107000025	AMMORTIZ POS 4R-10 3S
7	C0100010050	VITE TE FM PG ZN 10* 50 5737
8	C0370010000	DADO ABN PG ZN M10/H11,5 7473
9	C0800105210	ROND 10 ZN 10,5*21*2 6592
10	P0010042170	DIST D32*2H 6,5 MOZ/POS 10MEX
11	P0010033390	DIST D34*4H 2 MOZ/POS 10/65GR
12	F0014000022	DADO EB PF GR M24*1,5H8 MOZ/AN
13	F0040000505	MOZZO COMEX 10 POST SX F052
14	F0040000506	MOZZO COMEX 10 POST DX F051
15	F0040000538	DADO_COMEX ES M10 FIS/RUOTA 6
16	C0122012080	VITE TCEI PG 12* 80 5931
17	C0800130240	ROND 12 ZN 13*24*2,5 6592
18	C0370012000	DADO ABN PG ZN M12/H14 7473
19	C0120008020	VITE TCEI PG ZN 8* 20 5931
20	C0816008000	ROND GROWER GR/ZN 8
21	F2154000004	LEVA FRENO STAZ 10 L345 2S NUD
22	E0718000127	INTERRUT FRE/STAZ 10 2S
23	F2154000003	LEVA FRENO STAZ 10 L345 2S CPL
24	P0102006250	PERNO 8/10H20/2 C/FORO D20 ZN
25	C0923008000	STARLOCK D 8
26	F2155000001	PULEGGIA 8/16/24H7 FRENO/STAZ
27	C0106008020	VITE TE FI PG ZN 8* 20 5739
28	C0800084170	ROND 8 ZN 8,4*17*1,6 6592

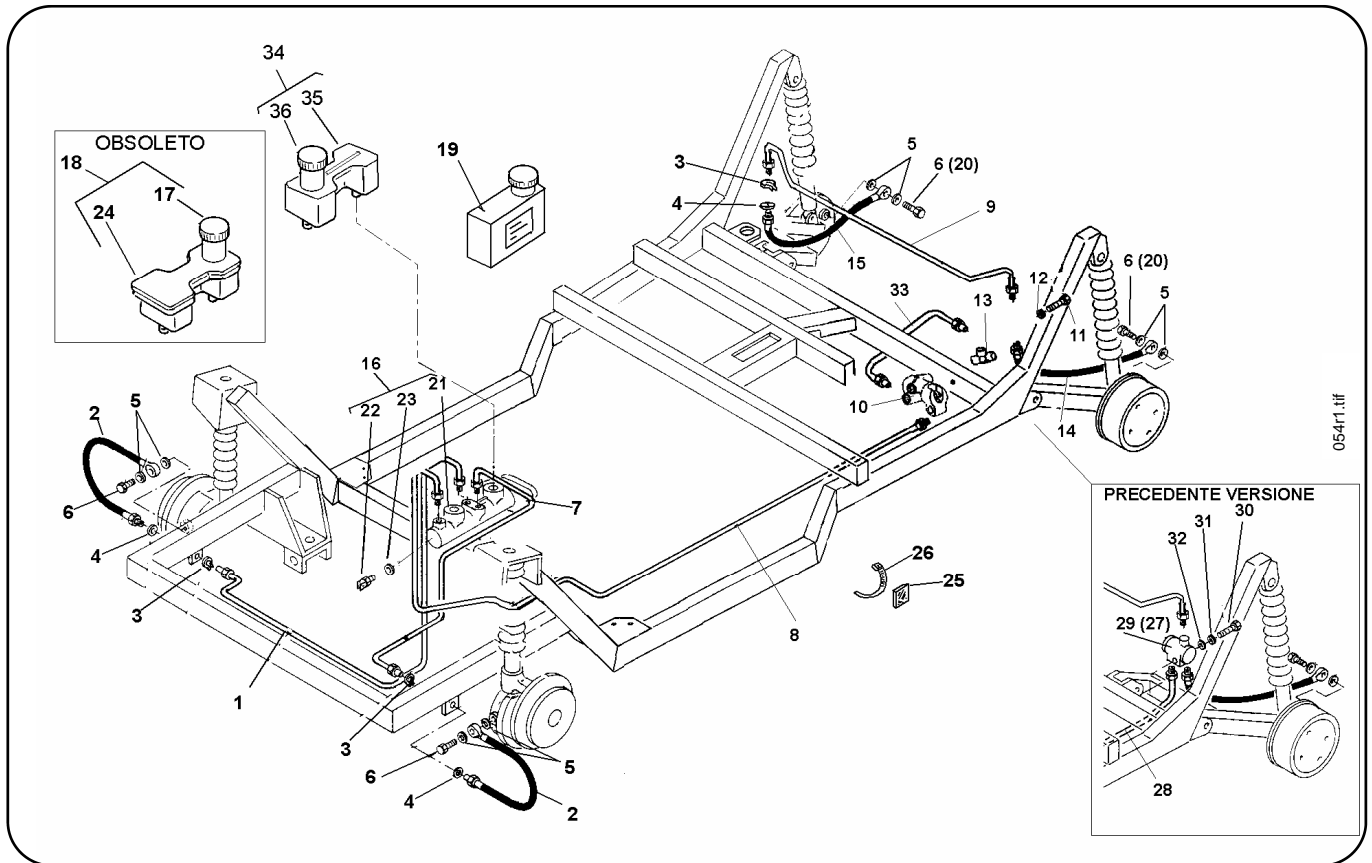
RIF.	CODICE-CODE	DESCRIZIONE
29	F0114000017	SOFFIET LEVA FRENO STAZ 10
30	P0129036640	SUPP SOFFIETO LEVA STAZ 10 AI
31	P4138040210	GUAINA CPL 60* 775 FRE/STAZ 10
32	P0123010540	FORCELLA PEDALI ZN
33	P0102001050	PERNO 6/10H16,5 C/FORO D15 ZN
34	F2156000103	MORSETTO D 8/D2,5/M5 TESTA
35	C0900020320	COPIGLIA 2*32 1336
36	P0001033600	MOLLA CO/D10* 43*12 FARO 60 M
37	P0038040200	FILO 25*2395/SB FRE/STAZ 10 TN
38	F2157000001	REGISTRO M6*30/40 D9 CH10 GRAN
39	F0040000647	MOZZO COMEX 10 POST SX 2S
40	F0040000648	MOZZO COMEX 10 POST DX 2S
41	A0738081791	BRACCIO OSC 10 POS IN/SX 3S VN
42	A0738081781	BRACCIO OSC 10 POS IN/DX 3S VN
43	G9003021811	GP 10 B/OSC POS MEX C/AV SX 3S
44	G9003021821	GP 10 B/OSC POS MEX C/AV DX 3S
45	F2154000006	LEVA FRENO STAZ 10 L345 3S CPL
46	A0060081940	TIRANTE F/STAZ 10 L200
47	P0160026031	TIRANTE F/STAZ A FORCELLA ZN
48	C0900020320	COPIGLIA 2*32 1336
49	F0040000665	MOLLA MEX TOR/F-STAZ MOZ P SX
50	F0040000666	MOLLA MEX TOR/F-STAZ MOZ P DX



047.tif

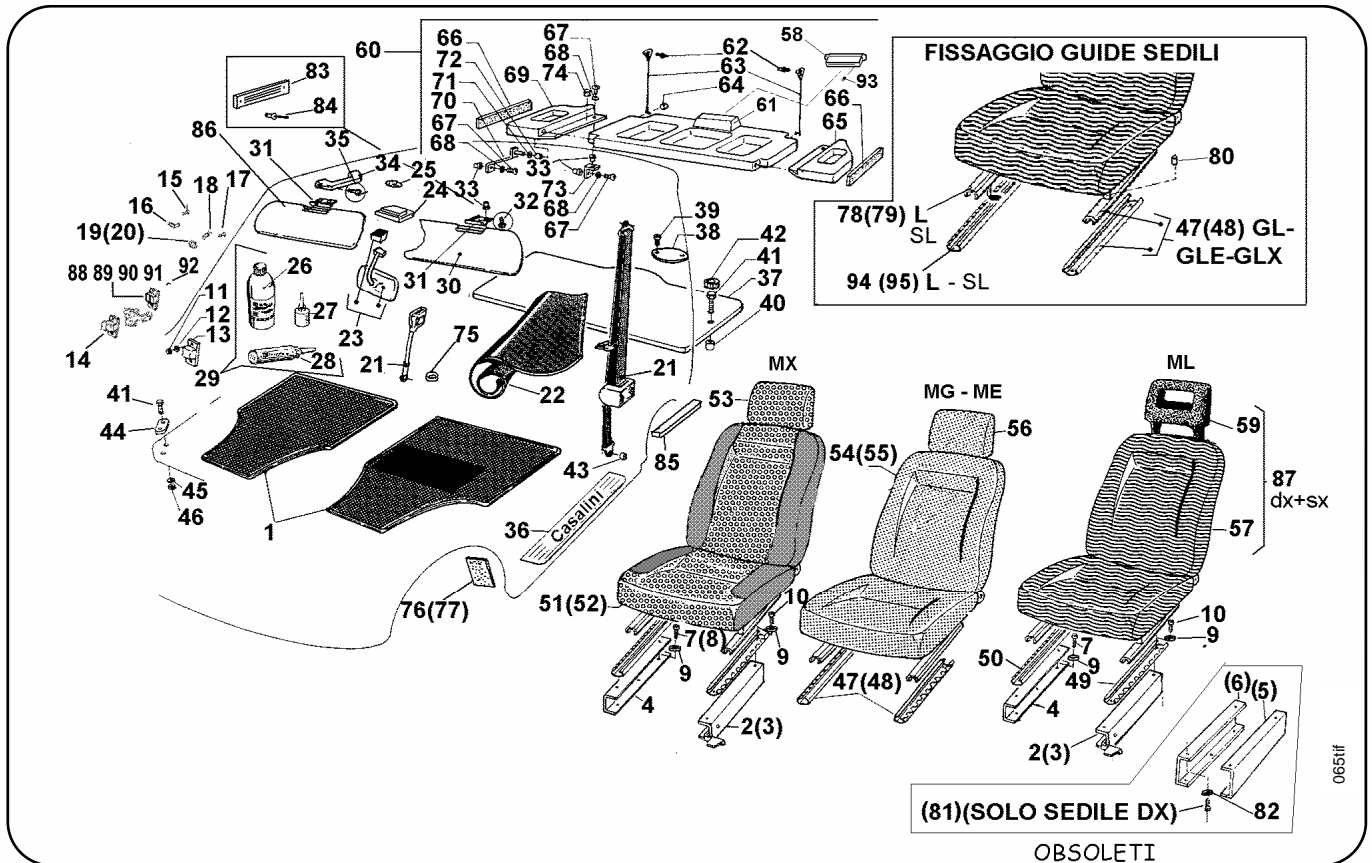
RIF.	CODICE-CODE	DESCRIZIONE
1	C5015006005	CUSCIN 6005 2RS 25*47*12
2	F0040000635	DIST_MEX TAMB/FRENO POS 10
3	F0040000563	CEPPO COMEX ANT
4	F0040000636	MOLLA MEX TRAZ/SUP MOZZO POST
5	F0040000640	LEVA MEX MOZZO/FRE POS/SX
6	F0040000569	CILINDRE/88 POS D16 COMEX F261
7	F0040000638	PORTACEPPI MEX 10P NUDDO SX
8	C0106006010	VITE TE FI PG ZN 6* 10 5739
9	F0040000620	MOZZO TAMB/FRE COMEX 88/A F837
10	C0106008025	VITE TE FI PG ZN 8* 25 5739
11	F0040000644	PIASTRA_MEX GUIDACEPPI EST
12	F0040000645	PIASTRA_MEX GUIDACEPPI INT
13	F0040000642	MOLLA MEX CLIP/LAT MOZZO POST
14	F0040000637	MOLLA MEX TRAZ/INF MOZZO POST
15	F0040000562	CEPPO COMEX POST
16	F0040000646	TAPPO MEX CILINDRETTO TAMB POS
17	C0370008000	DADO ABN PG ZN M 8/H 9,5 7473
18	F0040000643	PERNO_MEX GUIDA CEPPI
19	F0040000639	PORTACEPPI MEX 10P NUDDO DX
20	F0040000641	LEVA MEX MOZZO/FRE POS/DX
21	F0040000505	MOZZO COMEX 10 POST SX
22	F0040000506	MOZZO COMEX 10 POST DX
23	F0040000649	CILINDRE/10 POS D13 COMEX F267
24	F0040000647	MOZZO COMEX 10 POST SX 2S
25	F0040000648	MOZZO COMEX 10 POST DX 2S

RIF.	CODICE-CODE	DESCRIZIONE
------	-------------	-------------



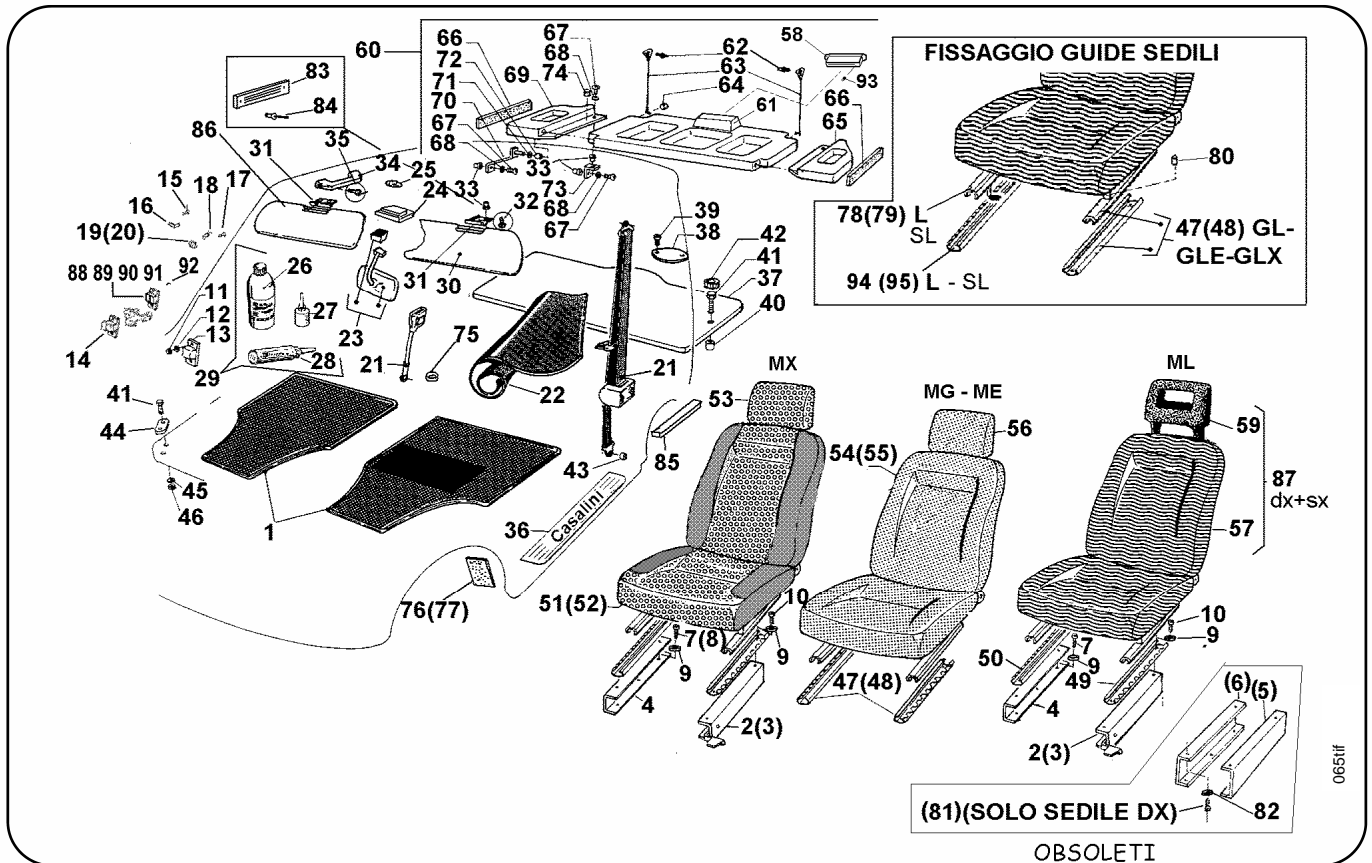
RIF.	CODICE-CODE	DESCRIZIONE
1	F0584000105	BUNDY 10/60/88 B/B L1520 CENTR
2	F0584000101	TUBO FLEX 10/60 L270 ANT
3	F0274000002	MOLLETTA BUNDY SERB/FRE 2V IND
4	P0012039130	RONDELLA ACC 17*24*1,5 FREN/10
5	D0103010012	RONDELLA ALLU 10*16*1,5 FRENI
6	F0584000109	VITE TE FORATA 10*1 H19 10
7	F0584000123	BUNDY 10 L500 ANT/SX 1/1.25
8	F0584000128	BUNDY 10 L1790 LAT 1.25/1.25
9	F0584000125	BUNDY 10 L920 POST 1/1 2S B/B
10	F0584000127	LIMITATORE FREN 2V C/COLLARE
11	C0100008050	VITE TE FM PG ZN 8* 50 5737
12	C0800084170	ROND 8 ZN 8,4*17*1,6 6592
13	F0274000007	RACCORDO FRENI 3V 10 10*1 2S
14	F0584000119	TUBO FLEX 10/65 POS L400 M10*1
15	F0584000126	TUBO FLEX 10 POS/DX L400 M10*1
16	G9011021320	GP 10/8 POMPA FRENI C/INTERR
17	F2153000003	TAPPO SERB/FRENI 2V C/SPIA SRL
18	F2152000002	SERBAT FRENI 2V DIR 10/65C/TAP
19	U3200000104	OLIO FRENI BRAKE FLUID
20	D0101010022	VITE TE FORATA 10*1,25H20 10
21	F2131000005	POMPA FRENI 2V 10/60/80 C/F
22	F0089000001	INTERRUT STOP/POMPA PF 10/STD
23	P0141019210	RONDELLA ACC 17*25*1,5 FREN/60
24	F2152000003	SERBAT FRENI 2V DIR SRL S/TAP
25	E0724000200	SUPP FASCETTA ADESIVO PVC
26	E0723005315	FASCETTA L200*4,8 5315
27	F0584000121	LIMITATORE FREN 2V
28	F0584000124	BUNDY 10 L1800 LAT 1/1.25 2S

RIF.	CODICE-CODE	DESCRIZIONE
29	F0584000108	LIMITATORE FREN 3V
30	C0106006045	VITE TE FI PG ZN 6* 45 5739
31	C0816006000	ROND GROWER GR/ZN 6
32	C0805066180	ROND BL 6 ZN 6,6*18*2 6593
33	F0584000129	BUNDY 10 L250 3V/COR 1/1.25
34	F2152000004	SERBAT FRENI 2V DIR 10 C/T 2S
35	F2152000005	SERBAT FRENI 2V DIR 10 S/T 2S
36	F2153000006	TAPPO SERB/FRENI 2V C/SP 10 2



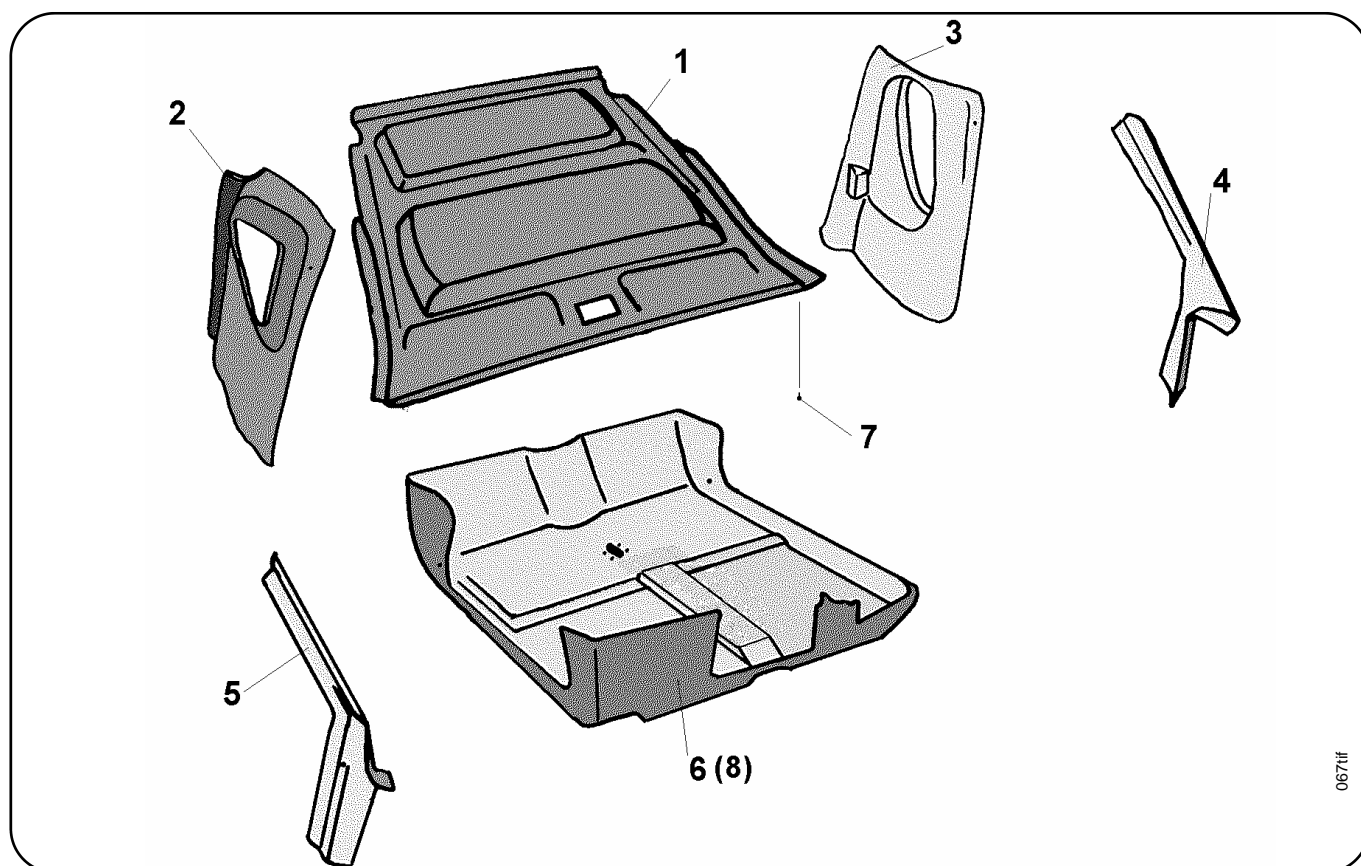
RIF.	CODICE-CODE	DESCRIZIONE
1	F2164000111	TAPPETO 10Me 2S
2	G0129021160	SUPP SEDILE 10/INCL SX C/LE VN
3	P0729038290	SUPP SEDILE 10/INCL SX VN
4	P0729038300	SUPP SEDILE 10/INCL DX VN
5	P0729040140	SUPP SEDILE 10/L INC H99 SX CF
6	P0729040150	SUPP SEDILE 10/L INC H99 DX CF
7	C0120006016	VITE TCEI PG ZN 6* 16 5931
8	C0230006016	VITE TBEI FI PG 6* 16 7380
9	C0800064125	ROND 6 ZN 6,4*12,5*1,6 6592
10	C0120006016	VITE TCEI PG ZN 6* 16 5931
11	C0310006000	DADO EN PG ZN M 6/H 5 5588
12	C0805066180	ROND BL 6 ZN 6,6*18*2 6593
13	P0060038810	COPRICERN EST PORTA 10 ABS IN
14	P0060040950	COPRICERN EST PORTA 10 ABS SUP
15	C0552039064	VITE AF TCBIC NI 3,9* 6,4 6954
16	E0408002001	FASTON M/RIV D5 6.3 A 45gradi
17	C0552039095	VITE AF TCBIC NI 3,9* 9,5 6954
18	F0089000006	INTERRUT PLAF/CERN 10 NUDO
19	P0121041740	SPES INT PLAF 10 AL H2.5
20	P0121041750	SPES INT PLAF 10 AL H4
21	F2122000003	CINTURA SICUR SING/AVVOL
22	G0002020761	GR MOQUETTE 10Me PREF
23	F2114000022	RETROVISORE INT 10 2P S/PLAF
24	F2115000003	PLAFONIERA 10 GRIGIA C/LAMPADA
25	E0201012010	LAMPADA SILURO 12/10
26	U3108000102	FONDO SRL PULITURA/PRIM VETRO
27	U3109000105	FONDO PRIMER VER/VETRO T/VERDE
28	U3113000106	SIGILL/COLLA VETRO 10 CART LEN

RIF.	CODICE-CODE	DESCRIZIONE
29	G0060000013	SET SIGILLATURA VETRI 60/10 K
30	F2119000004	PANTINA 10 SX C/TASCA
31	F2120000001	CERNIERA PANTINA STD
32	C0175004020	VITE TCIC FI PG 4* 20 7985
33	C5010004005	RIVETTO FILET TC M4*10,5
34	P0160038690	MANIGLIA SOST/PASS L170 CPL
35	C0552055190	VITE AF TCBIC NI 5,5*19 6954
36	P0014037880	ADESIVO 10 SOTTOPORTA
37	P0060035810	PANNELLO COPRIRUOTA 10
38	P0021036060	PIASTRA ISPEZ/SONDA CARB 10 ZN
39	C0550039130	VITE AF TCBIC NI 3,9*13 6954
40	C5010008029	RIVETTO FILET TC M8*29
41	C0106008030	VITE TE FI PG ZN 8* 30 5739
42	F2159000005	POMOLO D30/M8-TE COF/POST
43	P0110036800	DIST D24*6H 6 AVV/CINT 10 ZN
44	P0136037330	RINF TELAIO 10 ZN
45	C0800084170	ROND 8 ZN 8,4*17*1,6 6592
46	C0370008000	DADO ABN PG ZN M 8/H 9,5 7473
47	F2118000005	GUIDE SEDILE CDS 2PZ-SX GL/GLX
48	F2118000004	GUIDE SEDILE CDS 2PZ-DX GL/GLX
49	F2118000010	GUIDE SEDILE GEM 2PZ-SX 10Me
50	F2118000009	GUIDE SEDILE GEM 2PZ-DX 10Me
51	F2117000034	SEDELE REG 10/GLX CPL 2S/SX
52	F2117000035	SEDELE REG 10/GLX CPL 2S/DX
53	F2117000041	POGGIATESTA SEDILE 10Me MX
54	F2117000038	SEDELE REG 10/GL/E CPL SX 2S
55	F2117000037	SEDELE REG 10/GL/E CPL DX 2S
56	F2117000042	POGGIATESTA SEDILE 10Me ML-E



RIF.	CODICE-CODE	DESCRIZIONE
57	F2117000044	SEDILE 10Me ML NUDO
58	F2102000038	FARO 3øSTOP 10 Me S/LAMP
59	F2117000043	POGGIATESTA SEDILE 10Me ML
60	G0002021231	CAPPELLIERA 10 CPL 3øSTOP
61	P0060043200	CAPPELLIERA 10 CENTR 3øSTOP
62	F0114000020	TAPPO PVC FUNE SOSP/CAP 10
63	F0114000021	FUNE SOSP/CAPPELLIERA 10
64	P0060037550	SCONTRO ADESIVO GOMMA 12*12*6
65	P0029039170	CAPPELLIERA 10 FIANCO SX
66	Z0207025005	GUARNIZ SPUGNA ADES 200*50
67	C0210004020	VITE TSP FI PG ZN 4* 20 7688
68	C0835174260	ROND SVASATA NY 4 17426/C-6594
69	P0029039180	CAPPELLIERA 10 FIANCO DX
70	P0129039370	SUPP CAPPELLIERA 10 ANT
71	C0923006000	STARLOCK D 6
72	Z0102007013	TUBO_TELA/CARB D 7.5*14.5
73	P0129039380	SUPP CAPPELLIERA 10 POST
74	C5200008034	TAPPO PVC 08*20H 12/34 CAPPELL
75	F0114000024	PASSACAVO D24/14H30 GOMMA 2010
76	P0060038530	RIVEST POGGIPIEDE 10 SX/S
77	P0060038540	RIVEST POGGIPIEDE 10 DX/L
78	F2118000008	GUIDA SEDILE A V CDS SUP DX
79	F2118000007	GUIDA SEDILE A V CDS SUP SX
80	P0110041840	DIST D16*3,7H 30 SEDILE 10L ZN
81	C0106008016	VITE TE FI PG ZN 8* 16 5739
82	C0816008000	ROND GROWER GR/ZN 8
83	F0475000104	BOCCHETTA ARIA 10 SCARICO
84	C5000032100	RIVETTO S2A ZN/ZN 3,2*10 9200

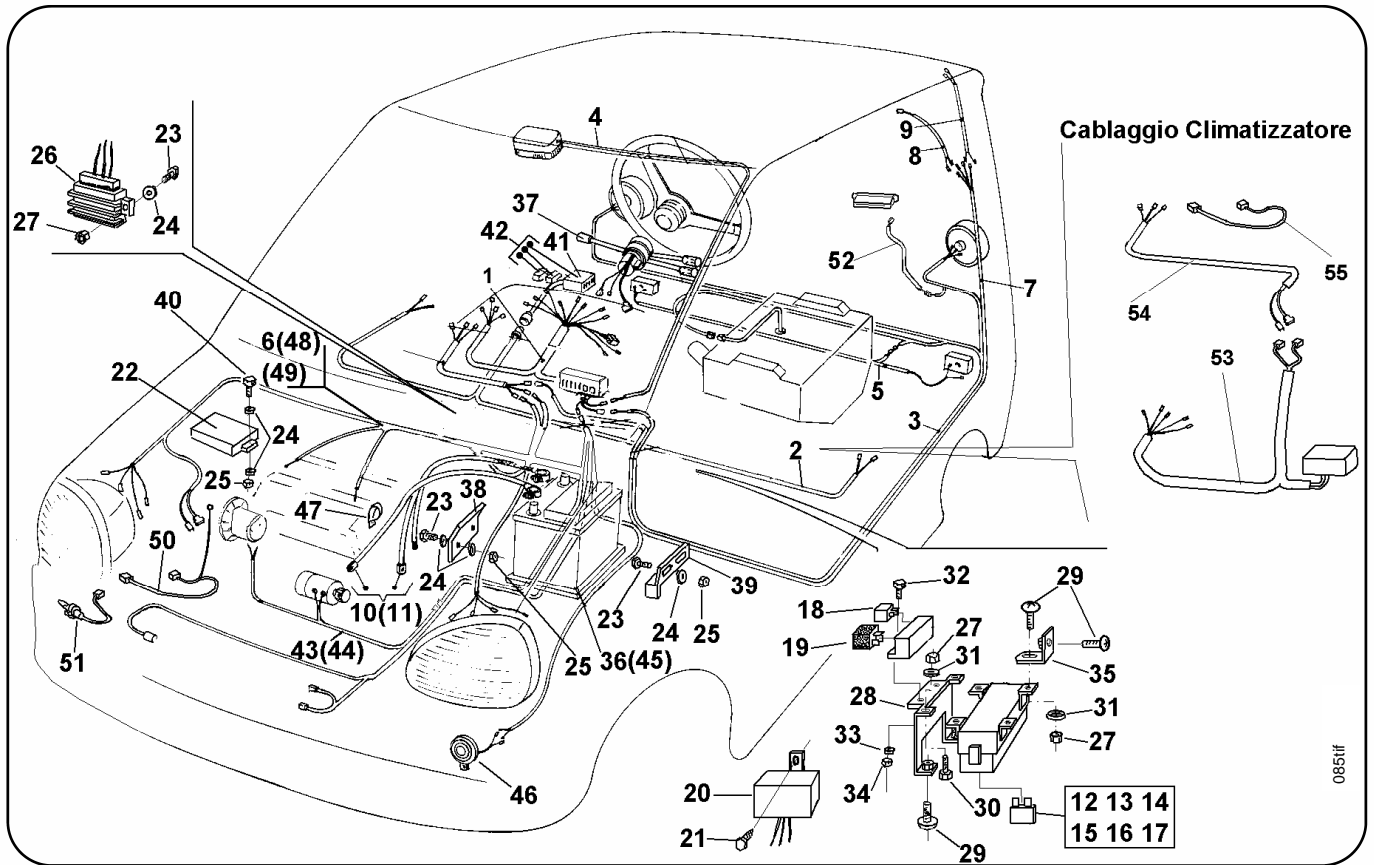
RIF.	CODICE-CODE	DESCRIZIONE
85	P0060040430	INSONOR 10 R/SCORTA-PARAU/ANT
86	F2119000005	PANTINA 10 DX C/SPECCHIO
87	F2117000036	SEDILE 10/SL CPL SCOR SX/DX 2S
88	P0060042560	COPRICERN INT PORTA 10 ABS DXA
89	P0060042570	COPRICERN INT PORTA 10 ABS DXB
90	P0060042580	COPRICERN INT PORTA 10 ABS SXA
91	P0060042590	COPRICERN INT PORTA 10 ABS SXB
92	C0553029130	VITE AF TCBIC NI 2,9*13 6954
93	E0203012005	LAMPADA 1L/ABP 12/ 5 POST
94	F2118000001	GUIDA SEDILE A V CDS INF SX
95	F2118000006	GUIDA SEDILE A V CDS INF DX



067.tif

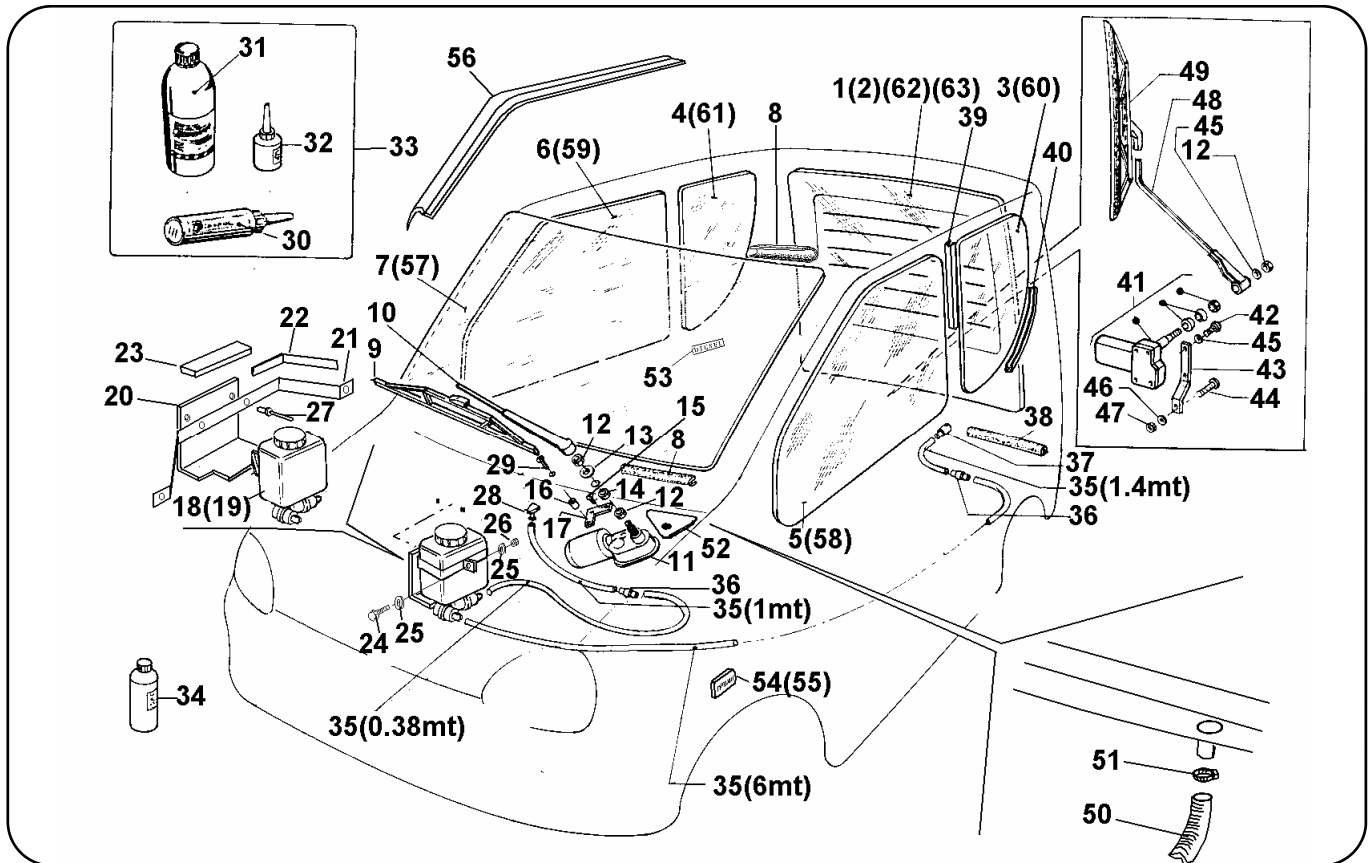
RIF.	CODICE-CODE	DESCRIZIONE
1	P0060042670	RIVEST PREF 10 TETTO CPL
2	P0060042690	RIVEST PREF 10 FIANCO POST DX
3	P0060042680	RIVEST PREF 10 FIANCO POST SX
4	P0060042700	RIVEST PREF 10 MONTANT ANT SX
5	P0060042710	RIVEST PREF 10 MONTANT ANT DX
6	P0060043180	RIVEST PREF 10 TN PIANALE CPL
7	C5200109231	TAPPO PVC 8*15H19
8	P0060042720	RIVEST PREF 10 PIANALE CPL

RIF.	CODICE-CODE	DESCRIZIONE
1	P0060042670	RIVEST PREF 10 TETTO CPL
2	P0060042690	RIVEST PREF 10 FIANCO POST DX
3	P0060042680	RIVEST PREF 10 FIANCO POST SX
4	P0060042700	RIVEST PREF 10 MONTANT ANT SX
5	P0060042710	RIVEST PREF 10 MONTANT ANT DX
6	P0060043180	RIVEST PREF 10 TN PIANALE CPL
7	C5200109231	TAPPO PVC 8*15H19
8	P0060042720	RIVEST PREF 10 PIANALE CPL



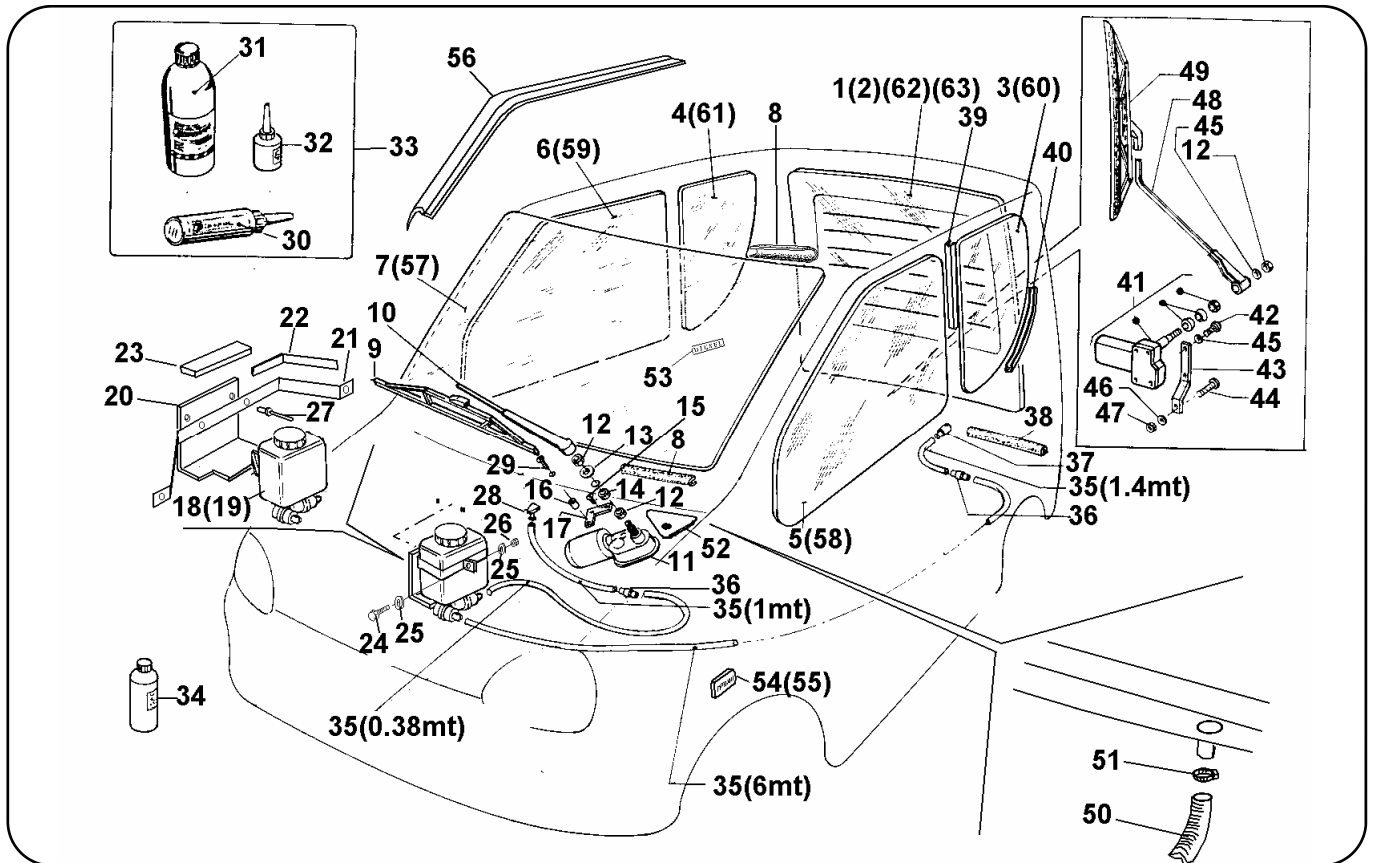
RIF.	CODICE-CODE	DESCRIZIONE
1	P0060042651	CABLAGGIO CRUSC 10 CT_4SMe M/L
2	P0060040620	CABLAGGIO PORTE 10M/L CT.AD
3	P0060043210	CABLAGGIO TEL 10M/L CT ANT 4S
4	P0060040600	CABLAGGIO TEL 10M/L CT PLAFON
5	P0060040580	CABLAGGIO TEL 10M/L CT PAR-POS
6	P0060040561	CABLAGGIO TEL 10L CT ANT 2S
7	P0060040630	CABLAGGIO TEL 10M/L CT.AD CENT
8	P0060040650	CABLAGGIO TEL 10M/L CT.AD RTER
9	P0060040640	CABLAGGIO TEL 10M/L CT.AD SBRI
10	P0060040610	CABLAGGIO TEL 10M CT BATTERIA
11	P0060042070	CABLAGGIO TEL 10/18 CT BATTER
12	E0713000500	FUSIBILE A INNESTO 5A
13	E0713007500	FUSIBILE A INNESTO 7,5A
14	E0713001500	FUSIBILE A INNESTO 15A
15	E0713002000	FUSIBILE A INNESTO 20A
16	E0713002500	FUSIBILE A INNESTO 25A
17	E0713030000	FUSIBILE A LAMELLA 30A
18	E0717000120	RELAIS SBRIN/TERGI/ALZAC 10
19	E0717000115	RELAIS INTERMIT SRL 12V/42/46*2
20	E0717000121	RELAIS CANDELETTE 10/18 CT
21	C0500063190	VITE AF TE 6,3*19 6949
22	F0098000010	RELAIS STOPMOTORE 10 M538 4KW
23	C0106006020	VITE TE FI PG ZN 6* 20 5739
24	C0805066180	ROND BL 6 ZN 6,6*18*2 6593
25	C0370006000	DADO ABN PG ZN M 6/H 8 7473
26	F0099000341	REGOLAT 10/65 LOMB 30A/5F
27	C0314006000	DADO EN PG NX M 6/H 5 5588
28	P0129041010	SUPP PORTAFUSIB 10 DX CT/3S ZN

RIF.	CODICE-CODE	DESCRIZIONE
29	C0573006016	VITE TBLCOMBI ZN 6*16
30	C0106006020	VITE TE FI PG ZN 6* 20 5739
31	C0826006000	ROND DENTATA 6 8842
32	C0106004010	VITE TE FI PG ZN 4* 10 5739
33	C0816004000	ROND GROWER GR/ZN 4
34	C0310004000	DADO EN PG ZN M 4/H 3,2 5588
35	P0129041040	SUPP PORTAFUSIB 10 SX CT/3S ZN
36	E0301000175	BATTERIA 12V/180A/34Ah STD
37	F2104000002	DEVIOLUCI 10/SRL
38	P0121035540	FERMABAT 10 INF ZN
39	P0121038840	FERMABAT 10 SUP ZN
40	C0106006025	VITE TE FI PG 6* 25 5739
41	F2182000119	CENTRALINA CHIUS/CEN 10 C/CHIA
42	F2182000118	CENTRALINA CHIUS/CEN 10 C/TELE
43	P0060040590	CABLAGGIO TEL 10M CT MOTORE
44	P0060042080	CABLAGGIO TEL 10L CT MOTORE
45	E0301000260	BATTERIA 12V/260A/44Ah 10/65
46	F2103000002	CLAXON 12V SULKY
47	P0129036770	FERMACAVO ELETTRICO 10 MITS LZ
48	P0060040560	CABLAGGIO TEL 10M CT ANT 1S
49	P0060040562	CABLAGGIO TEL 10M/L CT ANT 3S
50	P0060042430	CABLAGGIO TEL 10M CT.AD L/RAD
51	F0499000150	SONDA LIVELLO LIQUIDO RAD 10
52	P0060043220	CABLAGGIO TEL 10M/L CT.AD 3STP
53	F2105000217	CABLAGGIO CLIMA VANO MOT
54	F2105000212	CABLAGGIO CLIMA CRUSC CONTROL
55	F2105000213	CABLAGGIO CLIMA CRUSC ILLUMIN



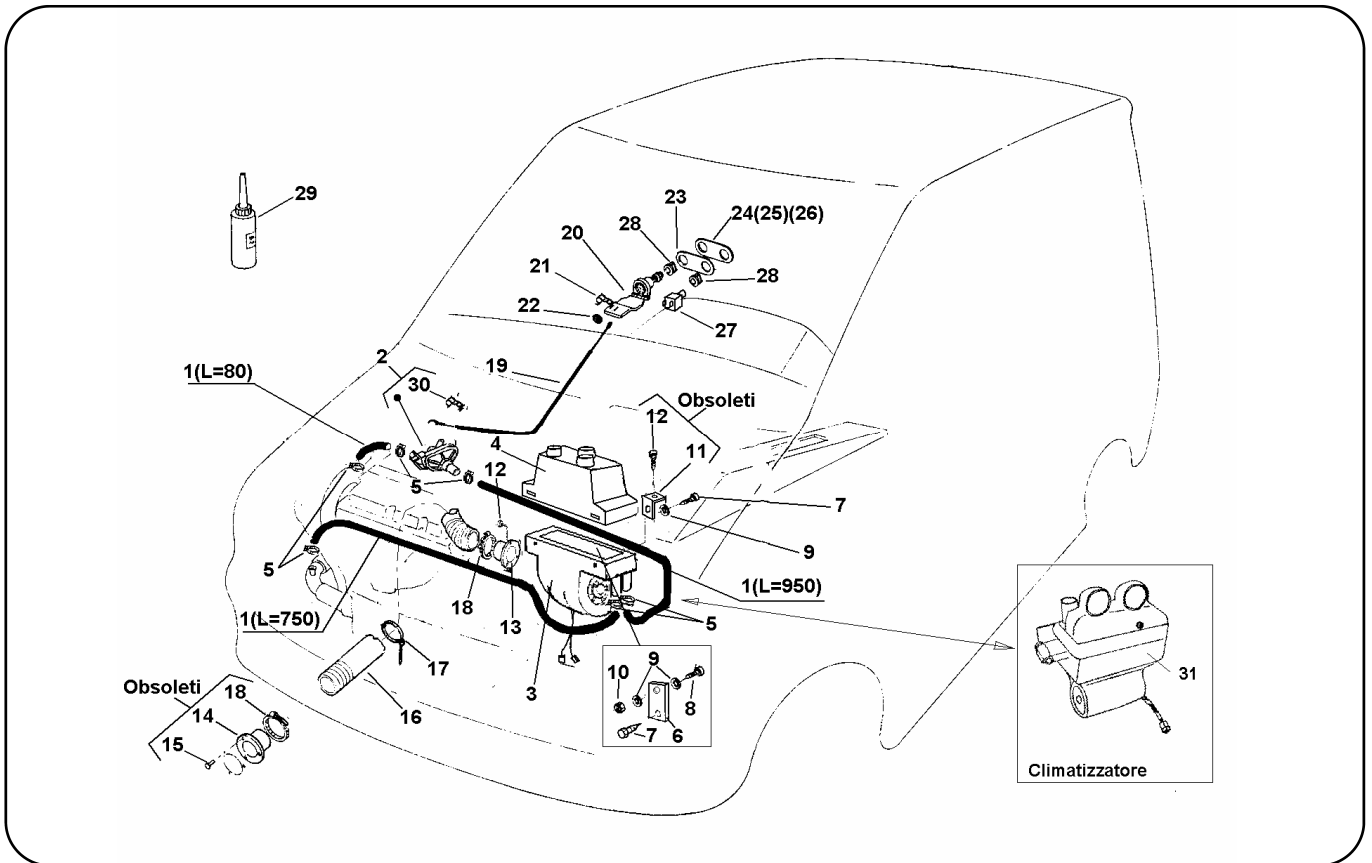
RIF.	CODICE-CODE	DESCRIZIONE
1	P0019041970	VETRO PORTELLO 10 C/RES VERDE
2	P0019041980	VETRO PORTELLO 10 S/RES VERDE
3	P0019041930	VETRO FIANCO 10 SX VERDE
4	P0019041940	VETRO FIANCO 10 DX VERDE
5	P0019041950	VETRO PORTA 10 SX NUDO VERDE
6	P0019041960	VETRO PORTA 10 DX NUDO VERDE
7	P0019041920	VETRO ANT 10 STRATIF/VERDE
8	P0040039580	GUARN 10 VETRO ANT/INF
9	F0141000021	SPAZZOLA TERGI L600 10A C/GANC
10	F0141000024	BRACCIO TERGI 10 ANT
11	F0141000023	MOTORTERGI 10 ANT 1B/3V
12	C0321016000	DADO EB PF ZN M16*1,5H 8 5589
13	C0310008000	DADO EN PG ZN M 8/H 6,5 5588
14	P0110041720	DIST D34*7H 5 TERGI/ANT 10
15	C0230006010	VITE TBEI FI PG 6* 10 7380
16	P0110006770	DIST D20*6H 5 COL/STER ZN
17	P0129037100	SUPP MOTORTERGI 10 ANT ZN
18	F2182000101	SERBAT TERGI RIGIDO 1V/LT 1,5
19	F2182000109	SERBAT TERGI RIGIDO 2V/LT 1,5
20	P0129042090	SUPP SERB/TERGI 10 TN LZ
21	P0129042100	FASCIA SERB/TERGI 10 LZ
22	Z0207007004	GUARNIZ SPUGNA ADES 75*45
23	Z0207025005	GUARNIZ SPUGNA ADES 200*50
24	C0106004025	VITE TE FI PG ZN 4* 25 5739
25	C0800043090	ROND 4 ZN 4,3* 9*0,8 6592
26	C0370004000	DADO ABN PG ZN M 4/H 5,8 7473
27	C5001048100	RIVETTO A FIORE
28	F2181000100	SPRUZZATORE TERGI 3 VIE

RIF.	CODICE-CODE	DESCRIZIONE
29	C0230006025	VITE TBEI FI PG 6* 25 7380
30	U3113000106	SIGILL/COLLA VETRO SRL CART
31	U3108000102	FONDO SRL PULITURA/PRIM VETRO
32	U3109000105	FONDO PRIMER VETRO/LAM/ABS
33	G0060000013	SET SIGILLATURA VETRI 60/10 K
34	U3200000111	ANTIGELO CIRCUITO TERGI
35	Z0106004000	TUBO_TRASP D 4* 6 TERGI
36	F0141000031	RACC TUBO TERGI 2V
37	F0141000030	SPRUZZATORE TERGI POST
38	P0040039590	GUARN 10 VETRO POST/INF
39	Z0205105100	GUARNIZ 30 VET/PORTA FIS/P1051
40	Z0220900101	GUARNIZ 10 V/VETRO ANT-POS/INF
41	F0141000027	MOTORTERGI 10 POST 1B/1V
42	C0230006016	VITE TBEI FI PG 6* 16 7380
43	P0129039400	SUPP MOTORTERGI 10 GLX POST ZN
44	C0230006020	VITE TBEI FI PG 6* 20 7380
45	C0826006000	ROND DENTATA 6 8842
46	C0800064125	ROND 6 ZN 6,4*12,5*1,6 6592
47	C0370006000	DADO ABN PG ZN M 6/H 8 7473
48	F0141000028	BRACCIO TERGI 10 POST
49	F0141000029	SPAZZOLA TERGI L410 10P C/GANC
50	Z0101020000	TUBO_PVC D20 SCARICO H2O 10
51	C5130018028	FASCETTA A VITE 16-27/18-28
52	P0014037510	ADESIVO 10 NERO TERGI
53	P0014037850	ADESIVO DIESEL PRESPAZIATO
54	P0014038850	ADESIVO DROP MITSUBISHI
55	P0014041910	ADESIVO DROP CASALINI.Lomb
56	Z0201560143	GUARNIZ 10 PORTA ROMPIGOCCI 2S



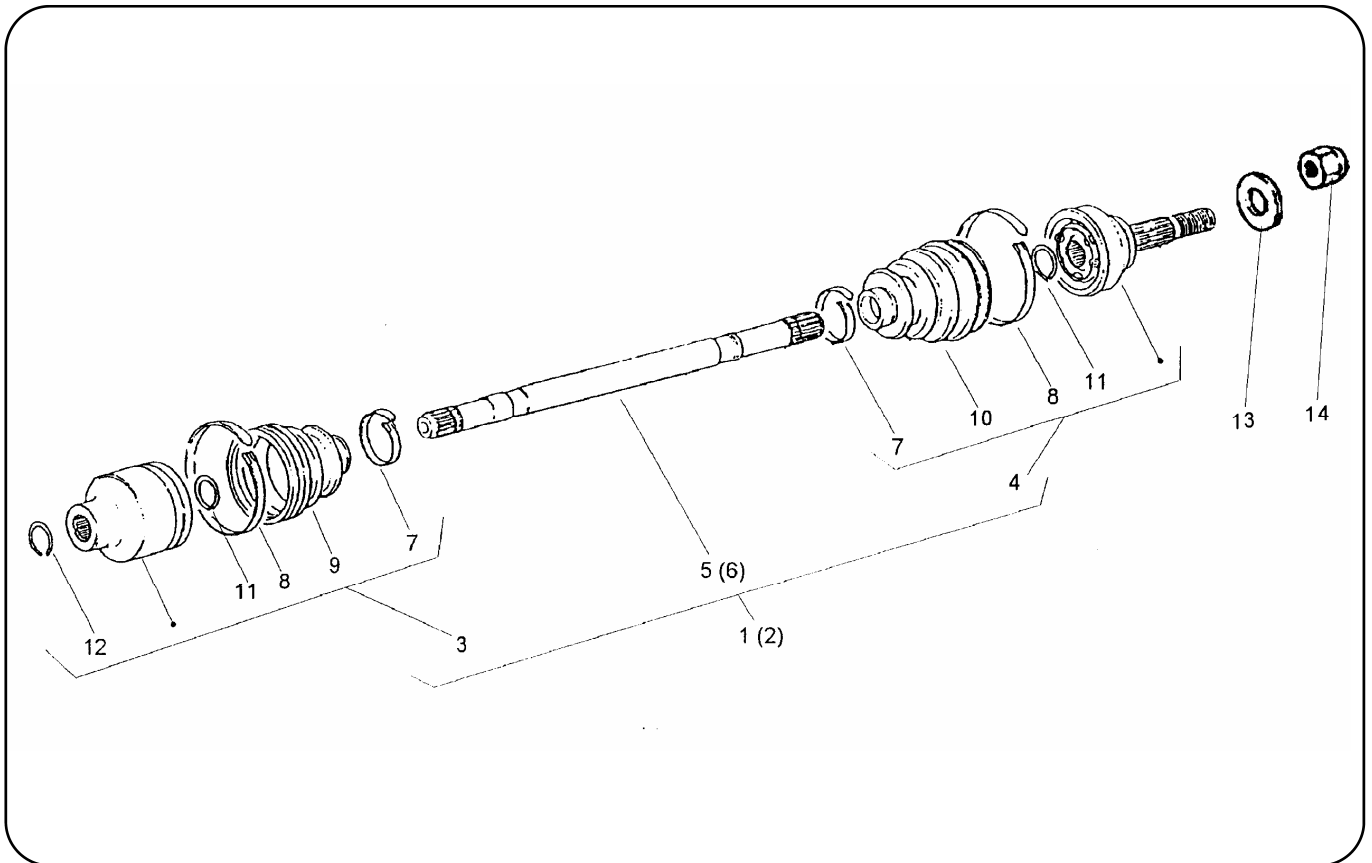
RIF.	CODICE-CODE	DESCRIZIONE
57	P0019032560	VETRO ANT 10 STRATIF/BIANCO
58	P0019032540	VETRO PORTA 10 SX NUDO BIANCO
59	P0019032550	VETRO PORTA 10 DX NUDO BIANCO
60	P0019032520	VETRO FIANCO 10 SX BIANCO
61	P0019032530	VETRO FIANCO 10 DX BIANCO
62	P0019032570	VETRO PORTELLO 10 C/RES BIANC
63	P0019032580	VETRO PORTELLO 10 S/RES BIANC

RIF.	CODICE-CODE	DESCRIZIONE
31		Bottiglia di liquido
32		Applicatore di liquido
30		Traspirante
33		Traspirante
56		Traspirante
34		Traspirante
54(55)		Traspirante
51		Traspirante
50		Traspirante



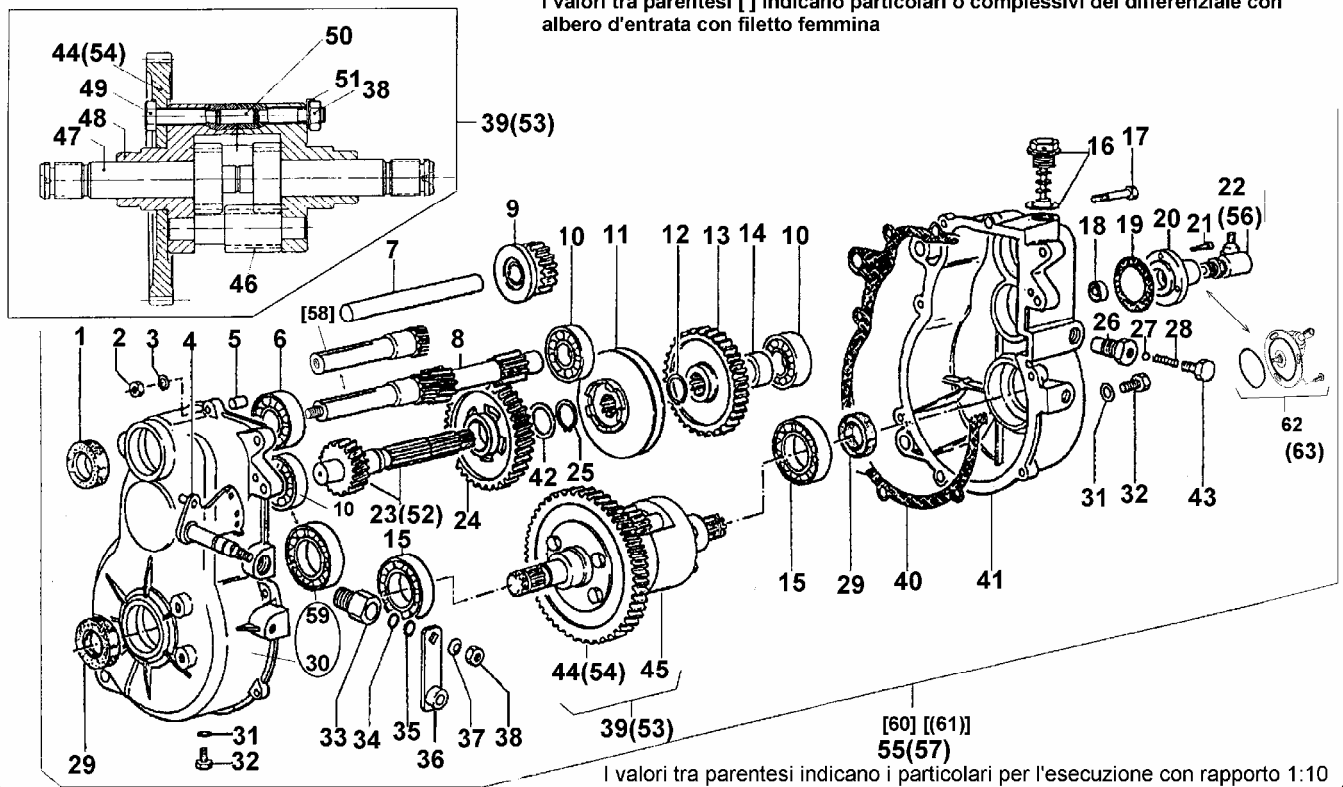
RIF.	CODICE-CODE	DESCRIZIONE
1	Z0102013021	TUBO_TELA/RISC 65/93/4 D12*19
2	F2105000023	RUBINETTO VENT RISC 10/KAL
3	F2105000022	VENTOLA RISC 10 C/RADIAT 2S
4	P0130040520	CARTER RISC CONV/ARIA 10/KAL
5	C5130018028	FASCETTA A VITE 16-27/18-28
6	P0129041070	SUPP VENTOLA RISC 10/KAL
7	C0552055190	VITE AF TCBIC NI 5,5*19 695
8	C0106006020	VITE TE FI PG ZN 6* 20 573
9	C0805066180	ROND BL 6 ZN 6,6*18*2 659
10	C0370006000	DADO ABN PG ZN M 6/H 8 747
11	P0129041090	SUPP RUBINETTO 10/KAL
12	C0552048095	VITE AF TCBIC NI 4,8* 9,5 695
13	P0060041080	FLANGIA ABS D70 RISC/10 KAL
14	P0060038590	FLANGIA ABS D70 RISC/10 AUR
15	C5001048100	RIVETTO A FIORE
16	Z0101070001	TUBO_PVC D70 RISC 10
17	E0723005319	FASCETTA L360*4,8 5319
18	C5130060090	FASCETTA A VITE 60-90
19	P0038041240	CAVO CPL RISCALDAMENTO 10 TN
20	F2105000011	LEVA COMANDO RISC 10 D31/CAVO
21	F2105000014	MOLLA AUR CAVO/RISC 10 COMAN
22	C0923005000	STARLOCK D 5
23	P0029038960	SUPP COMANDI RISC 10/AURORA Z
24	P0014039150	ADESIVO 10 COMANDO RISC AUROR
25	P0060039320	INSERTO RADICA CRUS/RISCAL TV
26	P0060040350	INSERTO RADICA CRUS/RISCAL TN
27	F2105000025	INTERRUT RISC 10 3V/KAL
28	F2105000013	POMOLO RISC 10 D31 AURO

RIF.	CODICE-CODE	DESCRIZIONE
29	U3113000101	SIGILL GIUNTI SCOCCA CART
30	F2105000024	MOLLA KAL CAVO/RISC 10 RUBIN
31	G0016022450	GR CLIMA/RISCALDATORE 10

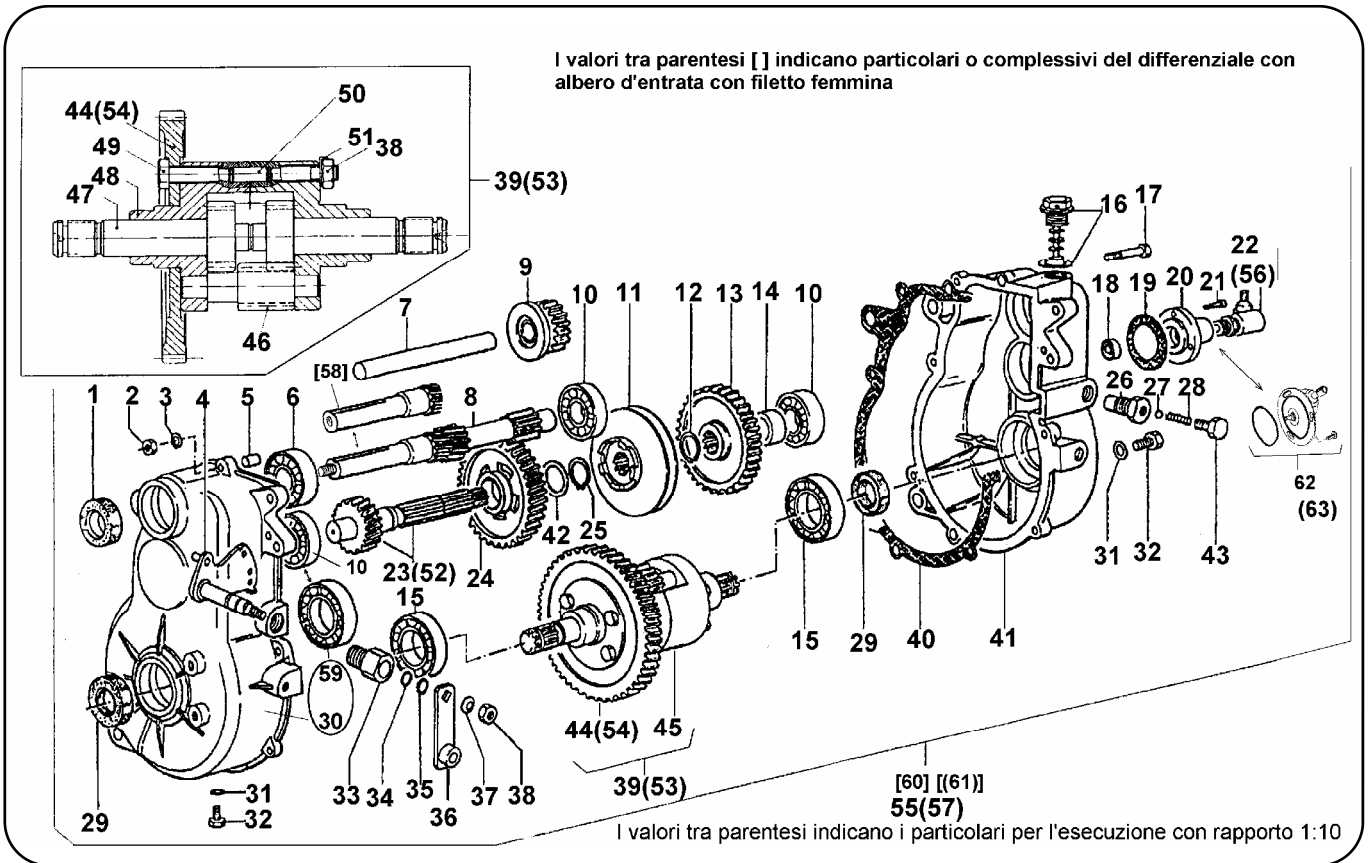


RIF.	CODICE-CODE	DESCRIZIONE
1	F0040000609	SET OMO MAS/FEM C/SEM 10 DXL
2	F0040000610	SET OMO MAS/FEM C/SEM 10 SXC
3	F0502000101	GIUNTO OMOCIN FEM/DIFF
4	F0502000100	GIUNTO OMOCIN MAS/RUOTA
5	P0016033760	SEMIASSE 10 L448 DXL
6	P0016033750	SEMIASSE 10 L395 SXC
7	F0040000576	FASCETTA COMEX G/OMOC D23
8	F0040000575	FASCETTA COMEX G/OMOC D65
9	F0040000577	SOFFIET MEX OMO/FEM/2SEZ NUDO
10	F0040000578	SOFFIET MEX OMO/MAS/3SEZ NUDO
11	F0040000559	ANELLO ARRESTO COMEX G/OMOC 18
12	C0922018000	ANELLO ARRESTO ALB 18 7433
13	F0040000589	ROND_COMEX 16*30*4 F/DISC-OMOC
14	F0040000590	DADO_COMEX M16*1,5 F/DISC-OMOC

RIF.	CODICE-CODE	DESCRIZIONE
1	F0040000609	SET OMO MAS/FEM C/SEM 10 DXL
2	F0040000610	SET OMO MAS/FEM C/SEM 10 SXC
3	F0502000101	GIUNTO OMOCIN FEM/DIFF
4	F0502000100	GIUNTO OMOCIN MAS/RUOTA
5	P0016033760	SEMIASSE 10 L448 DXL
6	P0016033750	SEMIASSE 10 L395 SXC
7	F0040000576	FASCETTA COMEX G/OMOC D23
8	F0040000575	FASCETTA COMEX G/OMOC D65
9	F0040000577	SOFFIET MEX OMO/FEM/2SEZ NUDO
10	F0040000578	SOFFIET MEX OMO/MAS/3SEZ NUDO
11	F0040000559	ANELLO ARRESTO COMEX G/OMOC 18
12	C0922018000	ANELLO ARRESTO ALB 18 7433
13	F0040000589	ROND_COMEX 16*30*4 F/DISC-OMOC
14	F0040000590	DADO_COMEX M16*1,5 F/DISC-OMOC



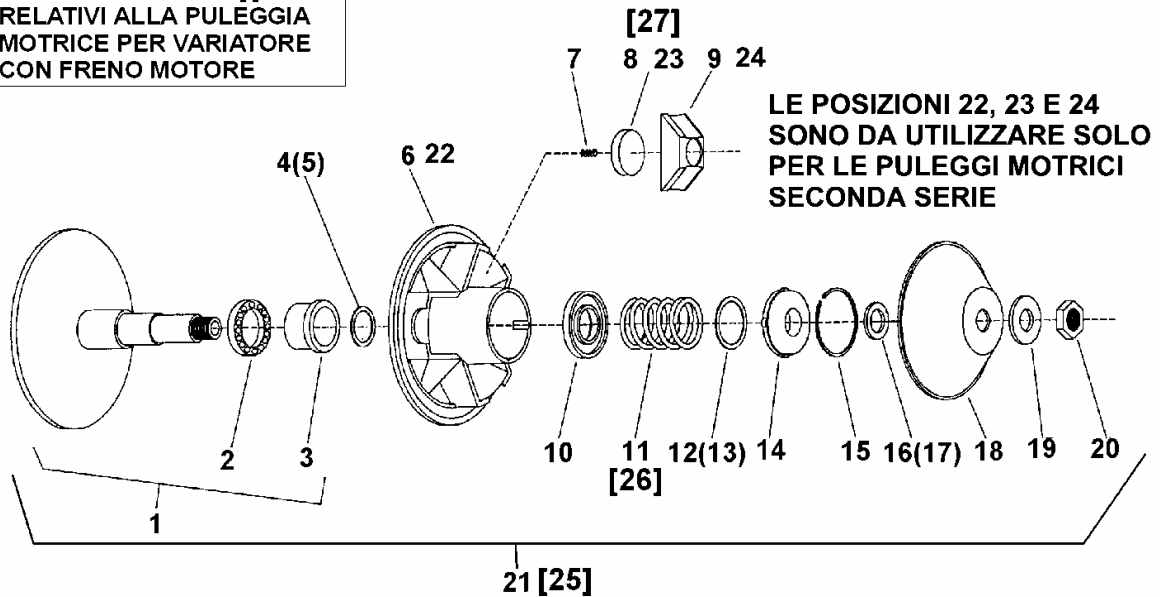
RIF.	CODICE-CODE	DESCRIZIONE	RIF.	CODICE-CODE	DESCRIZIONE
1	C5101025007	PARAOILIO 25*40*7 ALB/ING DIF65	30	F0040000581	CARTER COMEX SP/2F USC/D52 SX
2	C0310006000	DADO EN PG ZN M 6/H 5 5588	31	D0103008011	RONDELLA ALLU 8*14*1,5
3	C0816006000	ROND GROWER GR/ZN 6	32	C0106008016	VITE TE FI PG ZN 8* 16 5739
4	F0040000518	SELET COMEX INT/ALTO 1020	33	F0040000531	BOCCOLA COMEX SELET/ALT 15 SP
5	F0040000593	SPINA COMEX SCATOLA/DIF 2033	34	F0040000533	OR 108 9/12 8,73*1,78
6	F0040000594	CUSCIN 6205 25*52*15 PRIM DIF	35	F0040000535	ANELLO ELAST ALBE D12
7	F0040000515	ALBERO COMEX RETRO/SCOR 1011	36	F0040000599	SELET COMEX CAMBIO/EST 1091
8	F0040000583	ALBERO COMEX PRI/DE1:8 65 1167	37	C0834082020	MOLLATAZZA 180* 82*10 DIN2093
9	F0040000541	INGRAN COMEX RM/MOB-Z25 TN1173	38	C0310008000	DADO EN PG ZN M 8/H 6,5 5588
10	F0040000542	CUSCIN 6204 20*47*14 PIAG90025	39	F0040000600	GR PORTASA MEX OMO/CPLZ71E 1:8
11	F0040000558	INGRAN COMEX 5INN/SCORR F1103	40	F0040000584	GUARNIZIONE COMEX CARTER/SP
12	C0920022000	ANELLO EL ALB TN D22 7435	41	F0040000582	CARTER COMEX SP/1F USC DX
13	F0040000513	INGRAN COMEX RM/FISSO-Z47 1006	42	F0040000566	ROND_COMEX 18*32*0,8 D1171
14	F0040000595	DIST_COMEX ALB/2-RID 1097	43	C0106010010	VITE TE FI PG ZN 10* 10 5739
15	F0040000536	CUSCIN 6006 30*55*13 COMEX	44	F0040000571	INGRAN COMEX 1C/71 R1: 8 DE TN
16	F0040000529	TAPPO COMEX CARIC-SFIA/OIL PVC	45	F0040000602	GR PORTASA MEX OMOC/NUDO TN
17	C0100006040	VITE TE FM PG ZN 6* 40 5737	46	F0040000603	INGRAN COMEX SAT 9/D16 TN
18	F0040000596	PARAOILIO COMEX RINV/CKM 8*22*7	47	F0040000585	ALBERO COMEX USC/PL14/39OMO TN
19	F0040000597	GUARNIZIONE COMEX FLANGIA CKM	48	F0040000604	CALOTTA COMEX P/SAT TN 1195
20	F0040000598	FLANGIA COMEX RINV CKM 1065	49	C0100008090	VITE TE FM PG ZN 8* 90 5737
21	C0154004016	VITE TCID FI PG NX 4* 16 6107	50	F0040000553	SPINA COMEX CALOTTA PORTASAT
22	F2136000009	RINVIO CKM/MEX 10 1: 8 1067/1 Rap:	51	F0040000556	FLANGIA COMEX FERMADADI 2F
23	F0040000572	ALBERO COMEX SEC R1: 8-Z27/DE	52	F0040000605	ALBERO COMEX SEC R1:10-Z22/DE
24	F0040000557	INGRAN COMEX 5INN/RID Z49 1170	53	F0040000601	GR PORTASA MEX OMO/CPLZ76E1:10
25	F0040000567	ANELLO ELAST ALBE ING D2046	54	F0040000606	INGRAN COMEX 1C/76 R1:10 DE
26	F0040000520	BOCCOLA COMEX MOLLA SELETTORE	55	F0040000631	DIFFER COMEX/SP 1: 8DE 10/65TN CKm:
27	F0040000548	SFERA D 8 DIFF/COMEX 2008	56	F2136000007	RINVIO CKM/MEX 65 1:10 1181/27 Rap:
28	F0040000517	MOLLA COMEX COMP/SELETTORE	57	F0040000624	DIFFER COMEX/SP 1:10DE 10/65TV CKm:
29	C5101020008	PARAOILIO 20*40*7 COMEX 2010	58	F0040000653	ALBERO COMEX PRI/DE1:8 65 FEM



RIF.	CODICE-CODE	DESCRIZIONE
59	F0040000632	CUSCIN 6304 20*52*15 SCOR
60	F0040000650	DIFFER COMEX/SP 1: 8DE10 ST F
61	F0040000651	DIFFER COMEX/SP 1:10DE10 CL F
62	F2136000010	RINVIO CKM/MEX 10 1: 8 1460 TN
63	F2136000011	RINVIO CKM/MEX 10 1:10 TN

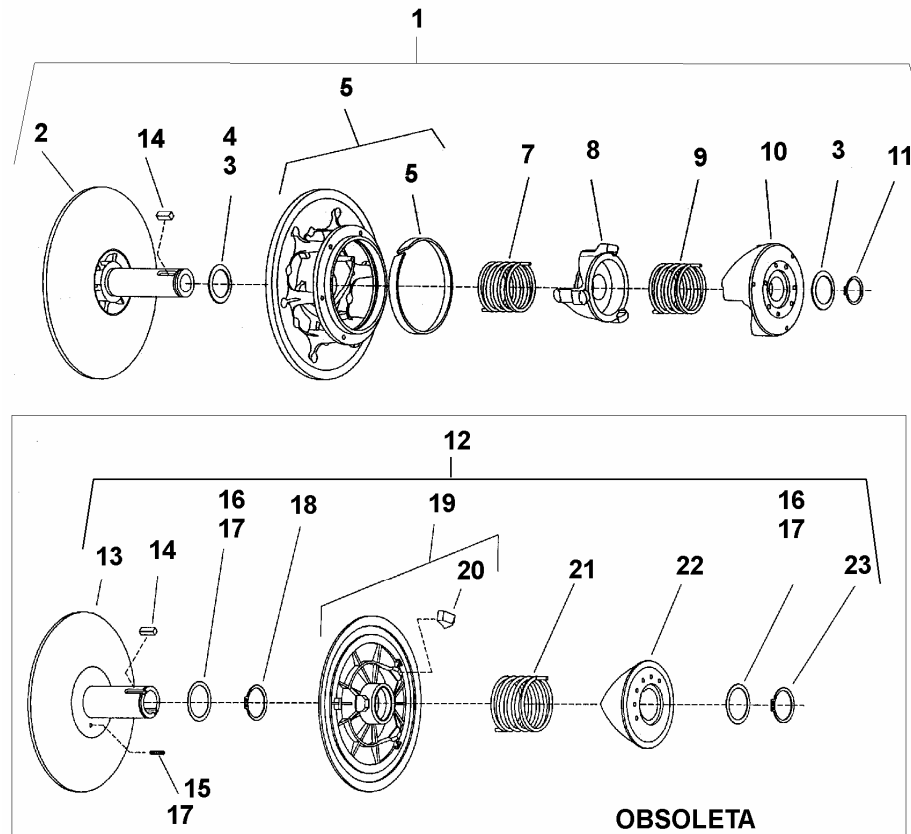
RIF.	CODICE-CODE	DESCRIZIONE
------	-------------	-------------

I PARTICOLARI FRA [ ] SONO RELATIVI ALLA PULEGGIA MOTRICE PER VARIATORE CON FRENO MOTORE



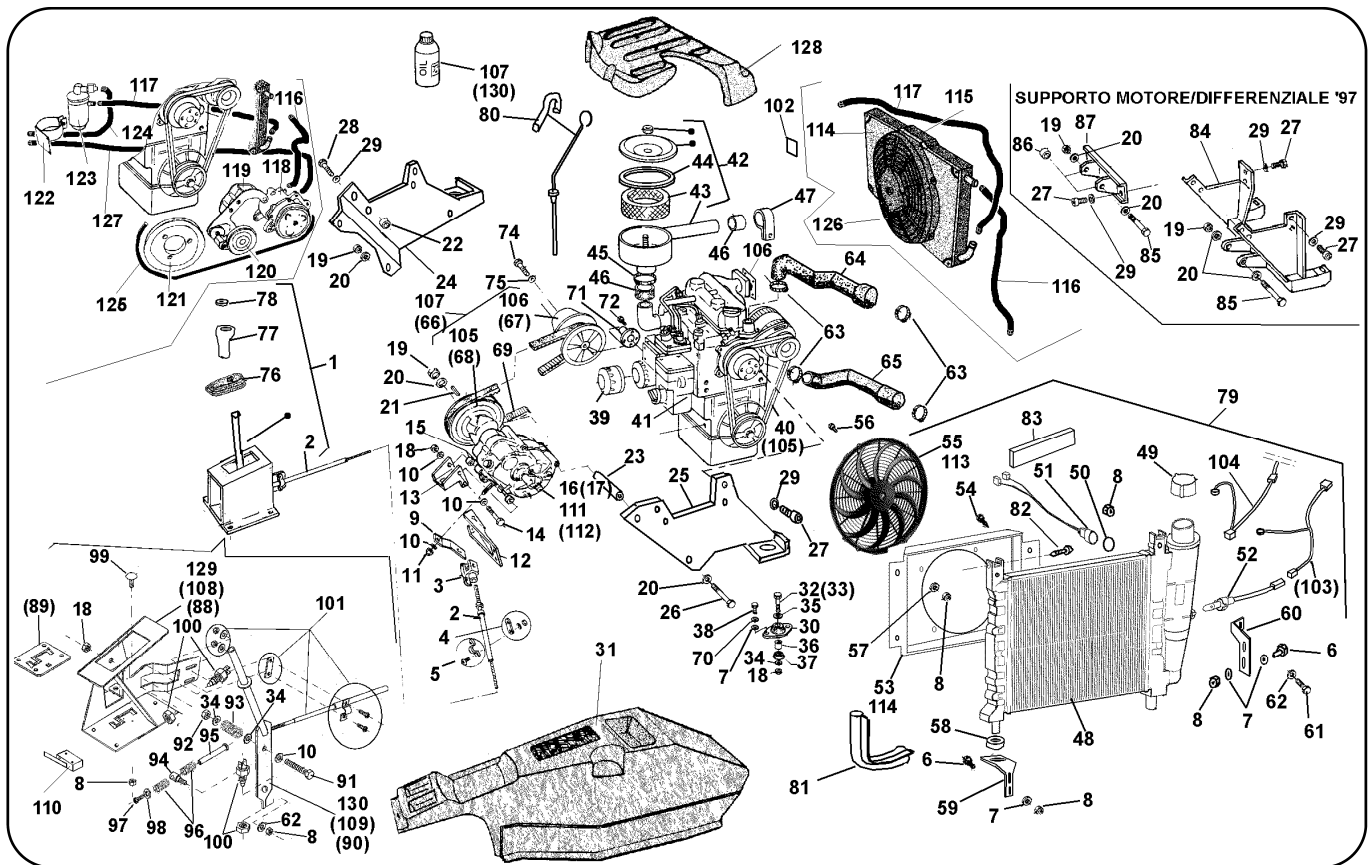
RIF.	CODICE-CODE	DESCRIZIONE
1	F0191000001	SEMIPUL MOTR/FIS 10/IBC CPL
2	F0191000002	RALLA IBC PUL/MOT 10
3	F0191000003	BOCCOLA PUL/MOT 10 FISSA
4	F0191000004	RONDELLA P/MOT 10 26*28H7
5	F0191000005	RONDELLA P/MOT 10 26*28H12
6	F0191000006	SEMIPUL MOTR/SCO 10/IBC CPL 1S
7	F0191000007	MOLLA PUL/MOT 10/IBC MASSA
8	F0191000008	MASSA CENT PUL/MOT 10 140gr 1S
9	F0191000009	PATTINO IBC PUL/MOT 10/NY 1S
10	F0191000010	RONDELLA P/MOT 10 F/MOL/pvcINT
11	F0191000011	MOLLA PUL/MOT 10/CO/BLEU
12	F0191000012	RONDELLA P/MOT 10 39*48H7
13	F0191000013	RONDELLA P/MOT 10 39*48H12
14	F0191000014	RONDELLA P/MOT 10 F/MOL/pvc 4L
15	F0191000015	ANELLO ELAST P/MOT 10IBC 65*14
16	F0191000016	RONDELLA P/MOT 10 25*20H12
17	F0191000017	RONDELLA P/MOT 10 25*20H7
18	F0191000018	CAMPANA P/VAR/MOT 10
19	F0191000019	RONDELLA P/MOT 10 20*45H3,5
20	C0321020000	DADO EB PF ZN M20*1,5H 9 5589
21	F0191000650	PULEG VAR/MOTR 10M/IBC 1S
22	F0191000036	SEMIPUL MOTR/SCO 10/IBC CPL 2S
23	F0191000037	MASSA CENT PUL/MOT 10 140gr 2S
24	F0191000038	PATTINO IBC PUL/MOT 10/NY 2S
25	F0191000691	PULEG VAR/MOTR 10M/IBC 2S
26	F0191000049	MOLLA PUL/MOT 10/CO/VIOLA
27	F0191000050	MASSA CENT PUL/MOT 10 210gr 3S

RIF.	CODICE-CODE	DESCRIZIONE
------	-------------	-------------



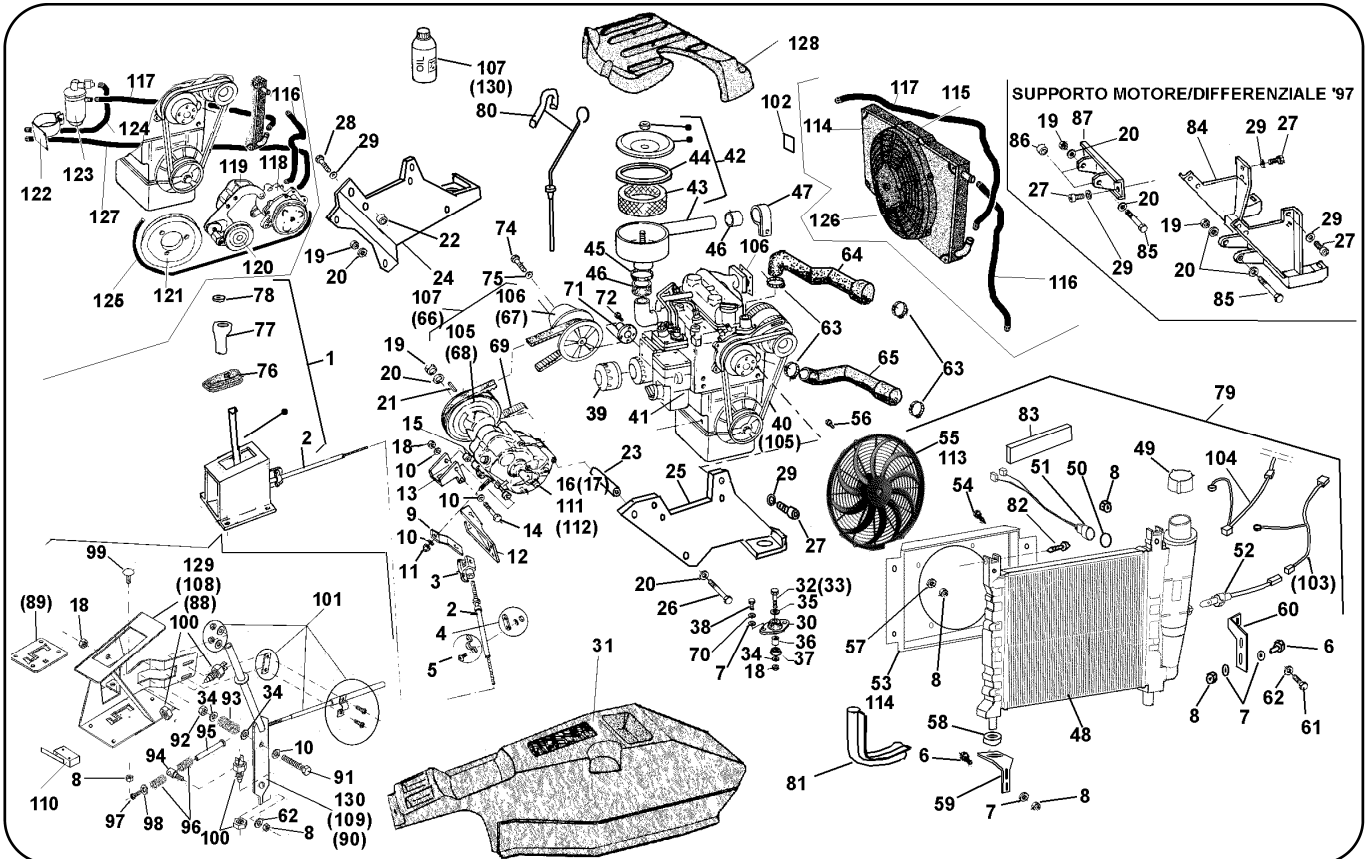
RIF.	CODICE-CODE	DESCRIZIONE
1	F0191000690	PULEG VAR/COND 10M/IBC 2S
2	F0191000039	SEMIPUL COND/FIS 10/IBC CPL 2S
3	F0191000041	RONDELLA P/MOT 10 39*48H7 2S
4	F0191000040	RONDELLA P/MOT 10 39*48H12 2S
5	F0191000042	SEMIPUL COND/SCO 10/IBC CPL 2S
6	F0191000043	ANELLO SEMIP COND/SCO 10/IBC
7	F0191000044	MOLLA PUL/COND 10/TO/ROSS 2S
8	F0191000045	CAMP/IN PUL/COND 10/IBC/3L 2S
9	F0191000046	MOLLA PUL/COND 10/TO/ARAN 2S
10	F0191000047	CAMP/ES PUL/COND 10/IBC/3L 2S
11	F0191000048	ANELLO ELAST P/CON 10IBC D30
12	F0191000651	PULEG VAR/COND 10M/IBC 1S
13	F0191000021	SEMIPUL COND/FIS 10/IBC CPL 1S
14	F0191000022	LINGUETTA P/COND 10IBC 6*6*16
15	C0141006020	VITE STEI 6*20 PUL/COND 10
16	F0191000012	RONDELLA P/MOT 10 39*48H7
17	F0191000013	RONDELLA P/MOT 10 39*48H12
18	F0191000025	ANELLO ELAST P/CON 10IBC ALB38
19	F0191000026	SEMIPUL COND/SCO 10/IBC CPL
20	F0191000027	PATTINO IBC PUL/COND 10/ABS
21	F0191000028	MOLLA PUL/COND 10/TO/BLEU
22	F0191000029	CAMPANA PUL/COND 10/IBC/3L.AL
23	F0191000031	ANELLO ELAST P/CON 10IBC D38

RIF.	CODICE-CODE	DESCRIZIONE
12	F0191000651	PULEG VAR/COND 10M/IBC 1S
13	F0191000021	SEMIPUL COND/FIS 10/IBC CPL 1S
14	F0191000022	LINGUETTA P/COND 10IBC 6*6*16
15	C0141006020	VITE STEI 6*20 PUL/COND 10
16	F0191000012	RONDELLA P/MOT 10 39*48H7
17	F0191000013	RONDELLA P/MOT 10 39*48H12
18	F0191000025	ANELLO ELAST P/CON 10IBC ALB38
19	F0191000026	SEMIPUL COND/SCO 10/IBC CPL
20	F0191000027	PATTINO IBC PUL/COND 10/ABS
21	F0191000028	MOLLA PUL/COND 10/TO/BLEU
22	F0191000029	CAMPANA PUL/COND 10/IBC/3L.AL
23	F0191000031	ANELLO ELAST P/CON 10IBC D38



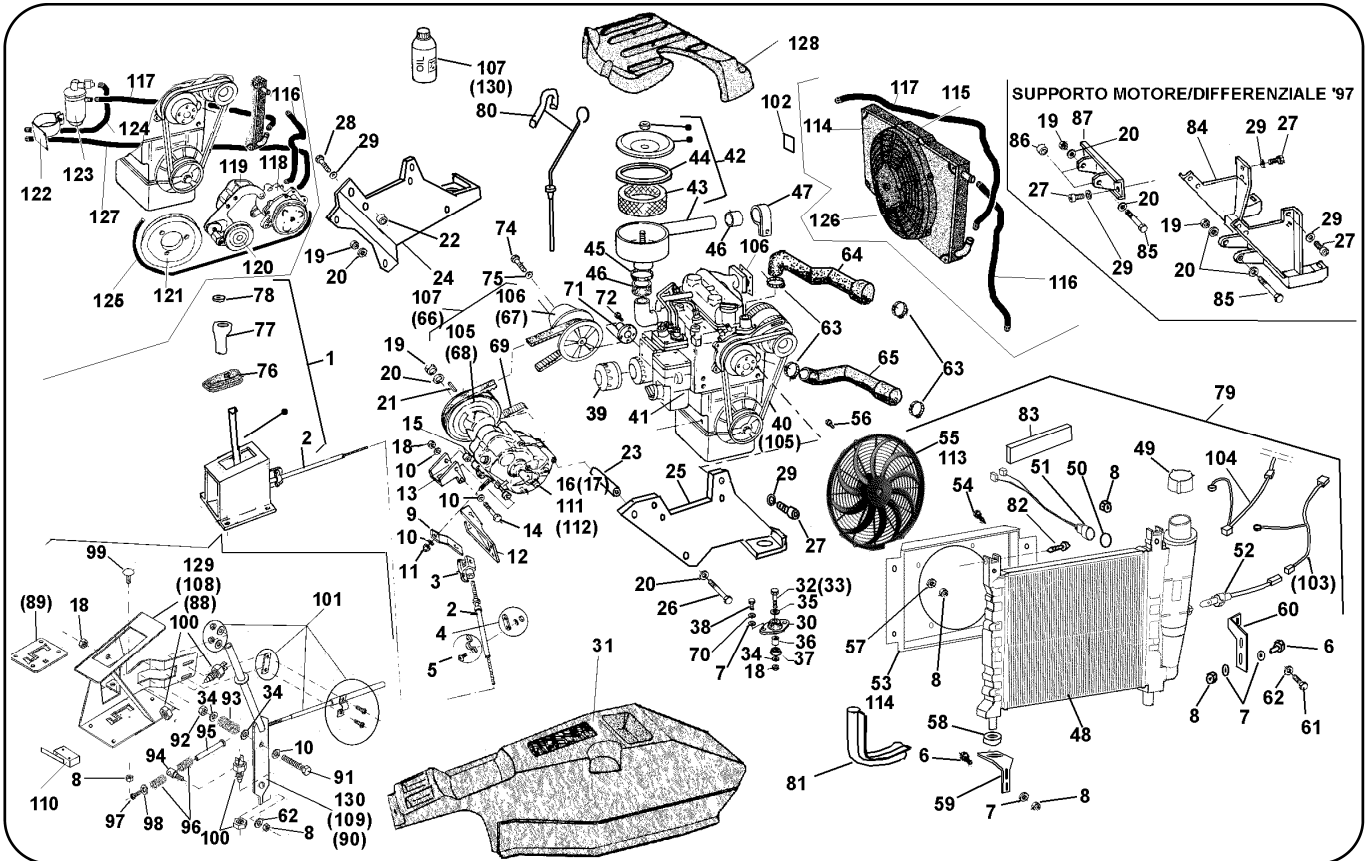
RIF.	CODICE-CODE	DESCRIZIONE
1	G9009021801	GP 10/8Me LEVA INVERT/CAS
2	F2158000102	CAVO T/S INDEM 33C/100 NUDO
3	F2158000103	FORCELLA CAVO M5*24 C/CLIP
4	F2158000104	MORSETTO STAFFA PER CAVO T/S
5	F2158000105	PIASTRA_INDEM PER CAVO T/S
6	C0106006020	VITE TE FI PG ZN 6* 20 5739
7	C0805066180	ROND BL 6 ZN 6,6*18*2 6593
8	C0370006000	DADO ABN PG ZN M 6/H 8 7473
9	P0132036500	SELET DIFF 10/INDEM ZN
10	C0800084170	ROND 8 ZN 8,4*17*1,6 6592
11	C0374008000	DADO ABB PG ZN M 8/H 8 7474
12	P0129036491	FERMACAVO INV 10 TN ZN
13	P0129035970	SUPP MOT 10M FORCELLA POST ZN
14	C0100008070	VITE TE FM PG ZN 8* 70 5737
15	P0110001850	DIST D16*3,5H 8 SUP/DIF10 ZN
16	F0040000631	DIFFER COMEX/SP 1: 8DE10 ST M
17	F0040000624	DIFFER COMEX/SP 1:10DE10 CL M
18	C0370008000	DADO ABN PG ZN M 8/H 9,5 7473
19	C0370012000	DADO ABN PG ZN M12/H14 7473
20	C0800130240	ROND 12 ZN 13*24*2,5 6592
21	P0022041820	LINGUETTA P/COND 10/65 FISS
22	P0110042200	DIST D22*6H 8 SUPP/MOT 10 ZN
23	P0110042110	DIST D22*4,5H 83 S/DIF 10M DX
24	P0729042050	SUPP MOT 10M PIASTRA SX CF
25	P0729042040	SUPP MOT 10M PIASTRA DX CF
26	C0102012200	VITE TE FM PG GR 12*200/210
27	C0123010020	VITE TCEI PF GR 10* 20 5932
28	C0106010030	VITE TE FI PG ZN 10* 30 5739

RIF.	CODICE-CODE	DESCRIZIONE
29	C0820010000	ROND GROWER GR/ZN 10
30	C5106786031	ANTIVIB ZOCOL W45 M10H35/192
31	P0030043190	CARTER PAVIM 10 ABS
32	C0100008080	VITE TE FM PG ZN 8* 80 5737
33	C0106010020	VITE TE FI PG ZN 10* 20 5739
34	C0805090240	ROND BL 8 ZN 9*24*2 6593
35	P0141039290	RONDELLA ACC 8*60*3 ANTIV10TN
36	P0010037781	DIST D12*2H 45 AVIB/MOT 10 2S
37	C5106786028	ANTIVIB ROND FPA60 D8/55 H15
38	C0106008020	VITE TE FI PG ZN 8* 20 5739
39	F0098000008	FILTRO OLIO 10M/CARTUC
40	F0098000011	CINGH/MITS AL/POM 10 SPZ 888TC
41	F0098000002	MOTORE MIT L2C 4KW
42	F0098000005	FILTRO ARIA 10M CPL 11901
43	F0098000007	FILTRO ARIA 10M CART 11210
44	Z0207007004	GUARNIZ SPUGNA ADES 75*45
45	C5130043047	FASCETTA A VITE 32-50
46	P0060012860	MANICOTTO GOM/CARB 48*4*150
47	P0129036520	SUPP FILTRO ARIA 10M ZN
48	F2105000020	RADIATORE RAFF 10 NUDO LAT
49	F2153000005	TAPPO SERB/LIQ RAFF 10/LAT
50	C5100003075	OR 3075 19/24 18,72*2,62
51	F0089000011	BULBO TERMO/VENT RAF 10/LAT 2S
52	F0499000150	SONDA LIVELLO LIQUIDO RAD 10
53	P0029040460	SUPP VENT RAD 10/1V LAT ST ABS
54	C0220006012	VITE TBLIC FI PG 6* 12 KFR
55	F2105000008	VENTOLA RAFF/MOT 10 D255 STD
56	C0106006016	VITE TE FI PG 6* 16 5739



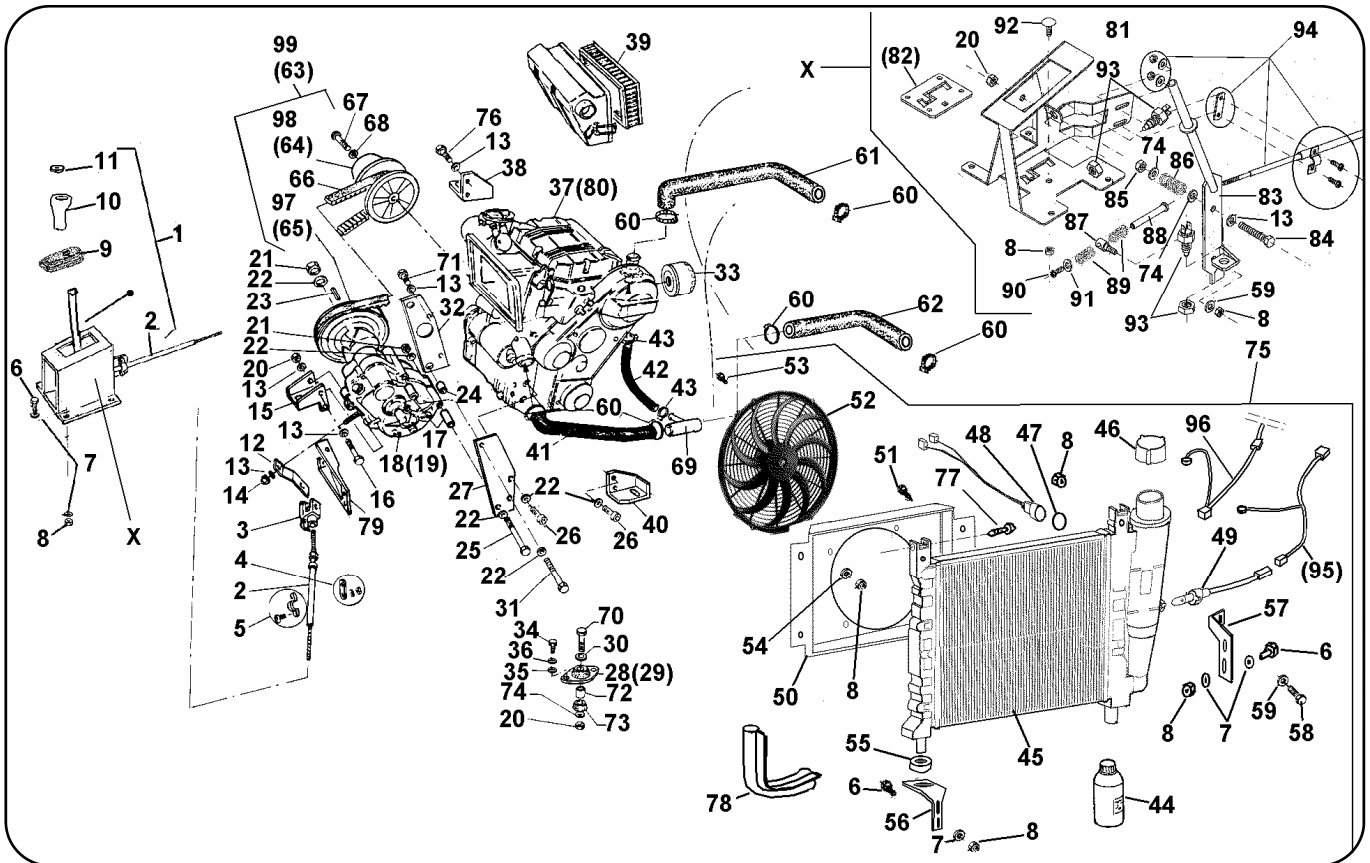
RIF.	CODICE-CODE	DESCRIZIONE
57	C0826006000	ROND DENTATA 6 8842
58	F0114000024	PASSACAVO D24/14H30 GOMMA 2010
59	P0129040480	SUPP RADIAT 10M/LAT INF ZN
60	P0129040470	SUPP RADIAT 10M/LAT SUP ZN
61	C0106006035	VITE TE PG ZN 6* 35 5739
62	C0800064125	ROND 6 ZN 6,4*12,5*1,6 6592
63	C5130024036	FASCETTA A VITE 29-31/25-40
64	P0060040440	MANICOTTO GOM D34/27 10SUP/TN
65	P0060040450	MANICOTTO GOM D34/27 10INF/TN
66	G0060020791	GR VARIATORE 10M IBC CPL 1S
67	F0191000650	PULEG VAR/MOTR 10M/IBC 1S
68	F0191000651	PULEG VAR/COND 10M/IBC 1S
69	F0191000653	CINGH VAR B3211AA1141 10M/VER
70	C0816006000	ROND GROWER GR/ZN 6
71	P0016035380	ALBERO 10M MOT/VAR D66/30 H68
72	C0123010035	VITE TCEI PF GR 10* 35 5932
73	U3200000110	ANTIGELO CIRCUITO RAFFREDDAM
74	C0100010150	VITE TE FM PG ZN 10*150 5737
75	C0805110300	ROND BL 10 ZN 11*30*2,5 6593
76	F2146000010	SOFFIET LEVA INDEMAR 10
77	F2159000009	POMOLO D11,7*80,6 LEV/INV 103S
78	P0014041830	ADESIVO 10 POMOLO INVERTITORE
79	G0003020852	GP 10 RADIATORE RAFF LAT STD
80	E0721005000	GUAINA_CAVO ELETTRICO D 5 TERM
81	Z0201790428	GUARNIZ VANO PORTA STD
82	C0552042250	VITE AF TCBC NI 4,2*25/6 6954
83	P0060042320	INSONOR 10 RADIAT LAT 320*42
84	A0729080910	SUPP MOT 10M CPL VN

RIF.	CODICE-CODE	DESCRIZIONE
85	C0102012130	VITE TE FM PG ZN 12*130 5737
86	P0110036880	DIST D20*4H 7 DIFF 10M ZN
87	A0729080920	SUPP DIFF 10M CPL VN
88	P0129041320	SUPP LEVA INV 10 GUID ZN 1S
89	P0121041690	SUPP LEVA INV 10 PIAS GUIDA ZN
90	A0132081700	LEVA INV 10 GUID ZN 1S
91	C0100008050	VITE TE FM PG ZN 8* 50 5737
92	C0310008000	DADO EN PG ZN M 8/H 6,5 5588
93	P0001003640	MOLLA CO/D19* 33*2,8 INV 10 3S
94	P0160041800	NOTTOLINO D12/8M6H31/18/13 ZN
95	P0103041790	BOCCOLA M 5* 8H62/3 LEVA INV10
96	P0001041780	MOLLA CO/D12* 27*1,6 L/INV10
97	C0175005012	VITE TCIC FI PG ZN 5* 12 7985
98	C0805055150	ROND BL 5 ZN 5,5*15*1,6 6593
99	C0573006016	VITE TBLCCombi ZN 6*16
100	F0089000003	INTERRUT RETRO MATIC 909050
101	G0014021700	CAVO T/S CAS 33C/100 CPL INV10
102	P0014032720	ADESIVO 10/65 EMISSIONE MOTORE
103	P0060042430	CABLAGGIO TEL 10M CT.AD L/RAD
104	P0060040562	CABLAGGIO TEL 10ML CT ANT 3S
105	F0098000091	CINGH/MITS AL/POMP 10 TL
106	F0098000012	GUARNIZIONE MITS 538 SCARICO
107	U3200000105	OLIO MOTORE DIESEL 15W40
108	P0129041321	SUPP LEVA INV 10 GUID ZN 2S
109	A0132081701	LEVA INV 10 GUID ZN 2S
110	F2158000108	INTERRUT RETRO INDEMAR 10/65
111	F0040000650	DIFFER COMEX/SP 1: 8DE10 ST F
112	F0040000651	DIFFER COMEX/SP 1:10DE10 CL F



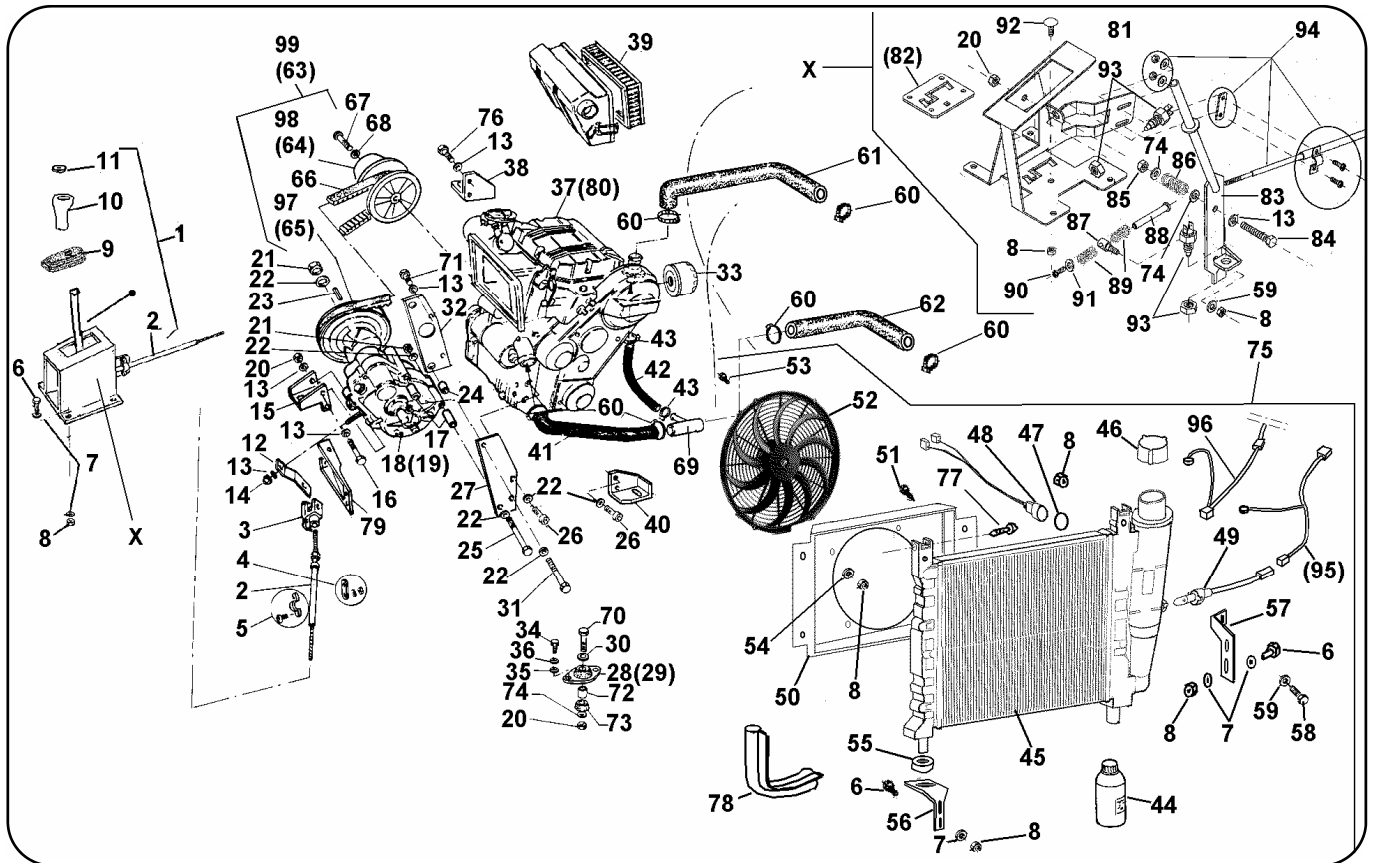
RIF.	CODICE-CODE	DESCRIZIONE
113	F210500026	VENTOLA RAFF/MOT 10 D280 CLIMA
114	F2105000208	CONVOGLIAT CONDENSATORE CLIMA
115	F2105000206	CONDENSATORE CLIMA NUDO
116	F2105000232	TUBO CLIMA 13/32" COMPR>CONDEN
117	F2105000230	TUBO CLIMA 5/16" CONDEN>ESSIC
118	F2105000200	COMPRESSORE CLIMA
119	A0129081870	SUPP COMPRES CLIMA ZN
120	F2105000202	PULEGGIA COMPRES CLIMA TENDITR
121	F2105000201	PULEGGIA COMPRES CLIMA MOTRICE
122	A0129081880	SUPP ESSICCATORE CLIMA ZN
123	F2105000210	ESSICCATORE CLIMA
124	F2105000231	TUBO CLIMA 5/16" RISCA>ESSIC
125	C5140003000	CINGHIA SPZ 770 CLIMA
126	F2105000207	VENTOLA CONDENSATORE CLIMA
127	F2105000236	TUBO CLIMA 5/16" RISCA/COMPR
128	G9003022540	GP 10 CARTER MOT SUP
129	P0129041322	SUPP LEVA INV 10 GUID ZN 3S
130	A0132081701	LEVA INV 10 GUID ZN 2S
131	U3200000100	OLIO DIFFERENZ ROTRA MP-80/90

RIF.	CODICE-CODE	DESCRIZIONE
------	-------------	-------------



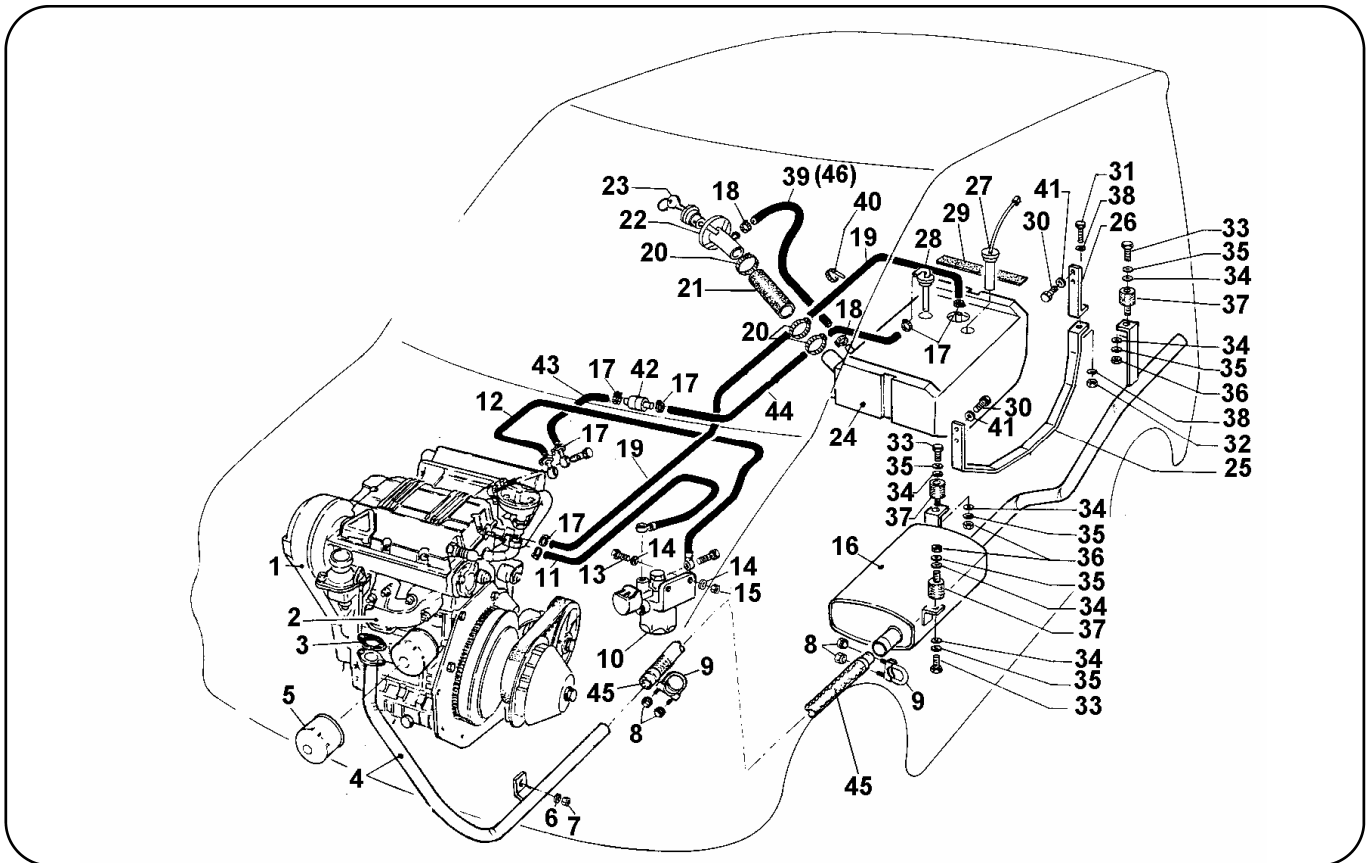
RIF.	CODICE-CODE	DESCRIZIONE
1	G9009021800	GP 10 LEVA INVERT/CASALINI
2	F2158000102	CAVO T/S INDEM 33C/100 NUDO
3	F2158000103	FORCELLA CAVO M5*24 C/CLIP
4	F2158000104	MORSETTO STAFFA PER CAVO T/S
5	F2158000105	PIASTRA_INDEM PER CAVO T/S
6	C0106006020	VITE TE FI PG ZN 6* 20 5739
7	C0805066180	ROND BL 6 ZN 6,6*18*2 6593
8	C0370006000	DADO ABN PG ZN M 6/H 8 7473
9	F2146000010	SOFFIET LEVA INDEMAR 10
10	F2159000009	POMOLO D11,7*80,6 LEV/INV 103S
11	P0014041830	ADESIVO 10 POMOLO INVERTITORE
12	P0132036500	SELET DIFF 10/INDEM ZN
13	C0800084170	ROND 8 ZN 8,4*17*1,6 6592
14	C0374008000	DADO ABB PG ZN M 8/H 8 7474
15	P0129030540	SUPP MOT 10L FORCELLA POST ZN
16	C0100008055	VITE TE FM PG ZN 8* 55 5737
17	P0110035300	DIST D22*4H 76 S/DIF 10L DX ZN
18	F0040000631	DIFFER COMEX/SP 1: 8DE 10/65TN CK
19	F0040000564	DIFFER COMEX/SP 1: 8DE 10/65TV CK
20	C0370008000	DADO ABN PG ZN M 8/H 9,5 7473
21	C0370012000	DADO ABN PG ZN M12/H14 7473
22	C0800130240	ROND 12 ZN 13*24*2,5 6592
23	P0022041820	LINGUETTA P/COND 10/65 FISS
24	P0110035310	DIST D22*4H 30 S/DIF 10L SX ZN
25	C0102012240	VITE TE FM PG GR 12*240 5737
26	C0120012020	VITE TCEI PG ZN 12* 20 5931
27	P0121035290	SUPP DIFF 10L PIASTRA ZN
28	C5106786027	ANTIVIB ZOCCOL W45 M10H25/I68

RIF.	CODICE-CODE	DESCRIZIONE
29	C5106786025	ANTIVIB ZOCCOL K50 M10H24/I68
30	P0141039290	RONDELLA ACC 8*60*3 ANTIV10TN
31	C0102012200	VITE TE FM PG GR 12*200/210 57
32	P0121035280	SUPP DIFF 10L PIAST/M AVV ZN
33	F0099000337	FILTRO OLIO 10L/65 CARTUC 21
34	C0230006016	VITE TBEI FI PG 6* 16 7380
35	C0800064125	ROND 6 ZN 6,4*12,5*1,6 6592
36	C0816006000	ROND GROWER GR/ZN 6
37	F0099000345	MOTORE D/LOMB 502 4KW 10/65 38
38	P0129030520	SUPP MOT 10L ANT SX ZN
39	F0099000338	FILTRO ARIA 65 CARTUC 2175132
40	P0129030530	SUPP MOT 10L ANT DX ZN
41	P0060037630	_MANICOTTO GOM D28/25*255/90L1 ve
42	Z0102013021	TUBO_TELA/RISC 65/93/4 D12*19
43	C5130009016	FASCETTA A VITE 9-22/12-22
44	U3200000110	ANTIGELO CIRCUITO RAFFREDDAM
45	F2105000020	RADIATORE RAFF 10 NUDO LAT
46	F2153000005	TAPPO SERB/LIQ RAFF 10/LAT
47	C5100003075	OR 3075 19/24 18,72*2,62
48	F0089000011	BULBO TERMO/VENT RAF 10/LAT 2S
49	F0499000150	SONDA LIVELLO LIQUIDO RAD 10
50	P0029040460	SUPP VENTOLA RAD 10/1V LAT ABS
51	C0220006012	VITE TBMIC FI PG 6* 12 KFR
52	F2105000008	VENTOLA RAFF/MOT 10 D255
53	C0106006016	VITE TE FI PG 6* 16 5739
54	C0826006000	ROND DENTATA 6 8842
55	F0114000024	PASSACAVO D24/14H30 GOMMA 2010
56	P0129040480	SUPP RADIAT 10M/LAT INF ZN



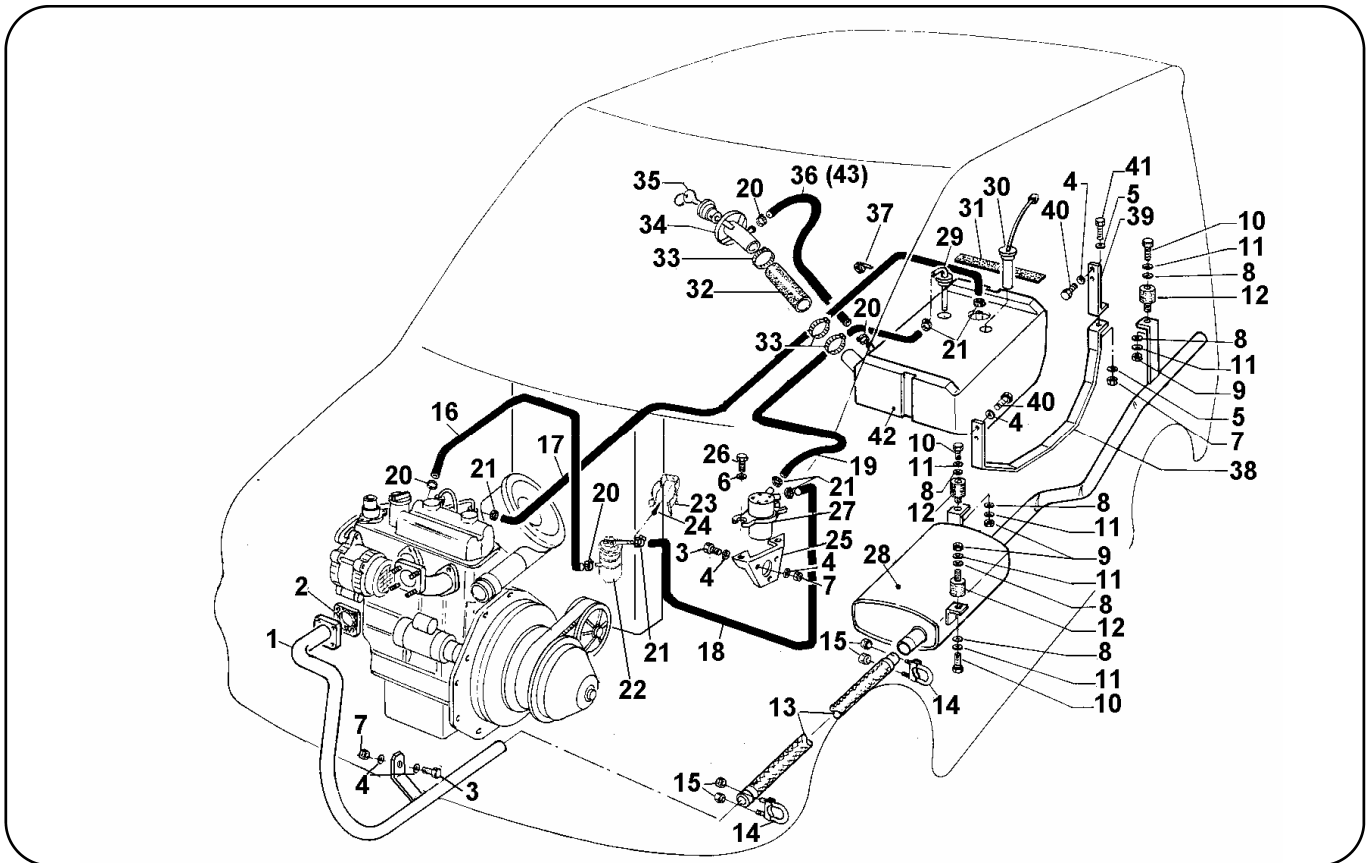
RIF.	CODICE-CODE	DESCRIZIONE
57	P0129040470	SUPP RADIAT 10M/LAT SUP ZN
58	C0106006035	VITE TE FI PG ZN 6* 35 5739
59	C0800064125	ROND 6 ZN 6,4*12,5*1,6 6592
60	C5130024036	FASCETTA A VITE 29-31/25-40
61	P0060040440	MANICOTTO GOM D34/27 10SUP/TN PR
62	P0060040450	MANICOTTO GOM D34/27 10INF/TN PR
63	G0060020791	GR VARIATORE 10/8L CPL IBC
64	F0191000650	PULEG VAR/MOTR 10M/IBC PC
65	F0191000651	PULEG VAR/COND 10M/IBC SC
66	F0191000653	CINGH VAR B3211AA1141 10M/IBC ex
67	C0100010150	VITE TE FM PG ZN 10*150 5737
68	C0805110300	ROND BL 10 ZN 11*30*2,5 6593
69	F0099000358	RACCORDO RAF/10L 3V D10/27
70	C0100008065	VITE TE FM PG ZN 8* 65 5737
71	C0100008060	VITE TE FM PG ZN 8* 60 5737
72	P0010037780	DIST D12*2H 34,5 AVIB/MOT 10
73	C5106786028	ANTIVIB ROND FPA60 D8/55 H15
74	C0805090240	ROND BL 8 ZN 9*24*2 6593
75	G0003020852	GP 10 RADIATORE RAFF CPL/ LAT
76	C0106008020	VITE TE FI PG ZN 8* 20 5739
77	C0552042250	VITE AF TCBIC NI 4,2*25/6 6954
78	Z0201790428	GUARNIZ VANO PORTA STD
79	P0129036490	FERMACAVO INV 10/INDEM ZN
80	F0099000346	MOTORE D/LOMB 502 9KW 18
81	P0129041320	SUPP LEVA INV 10 GUID ZN
82	P0121041690	SUPP LEVA INV 10 PIAS GUIDA ZN
83	A0132081700	LEVA INV 10 GUID ZN
84	C0100008050	VITE TE FM PG ZN 8* 50 5737

RIF.	CODICE-CODE	DESCRIZIONE
85	C0310008000	DADO EN PG ZN M 8/H 6,5 5588
86	P0001003640	MOLLA CO/D19* 33*2,8 INV 10 3S
87	P0160041800	NOTTOLINO D12/8M6H31/18/13 ZN
88	P0103041790	BOCCOLA M 5* 8H62/3 LEVA INV10
89	P0001041780	MOLLA CO/D12* 27*1,6 L/INV10
90	C0175005012	VITE TCIC FI PG ZN 5* 12 7985
91	C0805055150	ROND BL 5 ZN 5,5*15*1,6 6593
92	C0573006016	VITE TBL COMBI ZN 6*16
93	F0089000003	INTERRUT RETRO MATIC 909050
94	G0014021700	CAVO T/S CAS 33C/100 CPL INV10
95	P0060042430	CABLAGGIO TEL 10M CT.AD L/RAD
96	P0060040562	CABLAGGIO TEL 10M/L CT ANT 3S
97	F0191000690	PULEG VAR/COND 10M/IBC 2S
98	F0191000691	PULEG VAR/MOTR 10M/IBC 2S
99	G0060020631	GR VARIATORE 10/8L CPL 2T/IBC



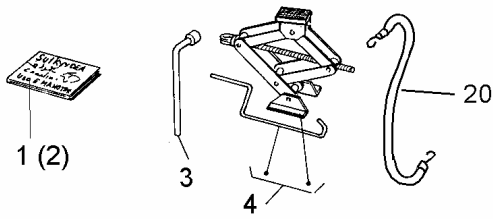
RIF.	CODICE-CODE	DESCRIZIONE
1	F0099000345	MOTORE D/LOMB 502 4KW 10/65
2	F0099000343	COLLET SCAR LOMB FOCS
3	F0099000339	GUARNIZIONE LOMB 502 SCARICO
4	A0709080800	TUBO SCAR 10L 1PZ/Di30 CPL
5	F0099000337	FILTRO OLIO 10L/65 CARTUC
6	C0800130240	ROND 12 ZN 13*24*2,5 6592
7	C0320012000	DADO EB PG ZN M12/H 7 5589
8	C0314006000	DADO EN PG NX M 6/H 5 5588
9	C5131100000	FASCETTA A STAFFA 1"
10	F0099000336	FILTRO NAFT 10/65 CART 2175045
11	F0099000351	TUBO LOMB ELETROV/MOT L620 65
12	F0099000350	TUBO LOMB POMPA/FILTRO L500 65
13	C0106008030	VITE TE FI PG ZN 8* 30 5739
14	C0800084170	ROND 8 ZN 8,4*17*1,6 6592
15	C0370008000	DADO ABN PG ZN M 8/H 9,5 7473
16	A0760080810	MARMITTA DIESEL 10/8 Di30 CPL
17	C5130009000	FASCETTA A VITE 0-9/10-12
18	C5130009016	FASCETTA A VITE 9-22/12-22
19	Z0102005010	TUBO_TELA/CARB D 5*10
20	C5130060090	FASCETTA A VITE 60-90
21	P0060038430	MANICOTTO GOM/CARB 67*5*430
22	A0760081250	BOCCHETTA SERB CPL 10 D60 CF
23	F0188000005	TAPPO SERB D58 C/CHIAVE 10/18
24	P0060038860	SERBAT CARB PLASTICA 10 TN
25	A0160081240	FASCIA SERB/CARB 10 TN/ANT ZN
26	A0160081230	FASCIA SERB/CARB 10 TN/POST ZN
27	F0499000107	SONDA RISERVA A PRESSIONE 10
28	F0499000108	SONDA PESCANTE CARB 10

RIF.	CODICE-CODE	DESCRIZIONE
29	Z0207025005	GUARNIZ SPUGNA ADES 200*50
30	C0106006016	VITE TE FI PG 6* 16 5739
31	C0106006035	VITE TE FI PG ZN 6* 35 5739
32	C0370006000	DADO ABN PG ZN M 6/H 8 7473
33	C0106008016	VITE TE FI PG ZN 8* 16 5739
34	C0800084170	ROND 8 ZN 8,4*17*1,6 6592
35	C0816008000	ROND GROWER GR/ZN 8
36	C0310008000	DADO EN PG ZN M 8/H 6,5 5588
37	C5105020030	ANTIVIB MAR10 M8*20/M8 D30H40
38	C0800064125	ROND 6 ZN 6,4*12,5*1,6 6592
39	Z0102013019	TUBO_TELA/CARB D13*19 SFIATO10
40	E0723005309	FASCETTA L140*3,6 5309
41	C0805066180	ROND BL 6 ZN 6,6*18*2 6593
42	F2139000002	FILTRO NAFT 10/65 ADDIZIONALE
43	Z0102005010	TUBO_TELA/CARB D 5*10
44	Z0102005010	TUBO_TELA/CARB D 5*10
45	P0009025520	TUBO SCAR FLEX 10/65 De30*565
46	P0060038780	MANICOTTO GOM D22*3.5*700

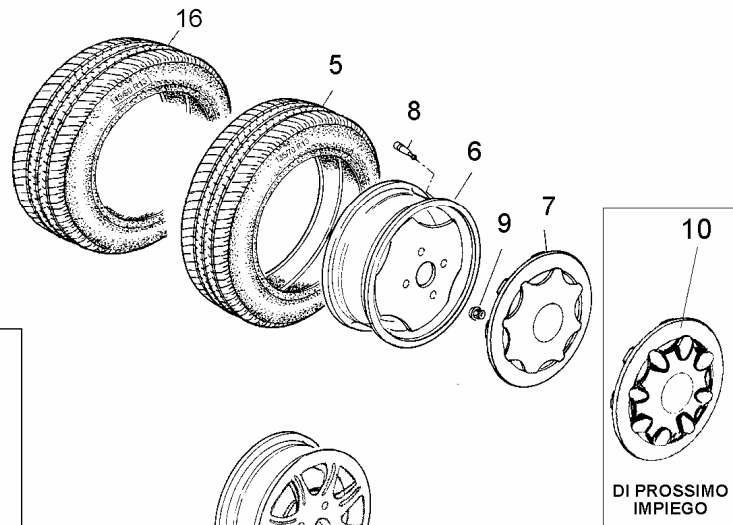


RIF.	CODICE-CODE	DESCRIZIONE
1	A0709080930	TUBO SCAR 10M 1PZ/Di30 CPL
2	F0098000012	GUARNIZIONE MITS 538 SCARICO
3	C0106006020	VITE TE FI PG ZN 6* 20 5739
4	C0805066180	ROND BL 6 ZN 6,6*18*2 6593
5	C0800064125	ROND 6 ZN 6,4*12,5*1,6 6592
6	C0810006002	ROND BL 6 ZN 6,6*24*2 SPEC
7	C0370006000	DADO ABN PG ZN M 6/H 8 7473
8	C0800084170	ROND 8 ZN 8,4*17*1,6 6592
9	C0370008000	DADO ABN PG ZN M 8/H 9,5 7473
10	C0106008016	VITE TE FI PG ZN 8* 16 5739
11	C0816008000	ROND GROWER GR/ZN 8
12	C5105020030	ANTIVIB MAR10 M8*20/M8 D30H40
13	P0009025520	TUBO SCAR FLEX 10/65 De30*565
14	C5131100000	FASCETTA A STAFFA 1"
15	C0314006000	DADO EN PG NX M 6/H 5 5588
16	Z0102007013	TUBO_TELA/CARB D 7.5*14.5
17	Z0102005010	TUBO_TELA/CARB D 5*10
18	Z0102005010	TUBO_TELA/CARB D 5*10
19	Z0102005010	TUBO_TELA/CARB D 5*10
20	C5130009016	FASCETTA A VITE 9-22/12-22
21	C5130009000	FASCETTA A VITE 0-9/10-12
22	F0098000054	FILTRO NAFT 10M CPL TN 435190
23	F0098000055	SUPP FILTRO GASOLIO 10M 400880
24	C5001048100	RIVETTO A FIORE
25	P0129036400	SUPP POMPA CARB 10M ZN
26	C0106006030	VITE TE FI PG ZN 6* 30 5739
27	F0098000009	POMPA CARB NAFTA MITS 30A60
28	A0760080810	MARMITTA DIESEL 10/8 Di30 CPL

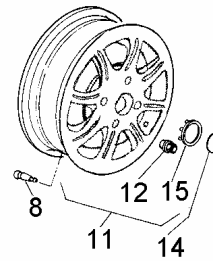
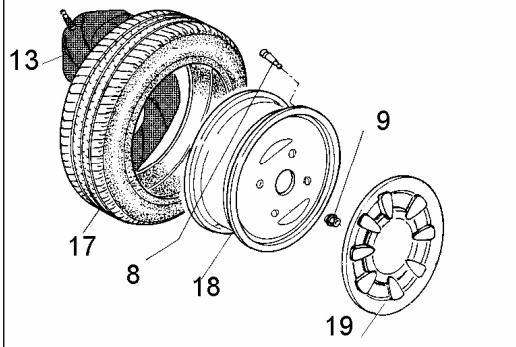
RIF.	CODICE-CODE	DESCRIZIONE
29	F0499000108	SONDA PESCANTE CARB 10
30	F0499000107	SONDA RISERVA A PRESSIONE 10
31	Z0207025005	GUARNIZ SPUGNA ADES 200*50
32	P0060038430	MANICOTTO GOM/CARB 67*5*430
33	C5130060090	FASCETTA A VITE 60-90
34	A0760081250	BOCCHETTA SERB CPL 10 D60 CF
35	F0188000005	TAPPO SERB D58 C/CHIAVE 10/18
36	Z0102013019	TUBO_TELA/CARB D13*19 SFIATO10
37	E0723005309	FASCETTA L140*3,6 5309
38	A0160081240	FASCIA SERB/CARB 10 TN/ANT ZN
39	A0160081230	FASCIA SERB/CARB 10 TN/POST ZN
40	C0106006016	VITE TE FI PG 6* 16 5739
41	C0106006035	VITE TE FI PG ZN 6* 35 5739
42	P0060038860	SERBAT CARB PLASTICA 10 TN
43	P0060038780	MANICOTTO GOM D22*3.5*700



#### GRUPPO RUOTE 13"



#### GRUPPO RUOTA 10"



RIF.	CODICE-CODE	DESCRIZIONE
1	P0060037580	LIBRETTO USO/MANUT 10M
2	P0060036820	LIBRETTO USO/MANUT 10L
3	F2129000004	CHIAVE RUOTA/10 SCORTA 19mm
4	F2130000001	CRICCO C/MANOVELLA
5	F2135000008	COPERTURA 135/70-R13 10
6	P0060039420	CERCHIO 400/13 10/ACC
7	P0060039530	COPRICERCHIO RUOTA ADECO 13"1S
8	F2183000100	VALVOLA TUBLESS
9	F0040000538	DADO_COMEX ES M10 FIS/RUOTA 6
10	P0060039531	COPRICERCHIO RUOTA ADECO 13"2S
11	P0060040490	CERCHIO 400/13 10/LEGA C/DADI
12	C0300000000	SET DADI CERCHIO LEGA MIM/BWA
13	F2134000003	CAMERA 30/80 STD 400/450*10
14	P0014041120	ADESIVO DROP TONDO CAS CERCHI
15	C5200000010	TAPPO CERCHIO LEGA BWA
16	F2135000009	COPERTURA.145/60-R13 10 COMPAC
17	F2135000005	COPERTURA 145/80-10 10/SRL
18	P3460038640	CERCHIO 350/10 10TIT VN
19	P0060038650	COPRICERCHIO RUOTA ADECO 10"
20	F2127000001	ELASTICO CRICCO RUOTA SCORTA

RIF.	CODICE-CODE	DESCRIZIONE
------	-------------	-------------